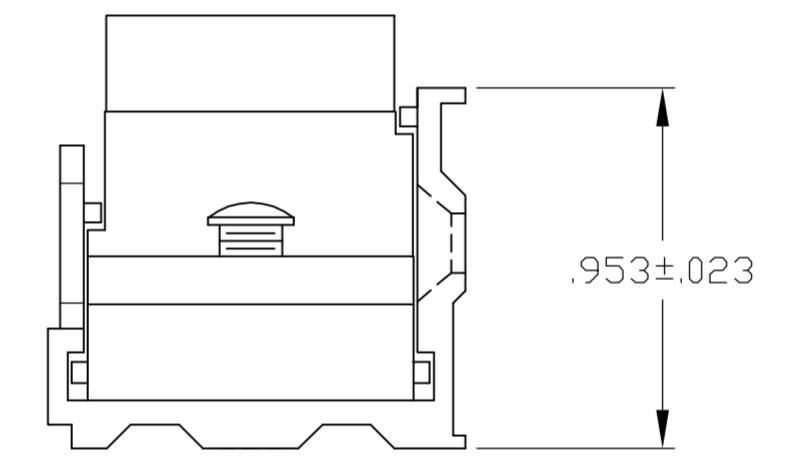
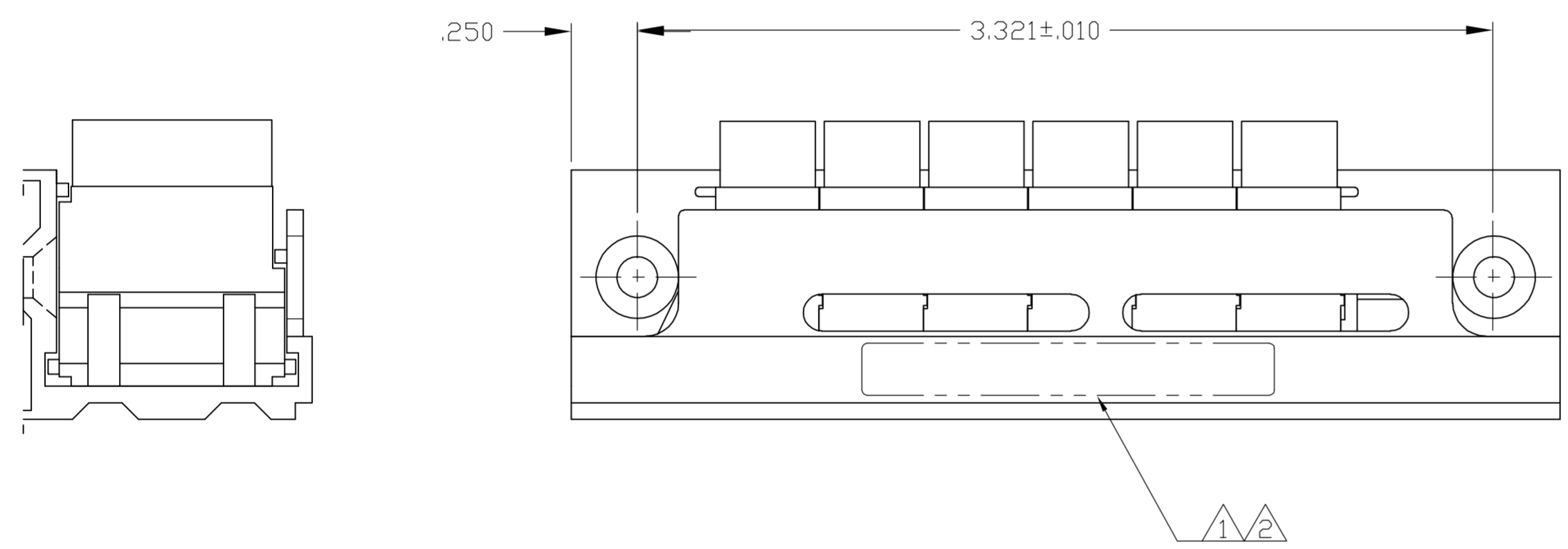
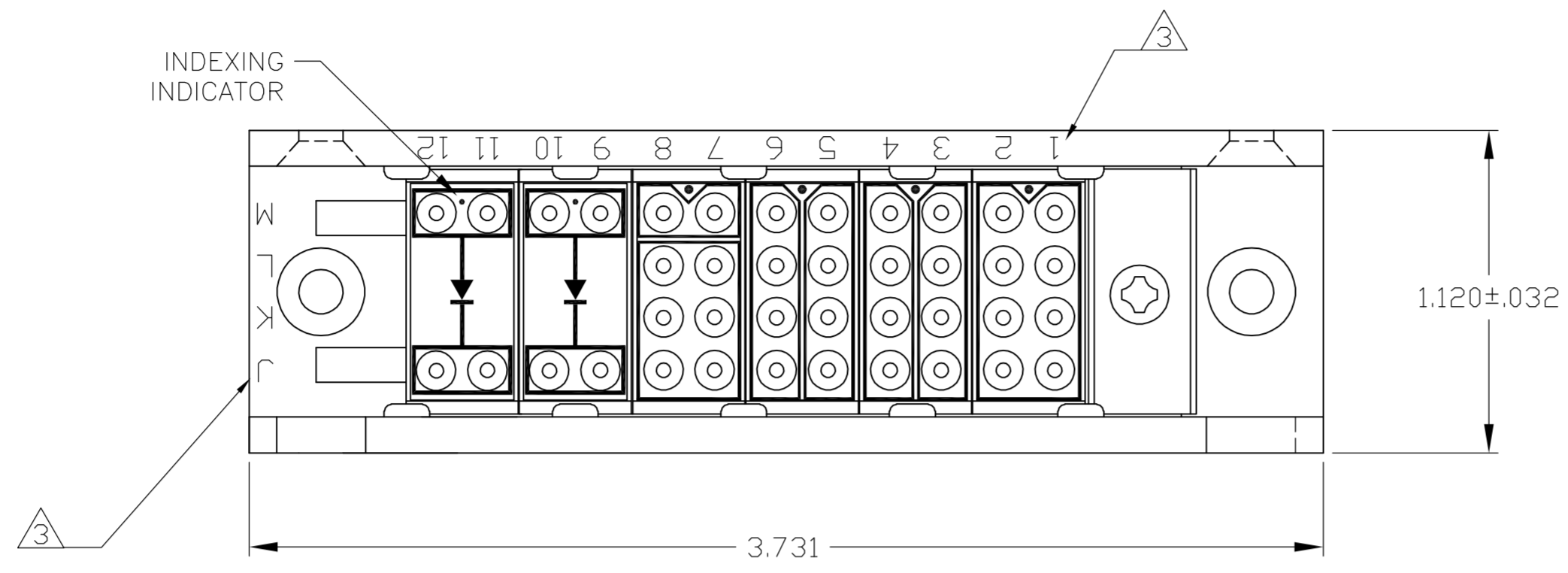


THIS DRAWING IS UNPUBLISHED. RELEASED FOR PUBLICATION
 © COPYRIGHT BY TYCO ELECTRONICS CORPORATION. ALL RIGHTS RESERVED.

LOC		DIST		REVISIONS			
P	LTR	DESCRIPTION		DATE	DWN	APVD	
DF	A0	C		REV PER ECO 06-00669	1-16-06	CT	DE



- ① CUSTOMER PART NO. 12220BE-01A, MARKED IN AREA SHOWN.
- ② RAIL MARKED WITH "AMP", AMP PART NUMBER AND DATE CODE IN AREA SHOWN.
- ③ TOP OF RAIL ASSEMBLY MARKED WITH ZONE IDENTIFICATION AS SHOWN.
- ④ ROLLS-ROYCE QUALITY SPECIFICATION CQC-103 IS INVOKED.

② ③	5-591629-1
SUPERSEDED BY -1	591629-2
① ② ③ ④	591629-1
REMARKS	PART NO.

THIS DRAWING IS A CONTROLLED DOCUMENT.		DWN	C.C.THOMAS	16JAN2006
DIMENSIONS: INCHES		CHK	D.EABY	1-16-06
TOLERANCES UNLESS OTHERWISE SPECIFIED:		APVD	D.EABY	1-16-06
0 PLC	± -	PRODUCT SPEC		
1 PLC	± -	APPLICATION SPEC		
2 PLC	± -			
3 PLC	± .015			
4 PLC	± -			
ANGLES	± -			
FINISH	-	WEIGHT		
MATERIAL		CUSTOMER DRAWING		

NAME	MODULE BLOCK/MOUNTING RAIL ASSY, SIZE 16, TJ		
SIZE	CAGE CODE	DRAWING NO	RESTRICTED TO
A2	00779	C=591629	-
SCALE		SHEET	REV
2:1		1 of 1	C