

MICRO SWITCH

FREEPORT ILLINOIS, U.S.A.
A DIVISION OF HONEYWELL

FED. MFG. CODE 91929

PACKET

CATALOG LISTING

3PAI-BP

S

3PAI-BP

M

DRAWING NUMBER

X

ISSUE 3

CHECK

REVISIONS

A C054735

T S K

25 NOV 85

B CO 7304

J W

29 JUL 92

CHECK

LSD 10 NOV 69

CHECK

LSD 10 NOV 69

CHECK

M B S 7 NOV 69

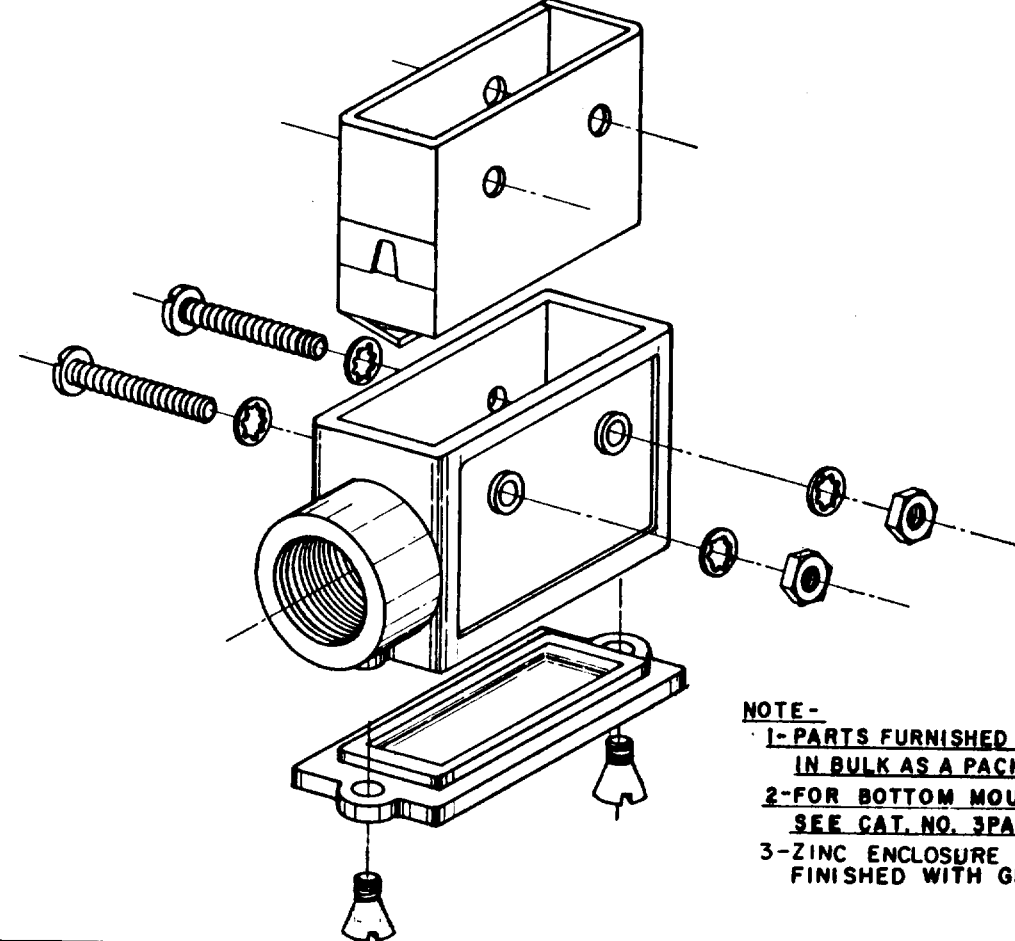
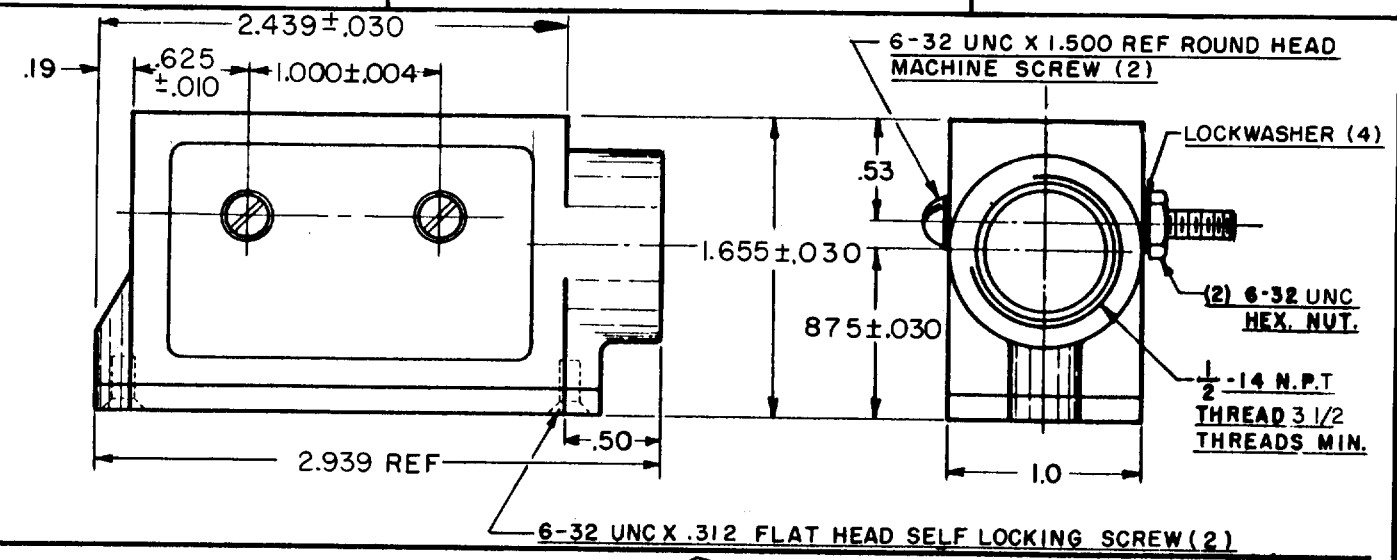
DRAWN

FO-50378-1A

REPLACES

PR-945

RELEASE NO.



NOTE -
 1- PARTS FURNISHED UNASSEMBLED
 IN BULK AS A PACKET.
 2- FOR BOTTOM MOUNTING UNIT
 SEE CAT. NO. 3PA2.
 3- ZINC ENCLOSURE
 FINISHED WITH GRAY PAINT

THIS DRAWING COVERS A PROPRIETARY ITEM AND IS THE PROPERTY OF MICRO SWITCH, A DIVISION OF HONEYWELL. THIS DRAWING IS NOT TO BE COPIED OR USED WITHOUT THE APPROVAL OF MICRO SWITCH.

CHARACTERISTICS	ELECTRICAL DATA	SCALE FULL
	CONTACT ARRANGEMENT	DO NOT SCALE PRINT
		UNLESS OTHERWISE NOTED
		DIMENSIONS ARE IN INCHES
		TOLERANCES ARE:
		ONE PLACE (.0) ± .030
		TWO PLACE (.00) ± .015
		THREE PLACE (.000) ± .005
		ANGLES ±
		WEIGHT