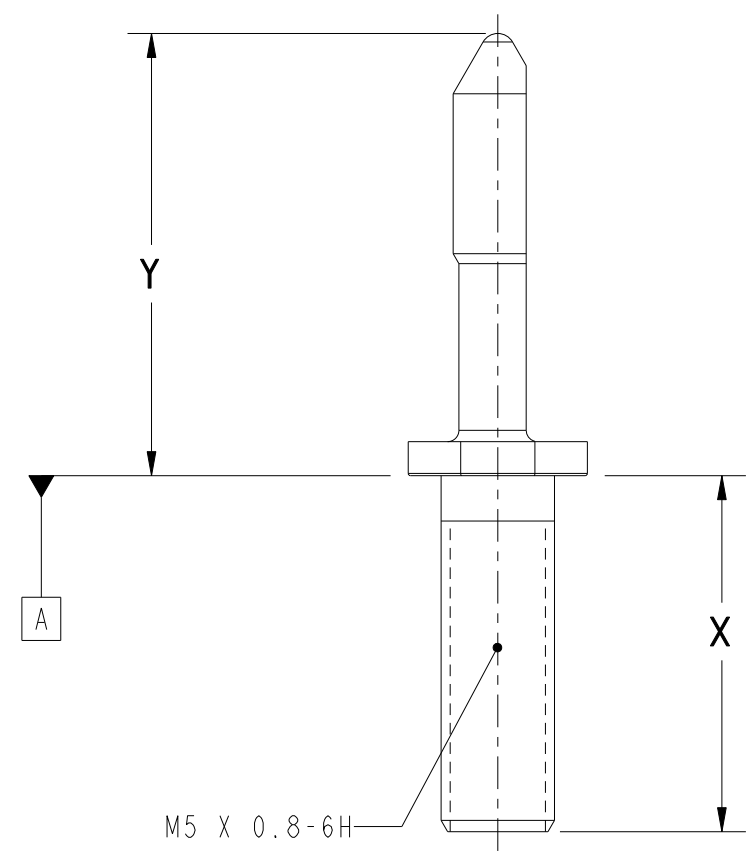
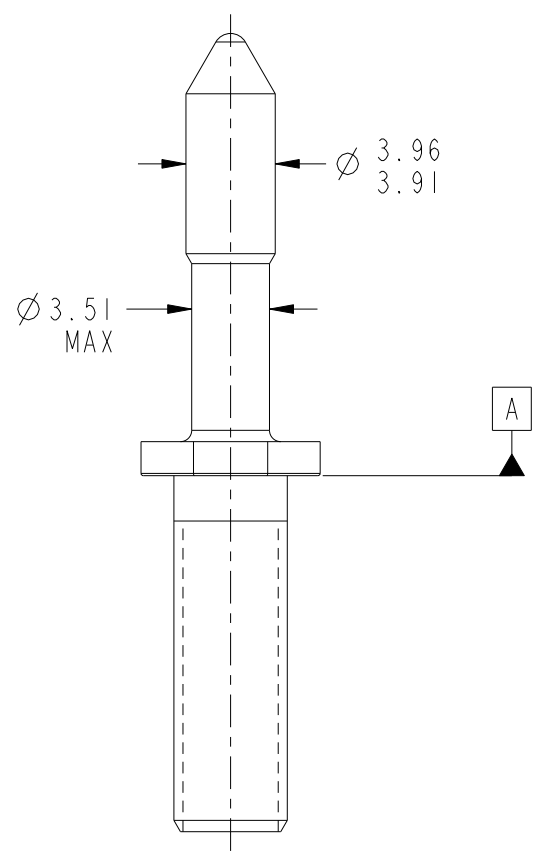
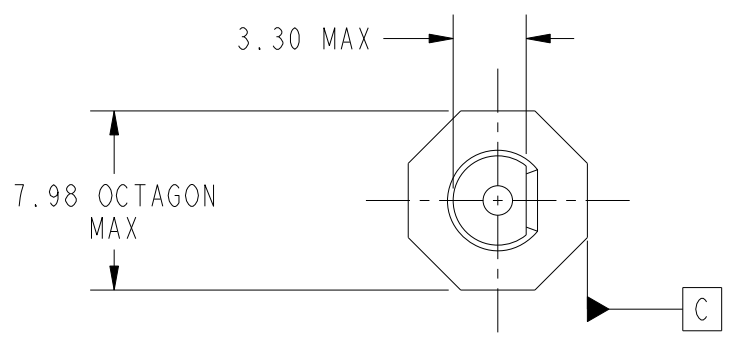


REV	SCR NO.	DESCRIPTION	BY	DATE	APPROVED
B	55338	NEW RELEASE	B.B.	06/16/10	H. COOK
D	55560	ADDED 564-0528-000 & 564-0529-000	R.C.	05/26/11	H. COOK
E	56057	ADDED 564-0534-553 & 564-0535-553	R.C.	08/28/12	H. COOK



PART NO	Y (MAX)	X (MAX)
564-0496-000	19.58	15.78
564-0504-000	19.58	14.58
564-0505-000	19.58	17.08
564-0506-000	19.58	11.58
564-0507-000	22.58	14.58
564-0508-000	22.58	15.78
564-0509-000	22.58	17.08
564-0510-000	22.58	11.58
564-0528-000	22.58	8.88
564-0529-000	19.58	8.88
564-0534-553	19.58	12.78
564-0535-553	22.58	12.78

- NOTES:
- MATERIAL: STAINLESS STEEL TYPE 303 PASSIVATED PER SAE-AMS-QQ-P-35.
  - PARTS TO BE FREE OF BURRS IN EXCESS OF 0.05 MAX UNLESS OTHERWISE SPECIFIED.

PROENGINEER PART	TOLERANCES		DWN 05/11/10	<b>Amphenol Corporation</b>
	0.0	± -	B.BAILEY	
	0.00	± -	CHK 06/11/10	
V60_STEP_GUIDE_PIN.PART	0.000	± -	R.CHIFFY	AMPHENOL BACKPLANE SYSTEMS NASHUA, NH 03063
PROENGINEER DRAWING	ANGLES	± -	H. COOK	TITLE
C5640504500	UNLESS OTHERWISE SPECIFIED DIMENSIONS ARE IN MILLIMETERS			CONNECTOR, BACKPLANE SHORT KEYING/GUIDANCE PIN VIPER V60
 INTERPRET PER ASME Y14.5M	CUSTOMER USE DRAWING			PART NO.
				CODE IDENT
				DRAWING NO.
				C-564-0504-500
				SIZE B SCALE 3/1 SHEET 1 OF 1