

CUSTOMER DRAWING		
CATALOG # MR123100W		
FCN#	APPRVD	DATE
/	/	/

**SAFETY ORGANIZATIONS**

THIS FILTER HAS BEEN FORMALLY RECOGNIZED, CERTIFIED OR APPROVED BY THE LISTED AGENCY. THEREFORE, ALL TEST/REQUIREMENTS SPECIFIED IN THE LATEST REVISION OF THE FOLLOWING AGENCY STANDARDS HAVE BEEN MET:

**OPERATING SPECIFICATIONS**

LINE CURRENT/VOLTAGE: 3 AMP, 60VDC

OPERATING AMBIENT TEMP. RANGE: -10°C TO +60°C @ RATED CURRENT, I<sub>r</sub>.

IN AN AMBIENT, T<sub>a</sub>, HIGHER THAN 60°C, THE MAXIMUM OPERATING CURRENT, I<sub>o</sub>, IS AS FOLLOWS:

$$I_o = I_r \sqrt{\frac{85 - T_a}{25}}$$

**RELIABILITY SPECIFICATIONS:**

STORAGE TEMPERATURE: -40°C TO +85°C  
 HUMIDITY: 21 DAYS @ 40°C 95% RH.  
 CURRENT OVERLOAD TEST: 6 TIMES I<sub>r</sub> FOR 8 SECONDS

**TEST SPECIFICATIONS:**

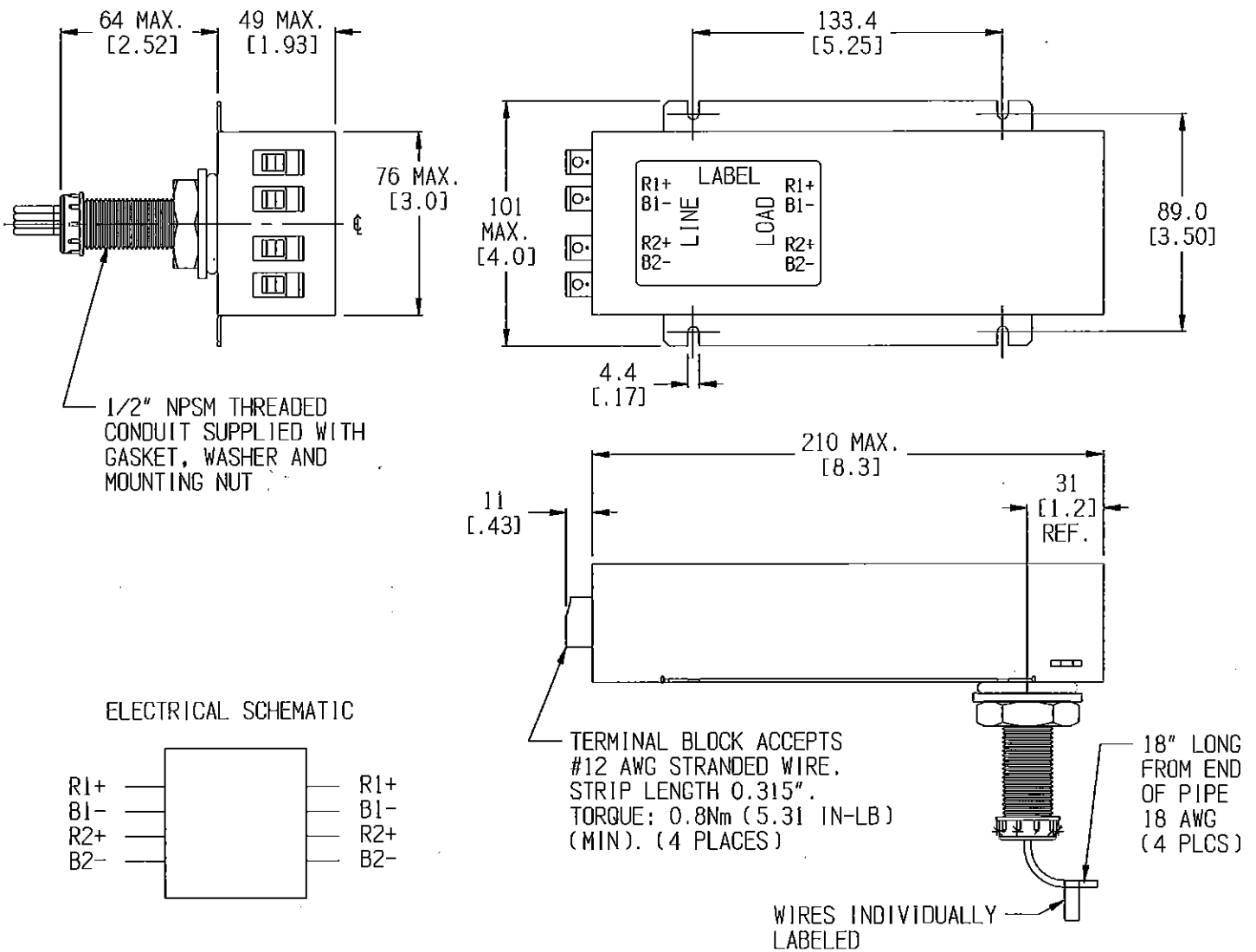
INDUCTANCE: 34.32 mH NOMINAL  
 CAPACITANCE: (MEASURED @ 1KHz, 0.250VAC MAX., 25°C±1°C)  
 LINE TO GROUND: 9 μF±20%  
 LINE TO LINE: 3282.3 μF±20%  
 DISCHARGE RESISTOR: 10K Ω  
 L/G AND L/L I.R.  
 NO DISCHARGE RESISTOR: 6000MΩ (MIN.) @ 100VDC, 20°C AND 50% RH

**RECOMMENDED RECEIVING INSPECTION HIPOT:**

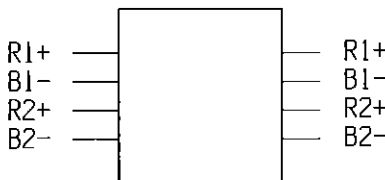
LINE TO GROUND: 100 VDC FOR 1 MINUTE CAUTION: THIS UNIT USES  
 LINE TO LINE: 100 VDC FOR 1 MINUTE POLARIZED CAPACITORS

**FILTER APPROVAL:**

THE BEST WAY TO SELECT AND QUALIFY A FILTER IS FOR YOUR ENGINEERING TO TEST THE UNIT IN YOUR EQUIPMENT.



ELECTRICAL SCHEMATIC



50 Ω - 50 Ω (MINIMUM) INSERTION LOSS											
FREQUENCY	10 kHz	50 kHz	100 kHz	500 kHz	1 MHz	5 MHz	10 MHz	50 MHz	100 MHz	500 MHz	1 GHz
COMMON dB	100	100	100	100	100	100	100	100	100	100	100
DIFF. dB	100	100	100	100	100	100	100	100	100	100	100
SHEET SIZE	THIRD ANGLE PROJECTION										
A	THIS INFORMATION IS CONFIDENTIAL AND PROPRIETARY TO TYCO ELECTRONICS CORPORATION AND ITS WORLDWIDE SUBSIDIARIES AND AFFILIATES. IT MAY NOT BE DISCLOSED TO ANYONE OTHER THAN TYCO ELECTRONICS PERSONNEL, WITHOUT WRITTEN AUTHORIZATION FROM TYCO ELECTRONICS CORPORATION. (www.te.com)										

PARTS SHALL COMPLY WITH TYCO ELECTRONICS 138-702 SPECIFICATION FOR HAZARDOUS SUBSTANCES		
UNLESS OTHERWISE SPECIFIED TOLERANCE TO BE ±1.5 (.06) MATERIAL & FINISH: AS SUPPLIED DIMENSIONS IN MILLIMETERS		
NOTES: CAUTION: THIS UNIT USES POLARIZED CAPACITORS		
MRI FILTER		
TE PART NO.: 1-1609091-3		
SCALE: 3/8	DATE: 26DEC17	DRAWING NUMBER: MR123100W
DRW. BY: LJD	DRWG: DP	REV. 2