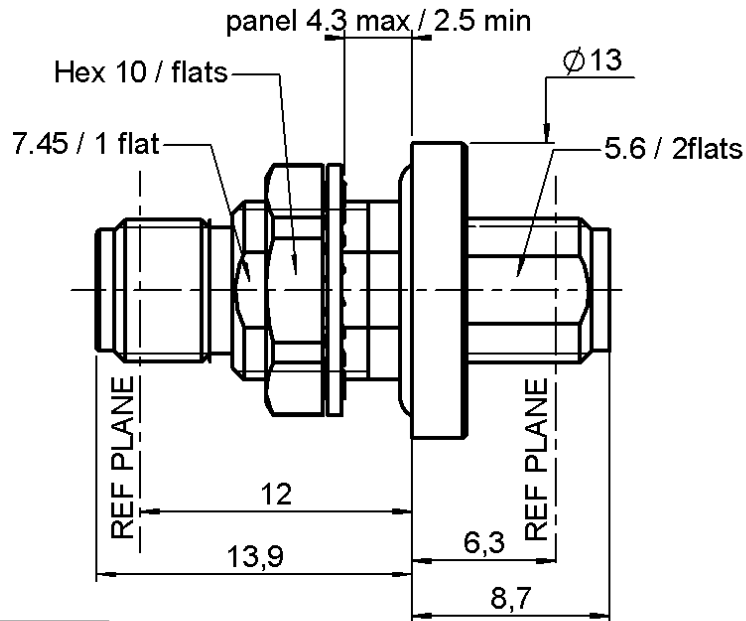


FEMALE-FEMALE BULKEAD ADAPTOR

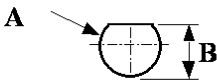
R125.753.001

HERMETIC

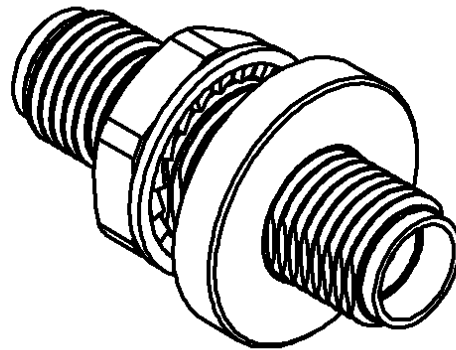
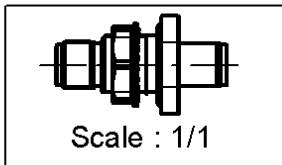
Series : SMA



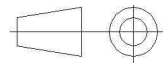
PANEL CUT OUT



mm		
	Maxi	mini
A	8.1	8
B	7.6	7.5



All dimensions are in mm.



COMPONENTS	MATERIALS	PLATING (µm)
BODY	STAINLESS STEEL	PASSIVATED
CENTER CONTACT	BERYLLIUM COPPER	GOLD 1.3 OVER NICKEL2
OUTER CONTACT	-	-
INSULATOR	PTFE	-
GASKET	SILICONE RUBBER	-
OTHERS PARTS	STAINLESS STEEL	PASSIVATED
-	-	-
-	-	-

Issue : 0841 D

In the effort to improve our products, we reserve the right to make changes judged to be necessary.



FEMALE-FEMALE BULKEAD ADAPTOR

R125.753.001

HERMETIC

Series : SMA

PACKAGING

SPECIFICATION

Standard	Unit	Other
100	'W' option	Contact us

ELECTRICAL CHARACTERISTICS

ENVIRONMENTAL

Impedance	50	Ω
Frequency	0-18	GHz
VSWR	1.10 + 0,0100	x F(GHz) Maxi
Insertion loss	0.3	$\sqrt{F(GHz)}$ dB Maxi
RF leakage	- (NA)	- F(GHz)) dB Maxi
Voltage rating	500	Veff Maxi
Dielectric withstanding voltage	1000	Veff mini
Insulation resistance	5000	M Ω mini

Operating temperature	-40/+100	$^{\circ}$ C
Hermetic seal	10-5	Atm.cm3/s
Panel leakage	NA	

OTHER CHARACTERISTICS

Assembly instruction

Others :

MECHANICAL CHARACTERISTICS

Center contact retention		
Axial force – Mating end	27	N mini
Axial force – Opposite end	27	N mini
Torque	NA	N.cm mini
Recommended torque		
Mating	NA	N.cm
Panel nut	170	N.cm
Mating life	500	Cycles mini
Weight	6,2500	g

Issue : 0841 D

In the effort to improve our products, we reserve the right to make changes judged to be necessary.

