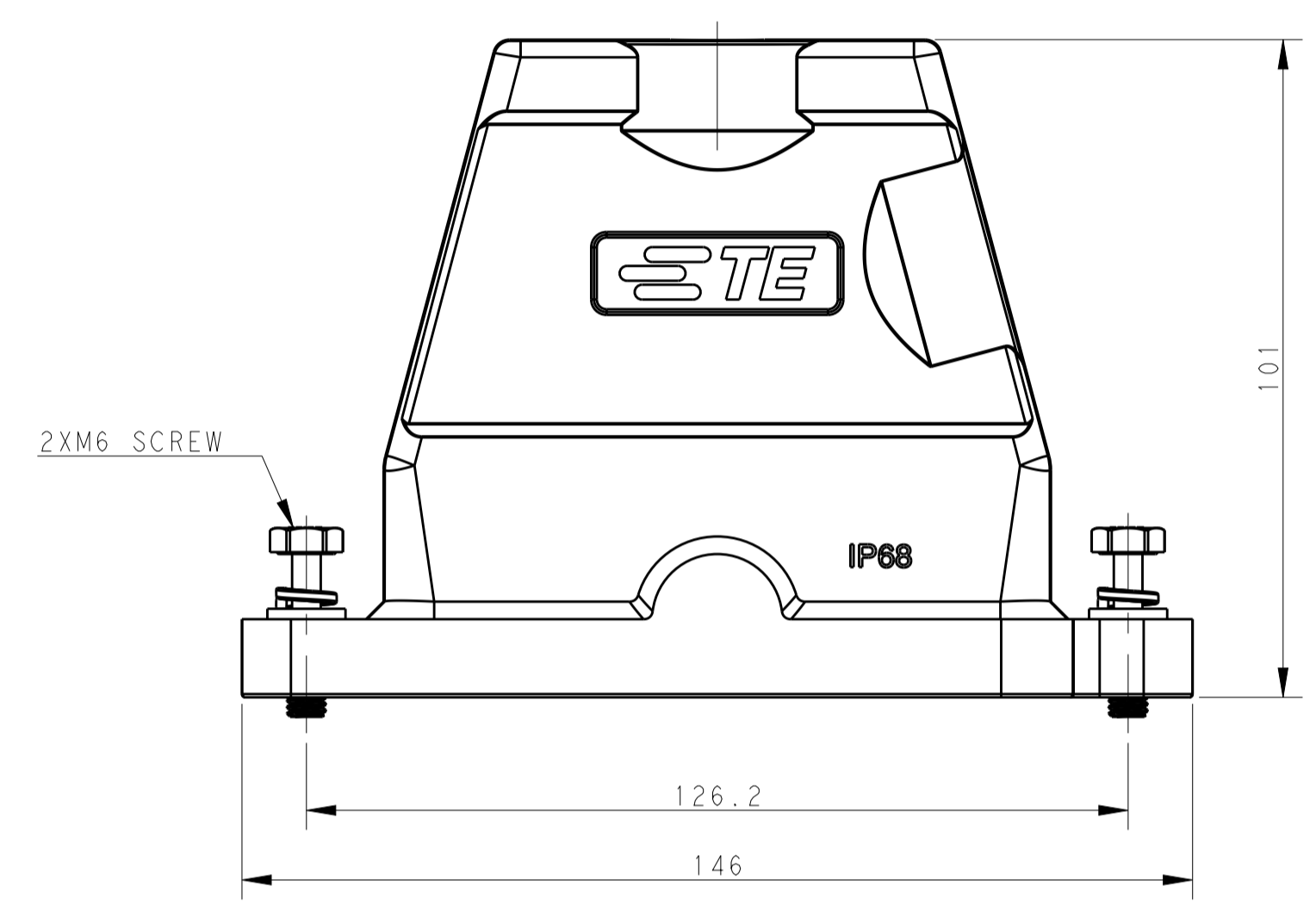


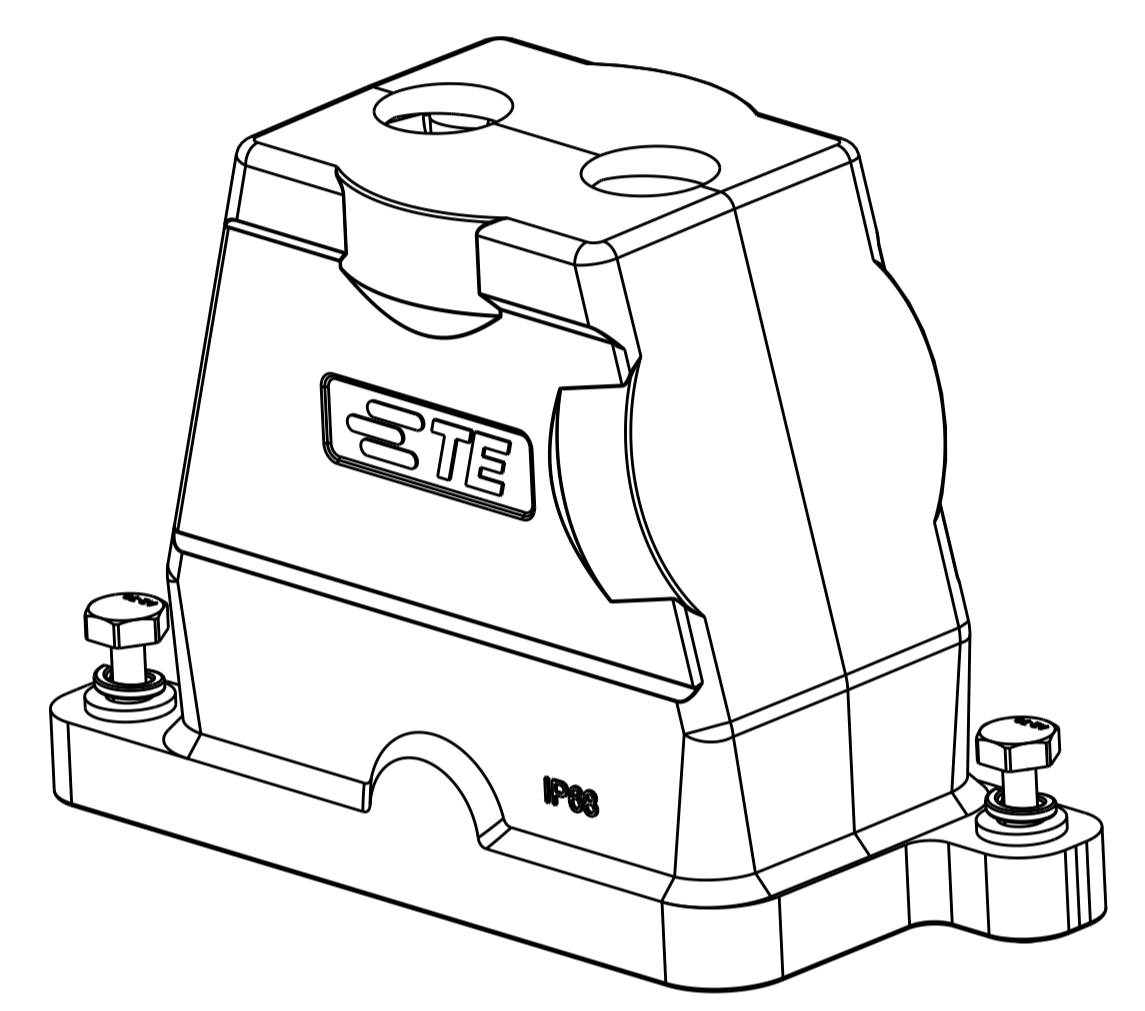
TYPE 1

Single PG/M thread



TYPE 2

Two PG/M threads



All dimension is same as TYPE 1, except those defined in this TYPE
 除了在本类型中定义的尺寸外,其他尺寸同类型1

| REVISIONS | | | | |
|-----------|-----|-----------------|-----------|-------|
| P | LTM | DESCRIPTION | DATE | APVD |
| A | | INITIAL RELEASE | 08JUN2015 | GY CW |
| B | | ECR-19-009256 | 02JUL2019 | CD CW |

NOTES:
 1. TECHNICAL CHARACTERISTICS:
 HOOD MATERIAL: DIE CAST ALUMINIUM ALLOY
 SURFACE TREATMENT: SEE TABLE
 DEGREE OF PROTECTION: IP68 (MATED)


注释
 1. 技术参数:
 壳体材料: 铝合金
 表面处理: 见表格
 防护等级: IP68 (配合)

| | | | | |
|--|--|------------------------------|-----------------------|--|
| THIS DRAWING IS A CONTROLLED DOCUMENT. | | DWN: Gino_Yao 08JUN2015 | TE Connectivity | |
| DIMENSIONS: mm | | CHK: Chris_Wong 08JUN2015 | | |
| TOLERANCES UNLESS OTHERWISE SPECIFIED: | | APVD: Yiqiang_Yu 08JUN2015 | NAME: H10BPR-TGH-PG/M | |
| 0 PLC ± | | PRODUCT SPEC: 108-137014 | | |
| 1 PLC ± | | APPLICATION SPEC: 114-137014 | | |
| 2 PLC ± | | SIZE: A1 | | |
| 3 PLC ± | | CAGE CODE: - | | |
| 4 PLC ± | | DRAWING NO: C-T192010XXXXX00 | | |
| ANGLES ± | | RESTRICTED TO: - | | |
| FINISH: - | | WEIGHT: - | | |
| MATERIAL: - | | Customer Drawing | | |
| | | SCALE: 1:1 | | |
| | | SHEET 1 OF 2 | | |
| | | REV B | | |

| REVISIONS | | | | |
|-----------|-----|-------------|------|----------|
| P. | LTN | DESCRIPTION | DATE | OWN APVD |
| - | - | SEE SHEET 1 | - | - |
| | | | | |
| | | | | |

NOTES:
 SEE SHEET 1
 注释:
 见 SHEET 1

| PART NUMBER | 料号 | PART DESCRIPTION | 描述 | PG/M THREAD-3 PG/M 螺纹-3 | PG/M THREAD-2 PG/M 螺纹-2 | PG/M THREAD-1 PG/M 螺纹-1 | TYPE 类型 |
|-----------------|-----------------|--|----|----------------------------|----------------------------|----------------------------|----------------|
| T1920102220-000 | H10BPR-TGH-2M20 | H10BPR HOOD, DIAGONAL LOCKING, TOP ENTRY 2M20, POWDER COATED, GREY H10BPR上盖, 对角锁定, 顶出2M20, 灰色粉末喷涂 | | M20 | M20 | - | TYPE 2 类型 2 |
| T1920100225-000 | H10BPR-TGH-2M25 | H10BPR HOOD, DIAGONAL LOCKING, TOP ENTRY 2M25, POWDER COATED, BLACK H10BPR上盖, 对角锁定, 顶出2M25, 黑色粉末喷涂 | | M25 | M25 | - | |
| T1920100220-000 | H10BPR-TGH-2M20 | H10BPR HOOD, DIAGONAL LOCKING, TOP ENTRY 2M20, POWDER COATED, BLACK H10BPR上盖, 对角锁定, 顶出2M20, 黑色粉末喷涂 | | M20 | M20 | - | |
| T1920102132-000 | H10BPR-TGH-M32 | H10BPR HOOD, DIAGONAL LOCKING, TOP ENTRY M32, POWDER COATED, GREY H10BPR上盖, 对角锁定, 顶出M32, 灰色粉末喷涂 | | - | - | M32 | |
| T1920102129-000 | H10BPR-TGH-PG29 | H10BPR HOOD, DIAGONAL LOCKING, TOP ENTRY PG29, POWDER COATED, GREY H10BPR上盖, 对角锁定, 顶出PG29, 灰色粉末喷涂 | | - | - | PG29 | |
| T1920102125-000 | H10BPR-TGH-M25 | H10BPR HOOD, DIAGONAL LOCKING, TOP ENTRY M25, POWDER COATED, GREY H10BPR上盖, 对角锁定, 顶出M25, 灰色粉末喷涂 | | - | - | M25 | |
| T1920102121-000 | H10BPR-TGH-PG21 | H10BPR HOOD, DIAGONAL LOCKING, TOP ENTRY PG21, POWDER COATED, GREY H10BPR上盖, 对角锁定, 顶出PG21, 灰色粉末喷涂 | | - | - | PG21 | |
| T1920102120-000 | H10BPR-TGH-M20 | H10BPR HOOD, DIAGONAL LOCKING, TOP ENTRY M20, POWDER COATED, GREY H10BPR上盖, 对角锁定, 顶出M20, 灰色粉末喷涂 | | - | - | M20 | |
| T1920102116-000 | H10BPR-TGH-PG16 | H10BPR HOOD, DIAGONAL LOCKING, TOP ENTRY PG16, POWDER COATED, GREY H10BPR上盖, 对角锁定, 顶出PG16, 灰色粉末喷涂 | | - | - | PG16 | |
| T1920101132-000 | H10BPR-TGH-M32 | H10BPR HOOD, DIAGONAL LOCKING, TOP ENTRY M40, POWDER COATED, SILVER WHITE H10BPR上盖, 对角锁定, 顶出M40, 银色粉末喷涂 | | - | - | M32 | |
| T1920101129-000 | H10BPR-TGH-PG29 | H10BPR HOOD, DIAGONAL LOCKING, TOP ENTRY M32, POWDER COATED, SILVER WHITE H10BPR上盖, 对角锁定, 顶出M32, 银色粉末喷涂 | | - | - | PG29 | |
| T1920101125-000 | H10BPR-TGH-M25 | H10BPR HOOD, DIAGONAL LOCKING, TOP ENTRY M25, POWDER COATED, SILVER WHITE H10BPR上盖, 对角锁定, 顶出M25, 银色粉末喷涂 | | - | - | M25 | |
| T1920101121-000 | H10BPR-TGH-PG21 | H10BPR HOOD, DIAGONAL LOCKING, TOP ENTRY PG21, POWDER COATED, SILVER WHITE H10BPR上盖, 对角锁定, 顶出PG21, 银色粉末喷涂 | | - | - | PG21 | TYPE 1 类型 1 |
| T1920101120-000 | H10BPR-TGH-M20 | H10BPR HOOD, DIAGONAL LOCKING, TOP ENTRY M20, POWDER COATED, SILVER WHITE H10BPR上盖, 对角锁定, 顶出M20, 银色粉末喷涂 | | - | - | M20 | |
| T1920101116-000 | H10BPR-TGH-PG16 | H10BPR HOOD, DIAGONAL LOCKING, TOP ENTRY PG16, POWDER COATED, SILVER WHITE H10BPR上盖, 对角锁定, 顶出PG16, 银色粉末喷涂 | | - | - | PG16 | |
| T1920100140-000 | H10BPR-TGH-M40 | H10BPR HOOD, DIAGONAL LOCKING, TOP ENTRY M40, POWDER COATED, BLACK H10BPR上盖, 对角锁定, 顶出M40, 黑色粉末喷涂 | | - | - | M40 | |
| T1920100132-000 | H10BPR-TGH-M32 | H10BPR HOOD, DIAGONAL LOCKING, TOP ENTRY M32, POWDER COATED, BLACK H10BPR上盖, 对角锁定, 顶出M32, 黑色粉末喷涂 | | - | - | M32 | |
| T1920100129-000 | H10BPR-TGH-PG29 | H10BPR HOOD, DIAGONAL LOCKING, TOP ENTRY PG29, POWDER COATED, BLACK H10BPR上盖, 对角锁定, 顶出PG29, 黑色粉末喷涂 | | - | - | PG29 | |
| T1920100125-000 | H10BPR-TGH-M25 | H10BPR HOOD, DIAGONAL LOCKING, TOP ENTRY M25, POWDER COATED, BLACK H10BPR上盖, 对角锁定, 顶出M25, 黑色粉末喷涂 | | - | - | M25 | |
| T1920100121-000 | H10BPR-TGH-PG21 | H10BPR HOOD, DIAGONAL LOCKING, TOP ENTRY PG21, POWDER COATED, BLACK H10BPR上盖, 对角锁定, 顶出PG21, 黑色粉末喷涂 | | - | - | PG21 | |
| T1920100120-000 | H10BPR-TGH-M20 | H10BPR HOOD, DIAGONAL LOCKING, TOP ENTRY M20, POWDER COATED, BLACK H10BPR上盖, 对角锁定, 顶出M20, 黑色粉末喷涂 | | - | - | M20 | |
| T1920100116-000 | H10BPR-TGH-PG16 | H10BPR HOOD, DIAGONAL LOCKING, TOP ENTRY PG16, POWDER COATED, BLACK H10BPR上盖, 对角锁定, 顶出PG16, 黑色粉末喷涂 | | - | - | PG16 | |

| | | | |
|--|--------|--|--|
| THIS DRAWING IS A CONTROLLED DOCUMENT. | | OWN Gino_Yao 08JUN2015 |  TE Connectivity NAME H10BPR-TGH-PG/M |
| DIMENSIONS: | | CHK Chris.Wong 08JUN2015 | |
| TOLERANCES UNLESS OTHERWISE SPECIFIED: | | APVD Yiann.Yu 08JUN2015 | |
| mm 0 PLC ± 2 PLC ± 3 PLC ± 4 PLC ± ANGLES ± | | PRODUCT SPEC 108-137014 APPLICATION SPEC 114-137014 | |
| MATERIAL | FINISH | WEIGHT | RESTRICTED TO |
| - | - | - | SIZE CAGE CODE DRAWING NO A1 - C=T192010XXXXX00 |
| Customer Drawing | | SCALE 1:1 | SHEET 2 OF 2 REV B |