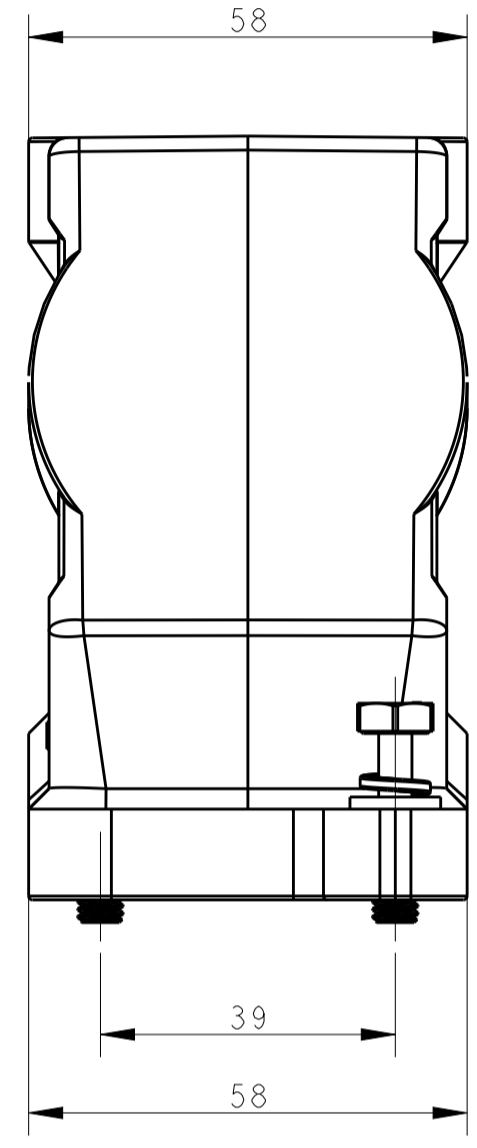


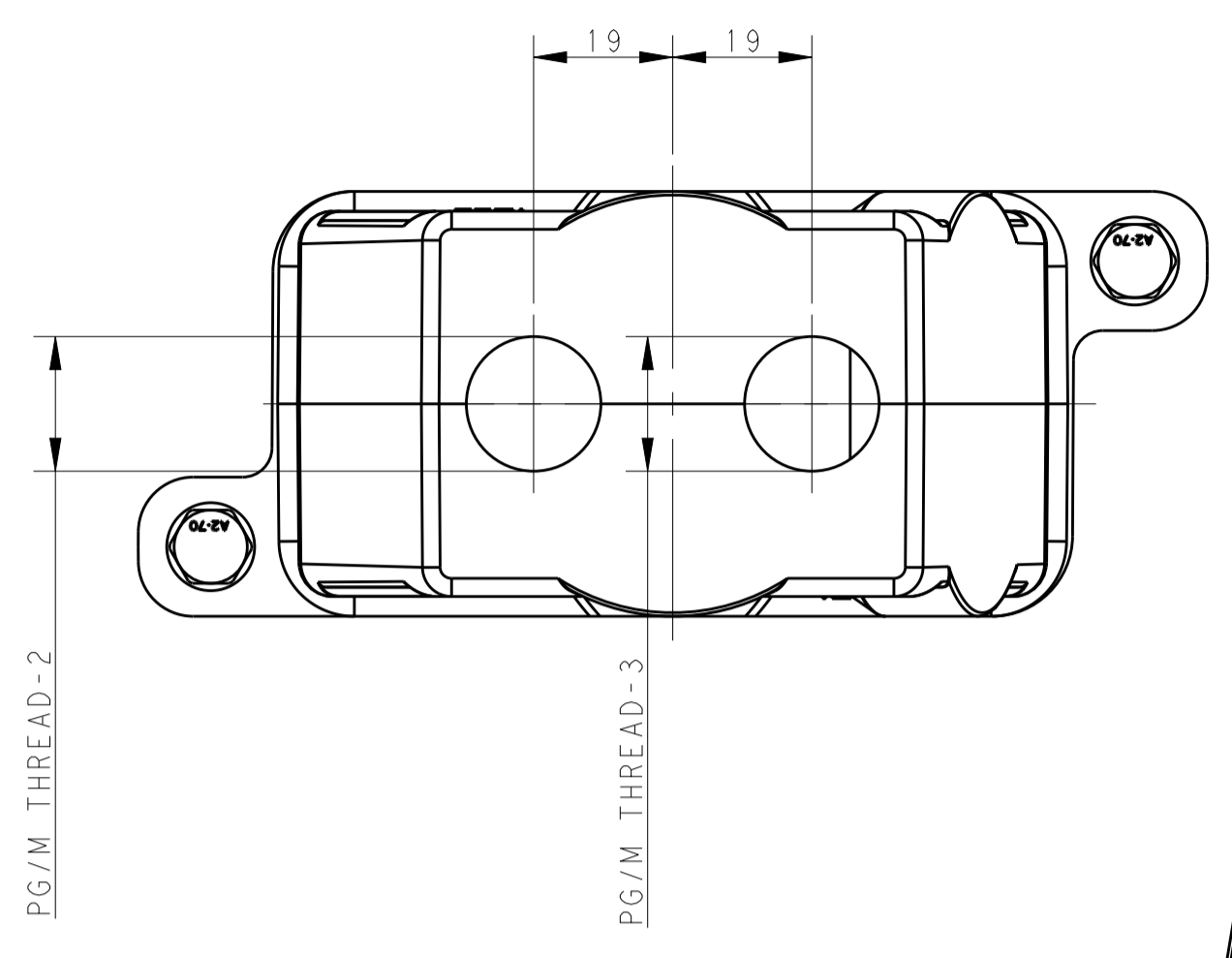
TYPE 1

Single PG/M thread



TYPE 2

Two PG/M threads



All dimension is same as TYPE 1, except those defined in this TYPE
 除了在本类型中定义的尺寸外,其他尺寸同类型1

NOTES:
 1. TECHNICAL CHARACTERISTICS:
 HOOD MATERIAL: DIE CAST ALUMINIUM ALLOY
 SURFACE TREATMENT: SEE TABLE
 DEGREE OF PROTECTION: IP68 (MATED)

注释
 1. 技术参数:
 壳体材料: 铝合金
 表面处理: 见表格
 防护等级: IP68 (配合)


REVISIONS				
P.	LTM	DESCRIPTION	DATE	DWN APVD
A		INITIAL RELEASE	08JUN2015	GY CW
B		ECR-19-009256	02JUL2019	CD CW

THIS DRAWING IS A CONTROLLED DOCUMENT.		DWN: Gino_Yao 08JUN2015	TE Connectivity	
DIMENSIONS: mm		CHK: Chris_Wong 08JUN2015		
TOLERANCES UNLESS OTHERWISE SPECIFIED:		APVD: Yiqiang_Yu 08JUN2015	NAME: H10BPR-TGH-PG/M	
0 PLC ±		PRODUCT SPEC: 108-137014		RESTRICTED TO
1 PLC ±		APPLICATION SPEC: 114-137014		
2 PLC ±		SIZE: A1		SCALE: 1:1
3 PLC ±		CAGE CODE: -		
4 PLC ±		DRAWING NO: C-T192010XXXXX00		SHEET 1 OF 2
ANGLES ±		WEIGHT: -		
MATERIAL: -		Customer Drawing		REV B

REVISIONS				
P.	LTN	DESCRIPTION	DATE	OWN APVD
-	-	SEE SHEET 1	-	-

NOTES:
 SEE SHEET 1
 注释:
 见 SHEET 1

PART NUMBER	PART DESCRIPTION	PG/M THREAD-3	PG/M THREAD-2	PG/M THREAD-1	TYPE
料号	描述	PG/M 螺纹-3	PG/M 螺纹-2	PG/M 螺纹-1	类型
T1920102220-000	H10BPR-TGH-2M20 H10BPR HOOD, DIAGONAL LOCKING, TOP ENTRY 2M20, POWDER COATED, GREY H10BPR上盖, 对角锁定, 漆出2M20, 灰色粉末喷涂	M20	M20	-	TYPE 2 类型 2
T1920100225-000	H10BPR-TGH-2M25 H10BPR HOOD, DIAGONAL LOCKING, TOP ENTRY 2M25, POWDER COATED, BLACK H10BPR上盖, 对角锁定, 漆出2M25, 黑色粉末喷涂	M25	M25	-	TYPE 2 类型 2
T1920100220-000	H10BPR-TGH-2M20 H10BPR HOOD, DIAGONAL LOCKING, TOP ENTRY 2M20, POWDER COATED, BLACK H10BPR上盖, 对角锁定, 漆出2M20, 黑色粉末喷涂	M20	M20	-	TYPE 1 类型 1
T1920102132-000	H10BPR-TGH-M32 H10BPR HOOD, DIAGONAL LOCKING, TOP ENTRY M32, POWDER COATED, GREY H10BPR上盖, 对角锁定, 漆出M32, 灰色粉末喷涂	-	-	M32	TYPE 1 类型 1
T1920102129-000	H10BPR-TGH-PG29 H10BPR HOOD, DIAGONAL LOCKING, TOP ENTRY PG29, POWDER COATED, GREY H10BPR上盖, 对角锁定, 漆出PG29, 灰色粉末喷涂	-	-	PG29	TYPE 1 类型 1
T1920102125-000	H10BPR-TGH-M25 H10BPR HOOD, DIAGONAL LOCKING, TOP ENTRY M25, POWDER COATED, GREY H10BPR上盖, 对角锁定, 漆出M25, 灰色粉末喷涂	-	-	M25	TYPE 1 类型 1
T1920102121-000	H10BPR-TGH-PG21 H10BPR HOOD, DIAGONAL LOCKING, TOP ENTRY PG21, POWDER COATED, GREY H10BPR上盖, 对角锁定, 漆出PG21, 灰色粉末喷涂	-	-	PG21	TYPE 1 类型 1
T1920102120-000	H10BPR-TGH-M20 H10BPR HOOD, DIAGONAL LOCKING, TOP ENTRY M20, POWDER COATED, GREY H10BPR上盖, 对角锁定, 漆出M20, 灰色粉末喷涂	-	-	M20	TYPE 1 类型 1
T1920102116-000	H10BPR-TGH-PG16 H10BPR HOOD, DIAGONAL LOCKING, TOP ENTRY PG16, POWDER COATED, GREY H10BPR上盖, 对角锁定, 漆出PG16, 灰色粉末喷涂	-	-	PG16	TYPE 1 类型 1
T1920101132-000	H10BPR-TGH-M32 H10BPR HOOD, DIAGONAL LOCKING, TOP ENTRY M40, POWDER COATED, SILVER WHITE H10BPR上盖, 对角锁定, 漆出M40, 银色粉末喷涂	-	-	M32	TYPE 1 类型 1
T1920101129-000	H10BPR-TGH-PG29 H10BPR HOOD, DIAGONAL LOCKING, TOP ENTRY M32, POWDER COATED, SILVER WHITE H10BPR上盖, 对角锁定, 漆出M32, 银色粉末喷涂	-	-	PG29	TYPE 1 类型 1
T1920101125-000	H10BPR-TGH-M25 H10BPR HOOD, DIAGONAL LOCKING, TOP ENTRY M25, POWDER COATED, SILVER WHITE H10BPR上盖, 对角锁定, 漆出M25, 银色粉末喷涂	-	-	M25	TYPE 1 类型 1
T1920101121-000	H10BPR-TGH-PG21 H10BPR HOOD, DIAGONAL LOCKING, TOP ENTRY PG21, POWDER COATED, SILVER WHITE H10BPR上盖, 对角锁定, 漆出PG21, 银色粉末喷涂	-	-	PG21	TYPE 1 类型 1
T1920101120-000	H10BPR-TGH-M20 H10BPR HOOD, DIAGONAL LOCKING, TOP ENTRY M20, POWDER COATED, SILVER WHITE H10BPR上盖, 对角锁定, 漆出M20, 银色粉末喷涂	-	-	M20	TYPE 1 类型 1
T1920101116-000	H10BPR-TGH-PG16 H10BPR HOOD, DIAGONAL LOCKING, TOP ENTRY PG16, POWDER COATED, SILVER WHITE H10BPR上盖, 对角锁定, 漆出PG16, 银色粉末喷涂	-	-	PG16	TYPE 1 类型 1
T1920100140-000	H10BPR-TGH-M40 H10BPR HOOD, DIAGONAL LOCKING, TOP ENTRY M40, POWDER COATED, BLACK H10BPR上盖, 对角锁定, 漆出M40, 黑色粉末喷涂	-	-	M40	TYPE 1 类型 1
T1920100132-000	H10BPR-TGH-M32 H10BPR HOOD, DIAGONAL LOCKING, TOP ENTRY M32, POWDER COATED, BLACK H10BPR上盖, 对角锁定, 漆出M32, 黑色粉末喷涂	-	-	M32	TYPE 1 类型 1
T1920100129-000	H10BPR-TGH-PG29 H10BPR HOOD, DIAGONAL LOCKING, TOP ENTRY PG29, POWDER COATED, BLACK H10BPR上盖, 对角锁定, 漆出PG29, 黑色粉末喷涂	-	-	PG29	TYPE 1 类型 1
T1920100125-000	H10BPR-TGH-M25 H10BPR HOOD, DIAGONAL LOCKING, TOP ENTRY M25, POWDER COATED, BLACK H10BPR上盖, 对角锁定, 漆出M25, 黑色粉末喷涂	-	-	M25	TYPE 1 类型 1
T1920100121-000	H10BPR-TGH-PG21 H10BPR HOOD, DIAGONAL LOCKING, TOP ENTRY PG21, POWDER COATED, BLACK H10BPR上盖, 对角锁定, 漆出PG21, 黑色粉末喷涂	-	-	PG21	TYPE 1 类型 1
T1920100120-000	H10BPR-TGH-M20 H10BPR HOOD, DIAGONAL LOCKING, TOP ENTRY M20, POWDER COATED, BLACK H10BPR上盖, 对角锁定, 漆出M20, 黑色粉末喷涂	-	-	M20	TYPE 1 类型 1
T1920100116-000	H10BPR-TGH-PG16 H10BPR HOOD, DIAGONAL LOCKING, TOP ENTRY PG16, POWDER COATED, BLACK H10BPR上盖, 对角锁定, 漆出PG16, 黑色粉末喷涂	-	-	PG16	TYPE 1 类型 1

THIS DRAWING IS A CONTROLLED DOCUMENT.		OWN Gino_Yao 08JUN2015	 TE Connectivity NAME H10BPR-TGH-PG/M
DIMENSIONS:		CHK Chris.Wong 08JUN2015	
TOLERANCES UNLESS OTHERWISE SPECIFIED:		APVD Yiann.Yu 08JUN2015	
mm 0 PLC ± 2 PLC ± 3 PLC ± 4 PLC ± ANGLES ±		PRODUCT SPEC 108-137014 APPLICATION SPEC 114-137014	
MATERIAL	FINISH	WEIGHT	SIZE CAGE CODE DRAWING NO RESTRICTED TO A1 - C=T192010XXXXX00 - SCALE 1:1 SHEET 2 OF 2 REV B Customer Drawing