



**5W Compact Fixed Blade USB Power Adapter (Europe)**



**Features**

- Fixed Blade
- CoC Tier 2
- Halogen Free
- Low Cost
- Low Profile

**Applications**

- Smart Phones
- PDA
- Personal Electronics
- Digital Cameras

**Safety Approvals**

- CE
- IEC60950-1 and 62368-1

**Mechanical Characteristics**

- Length: 60.2mm (2.37in)
- Width: 43mm (1.65in)
- Height: 21.0mm (0.87in)

**Output Specifications**

Model	DC Output Voltage	Load		Ripple <sup>(1)</sup> P-P (Max)	Regulation		Case Color
		Min.	Max.		Line	Load	
PSA05E-050QL6-H	5V	0A	1A	200mV	±5%		Black
PSA05E-050QL6WS-H	5V	0A	1A	200mV	±5%		White

Notes: (1) Measured with by-pass capacitors 0.1uF/10uF at output connector terminal and oscilloscope set at 20 MHz. Before Ripple & Noise measured burn in 30 min. at 100% load.

**INPUT:****AC Input Voltage Rating**

100 to 240VAC

**AC Input Voltage Range**

90 to 264VAC

**AC Input Current**

0.15A(RMS) max.

**Leakage Current**5 $\mu$ A maximum**Input Power Saving**

&lt;75mW @115VAC/230VAC

**OUTPUT:****Power**

5W Continuous

**Efficiency**

CoC Tier 2

**Short Circuit Protection**

Auto-Restart

**Over-Voltage Protection**

7V max

**Over-Current Protection**

1.5A max

**ENVIRONMENTAL:****Temperature**

Operation 0 to +40°C

Non-operation -40 to +85°C

Humidity 90%

**Immunity**

ESD: EN61000-4-2. Level 3

Surge: EN61000-4-5. Level 3

**Emissions**

Complies with FCC Class B

Complies with EN55032 Class B

**Dielectric Withstand (Hi-pot) Test**

Pri. to Sec.: 3000VAC, 10mA for 1 minute

**Insulation Resistance**

Pri. to Sec.: 10M ohm 500VDC

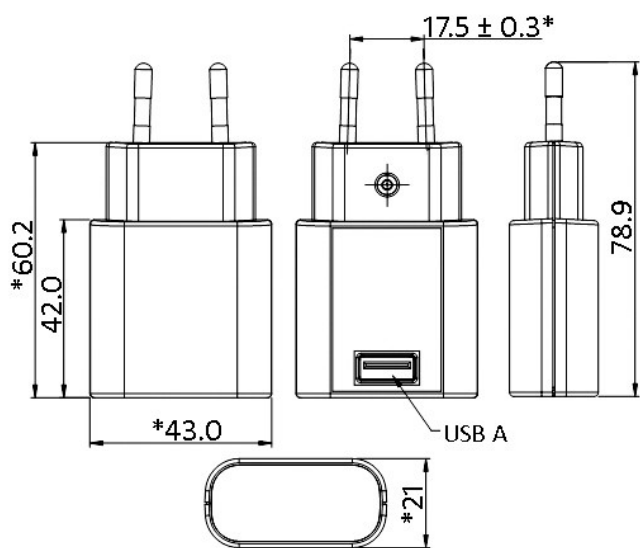
**MTBF**

100K Hrs min.(MIL-HDBK-217F)at max load

**DC Output Connector**

USB A

Dimension Diagram Unit: mm



**Supplier's Declaration of Conformity**  
**47 CFR § 2.1077 Compliance Information**

Phihong USA Corporation  
47800 Fremont Boulevard  
Fremont, CA 94538  
Telephone: (510) 445-0100  
[www.phihong.com](http://www.phihong.com)

The models in this product series have been tested and found to comply with the limits for a Class B digital device, pursuant to part 15 of the FCC Rules. These limits are designed to provide reasonable protection against harmful interference in a residential installation. This equipment generates, uses and can radiate radio frequency energy and, if not installed and used in accordance with the instructions, may cause harmful interference to radio communications. However, there is no guarantee that interference will not occur in a particular installation. If this equipment does cause harmful interference to radio or television reception, which can be determined by turning the equipment off and on, the user is encouraged to try to correct the interference by one or more of the following measures:

- Reorient or relocate the receiving antenna.
- Increase the separation between the equipment and receiver.
- Connect the equipment into an outlet on a circuit different from that to which the receiver is connected.
- Consult the dealer or an experienced radio/TV technician for help.

Changes or modifications to equipment not expressly approved by PHIHONG could void the user's authority to operate the equipment.