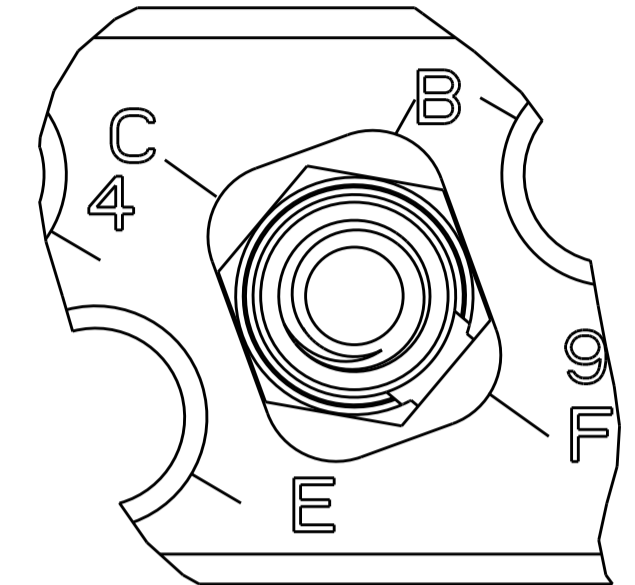
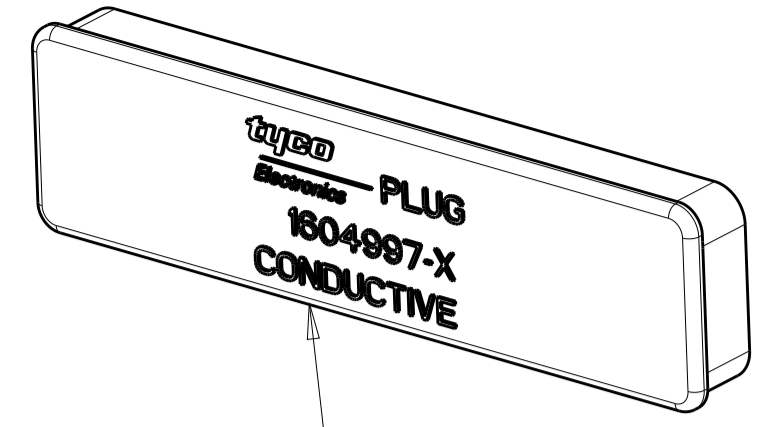
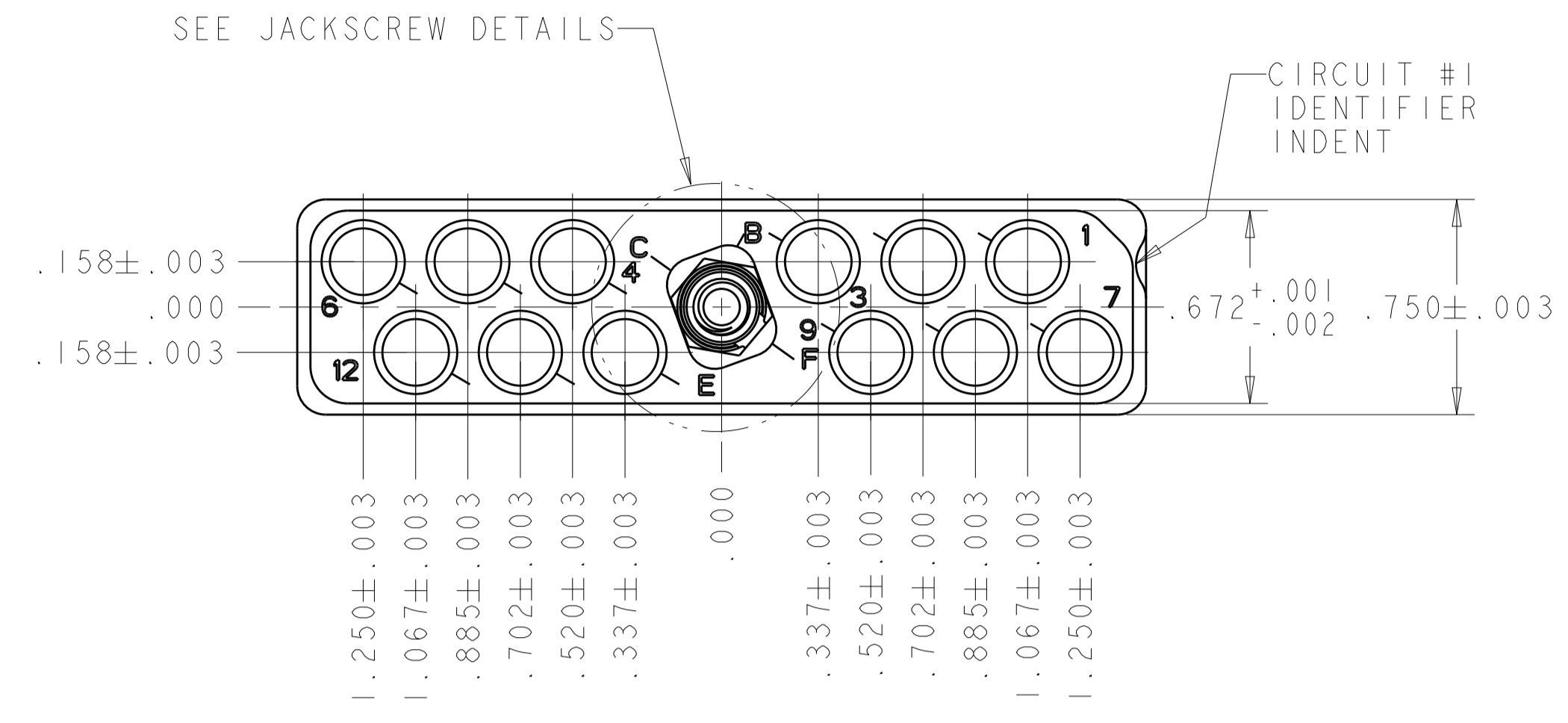
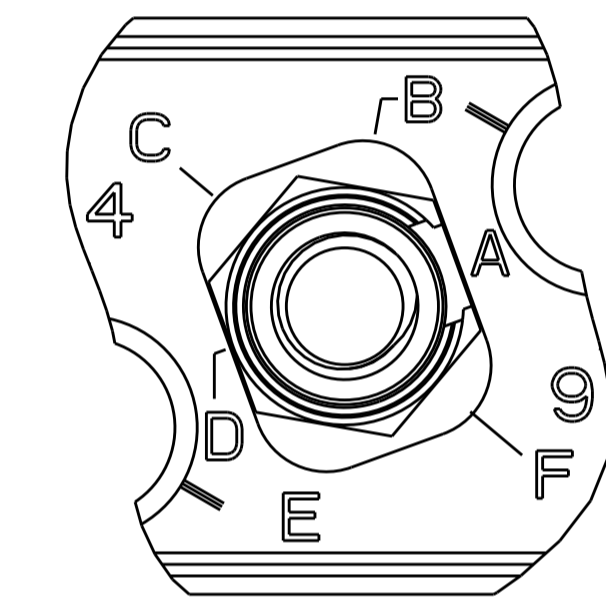
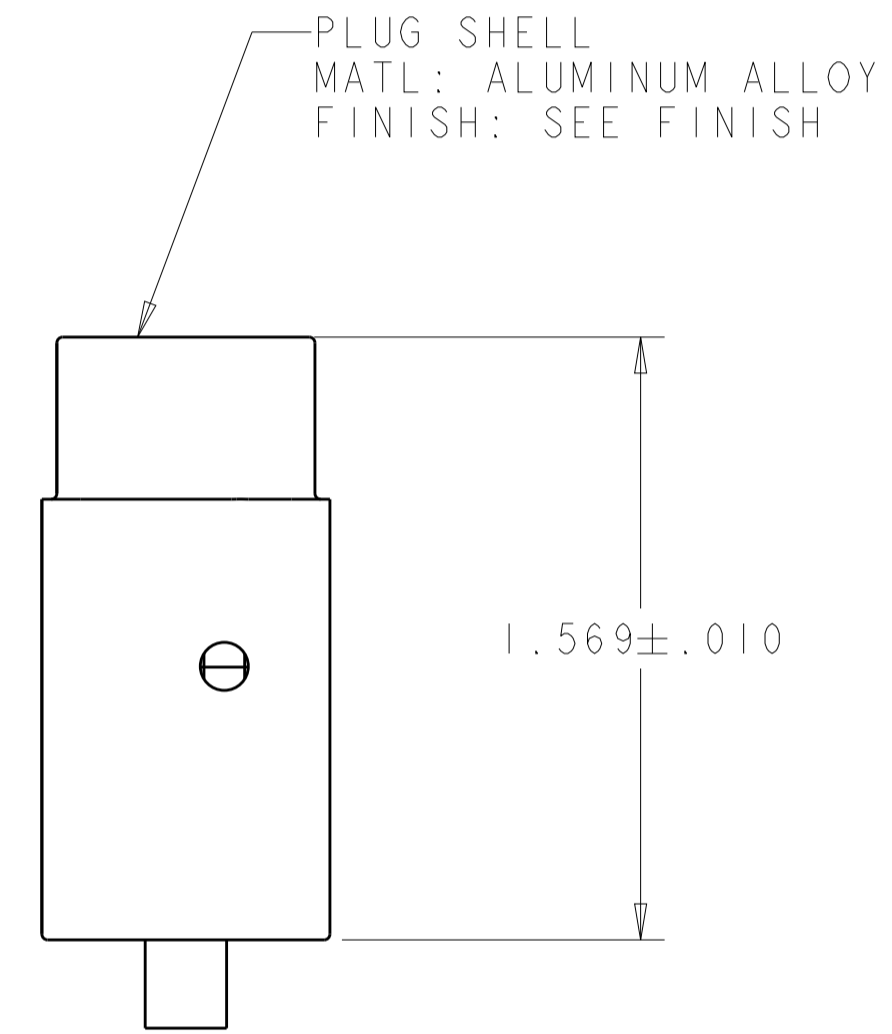
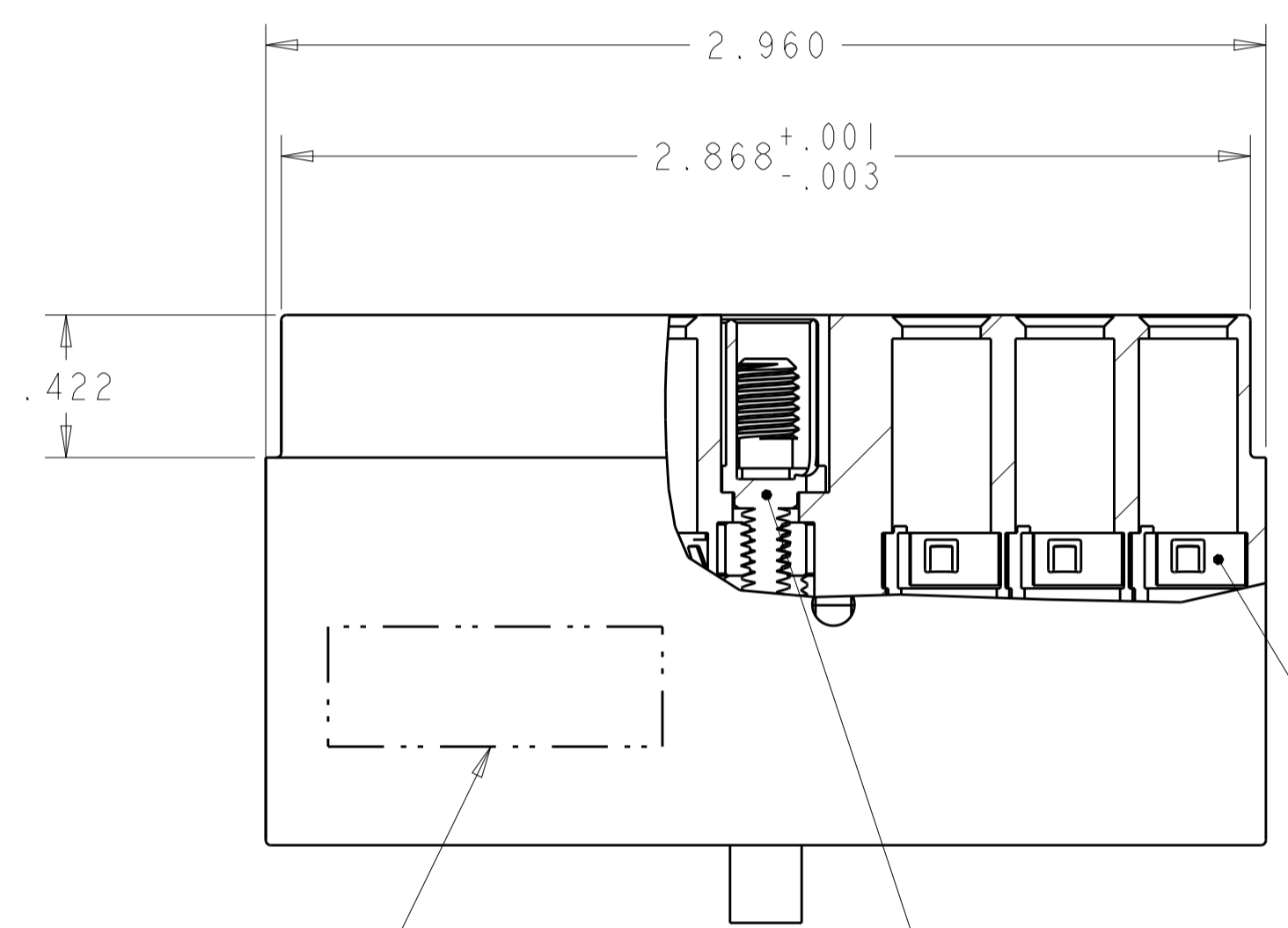


REVISIONS				
P.	LTR.	DESCRIPTION	DATE	APVD.
P		REV PER ECO 17-012106	8-22-17	CT DM

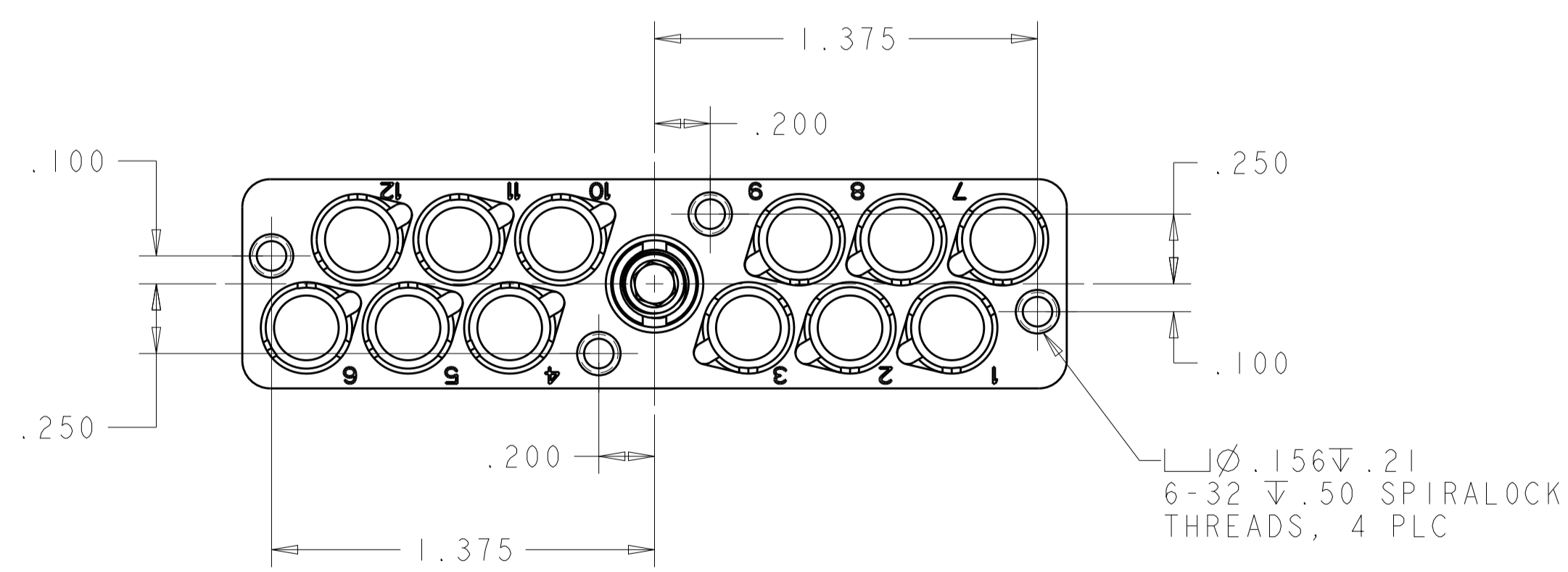


JACKSCREW POLARIZATION "F" SHOWN SCALE 4:1



JACKSCREW POLARIZATION "A" SHOWN SCALE 4:1

TE LOGO, DATE CODE AND EITHER CUSTOMER OR TE PART NUMBER (PER TABLE), CAGE CODE 00779 (-6 ONLY) MARKED APPROX AS SHOWN ON NEAR OR FAR SIDE)



ELECTROLESS NICKEL	1445693-4	BACC65BC12ND	JACKSCREW ASSEMBLED PLZLN CODE D	1-1604800-5
ELECTROLESS NICKEL	1445693-4	BACC65BC12N	WITH JACKSCREW-RETENTION NUT KIT	1-1604800-4
ELECTROLESS NICKEL	1445693-4	BACC65BC12NE	JACKSCREW ASSEMBLED PLZLN CODE E	1-1604800-3
ELECTROLESS NICKEL	1445693-4	BACC65BC12NC	JACKSCREW ASSEMBLED PLZLN CODE C	1-1604800-2
ELECTROLESS NICKEL	1445693-4	BACC65BC12NB	JACKSCREW ASSEMBLED PLZLN CODE B	1-1604800-1
ELECTROLESS NICKEL	1445693-4	BACC65BC12NF	JACKSCREW ASSEMBLED PLZLN CODE F	1-1604800-0
ELECTROLESS NICKEL	1445693-4	BACC65BC12NA	JACKSCREW ASSEMBLED PLZLN CODE A	1604800-9
ELECTROLESS NICKEL	1445693-3	---	WITH JACKSCREW-RETENTION NUT KIT	1604800-8
ELECTROLESS NICKEL	1445693-3	---	JACKSCREW ASSEMBLED PLZLN CODE A	1604800-6
ELECTROLESS NICKEL	1445693-3	---	WITH JACKSCREW-RETENTION NUT KIT	1604800-5
OBSELETE BLACK ANODIZED	1445693-4	BACC65BC12A	WITH JACKSCREW-RETENTION NUT KIT	1604800-4
SHELL FINISH	RECOMMENDED CONTACT WITH WIRE SEAL	BOEING PART NUMBER	DESCRIPTION	PART NO.

SUPERSEDED BY 1604800-5

WITH JACKSCREW-RETENTION NUT KIT IS UNASSEMBLED TO CONNECTOR ASSY. KIT IS PACKAGED IN SEALED BAG.

THIS DRAWING IS A CONTROLLED DOCUMENT. DWG: Brent D. Toth 24 JUNE 2004
 CHK: W.H. BERNHART 24 JUNE 2004
 APVD: W.H. BERNHART 24 JUNE 2004

STE TE Connectivity

NAME: PLUG ASSEMBLY, QUADRAX, FREE HANGING, RR/RR, 12 POSITION

SIZE: CAGE CODE DRAWING NO: A100779C=1604800

SCALE: 2:1 SHEET 1 OF 1 REV P