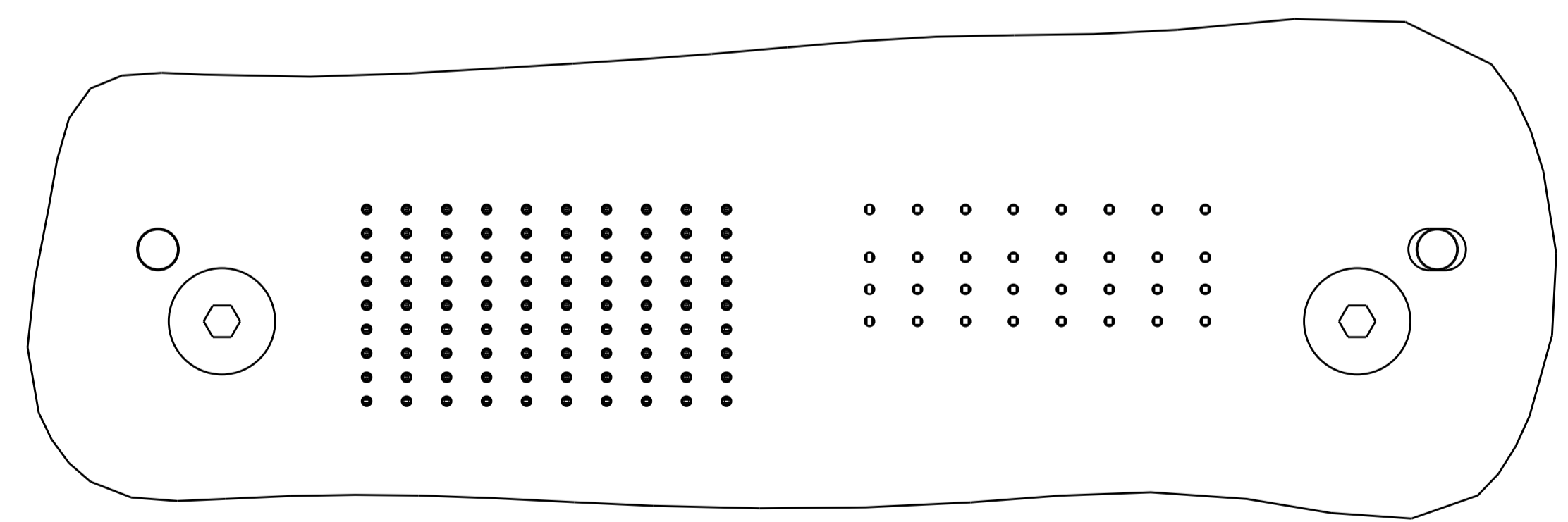
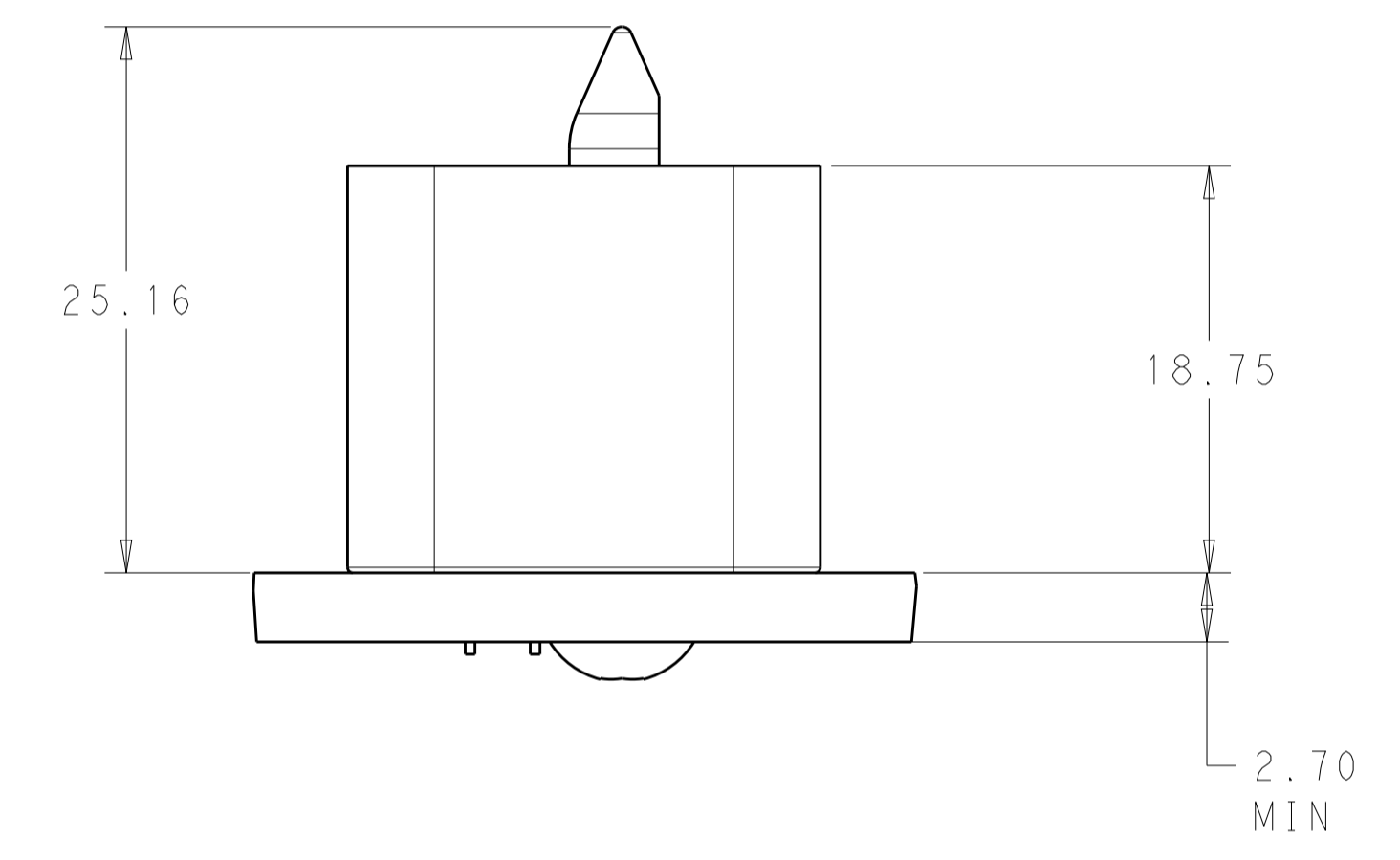
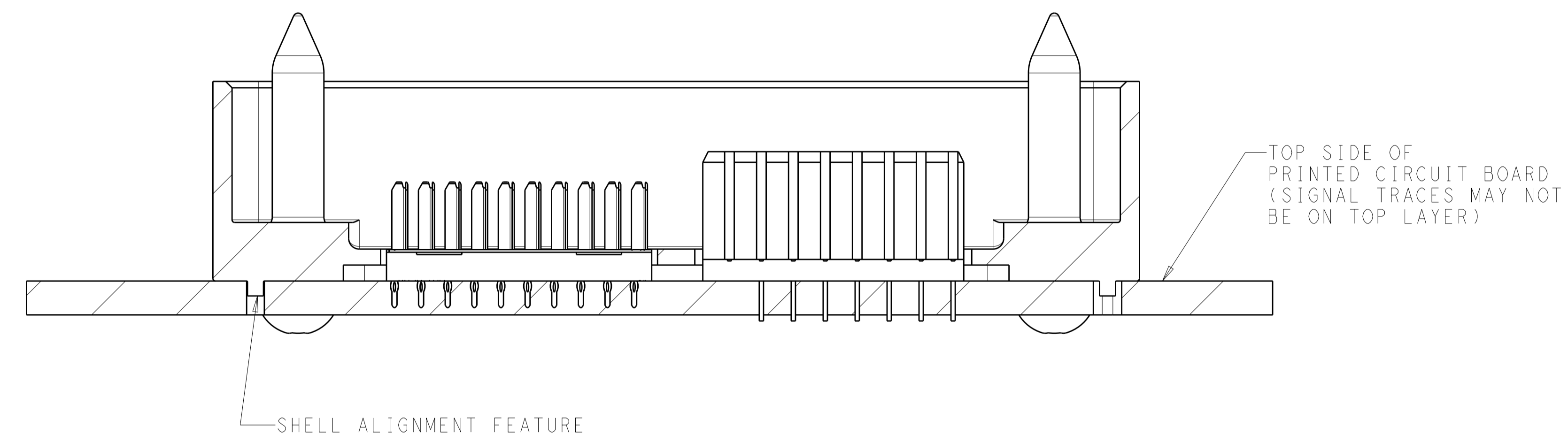
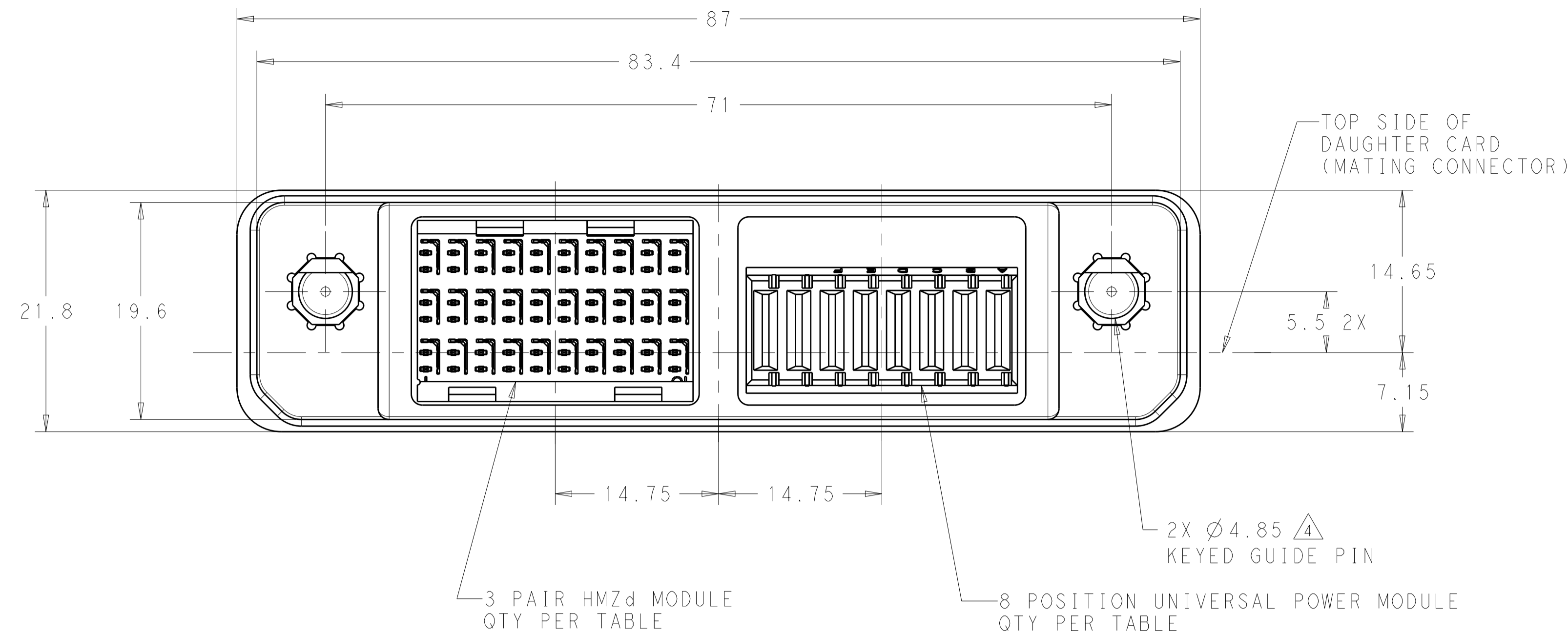


LOC		DIST		REVISIONS			
				REV	PER	DATE	BY
		F		REV PER ECO	15-010033	7-10-15	DH



- MATING CONNECTOR FOR THIS CONNECTOR IS 2033993.
- MATERIAL- SHELL: ALUMINUM
HOUSING: GLASS FILLED POLYESTER, UL94VO
RETAINING RING: STAINLESS STEEL
KEYING GUIDE PIN: STAINLESS STEEL
- PLATING- CONTACT MATING AREA:
1.27µm MIN GOLD OVER 1.27µm MIN NICKEL
CONTACT PCB AREA: 0.5µm MIN BRIGHT
TIN-LEAD OVER 1.27µm MIN NICKEL
- SHELL: ELECTROLESS NICKEL
- KEYING GUIDE PIN PACKAGED FOR ASSEMBLY BY CUSTOMER.
- PLATING- CONTACT MATING AREA:
1.27µm MIN GOLD OVER 1.27µm MIN NICKEL
CONTACT PCB AREA: 0.5µm MIN TIN
OVER 1.27µm MIN NICKEL

	5	2	-	-	5-2033994-4
	5	1	1	-	5-2033994-3
OBSOLETE	5	2	-	-	5-2033994-2
OBSOLETE	5	1	1	-	5-2033994-1
	3	-	-	2	2033994-4
	3	-	1	1	2033994-3
OBSOLETE	3	-	-	2	2033994-2
OBSOLETE	3	-	1	1	2033994-1
		3 PAIR HMZd (RoHS)	8 POSN UPM	3 PAIR HMZd	PART NUMBER
	CONTACT FINISH	MODULE QTY PER ASSY			

THIS DRAWING IS A CONTROLLED DOCUMENT. DWG: Brent D. Toth 13JAN2010
 CHK: CHONG YI 13JAN2010
 APVD: M. R. McALONIS 13JAN2010

DIMENSIONS: mm
 TOLERANCES UNLESS OTHERWISE SPECIFIED:
 0 PLC ±
 2 PLC ±0.13
 3 PLC ±0.013
 4 PLC ±
 ANGLES ±#1

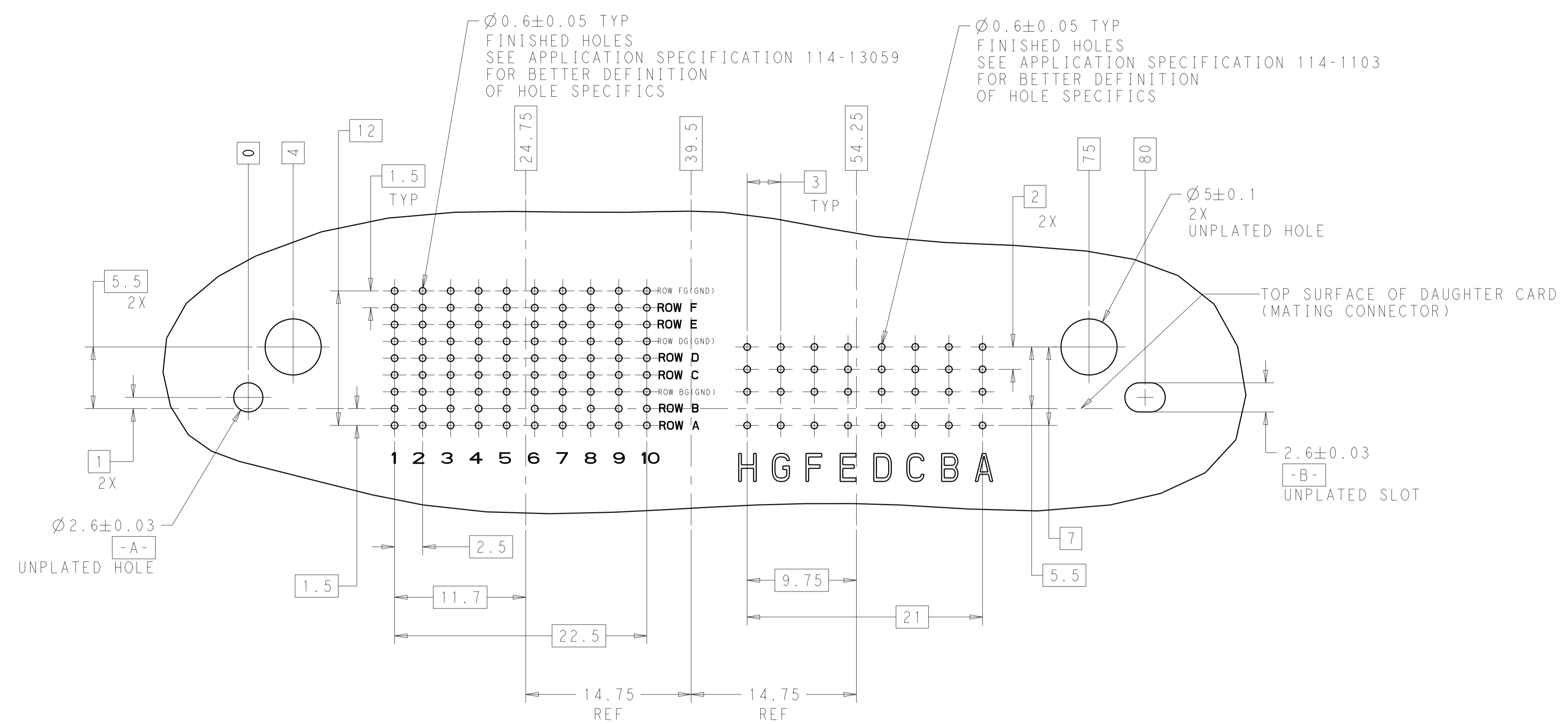
MATERIAL: 2
 FINISH: 3

PRODUCT SPEC: 108-2381
 APPLICATION SPEC:
 WEIGHT:
 CUSTOMER DRAWING

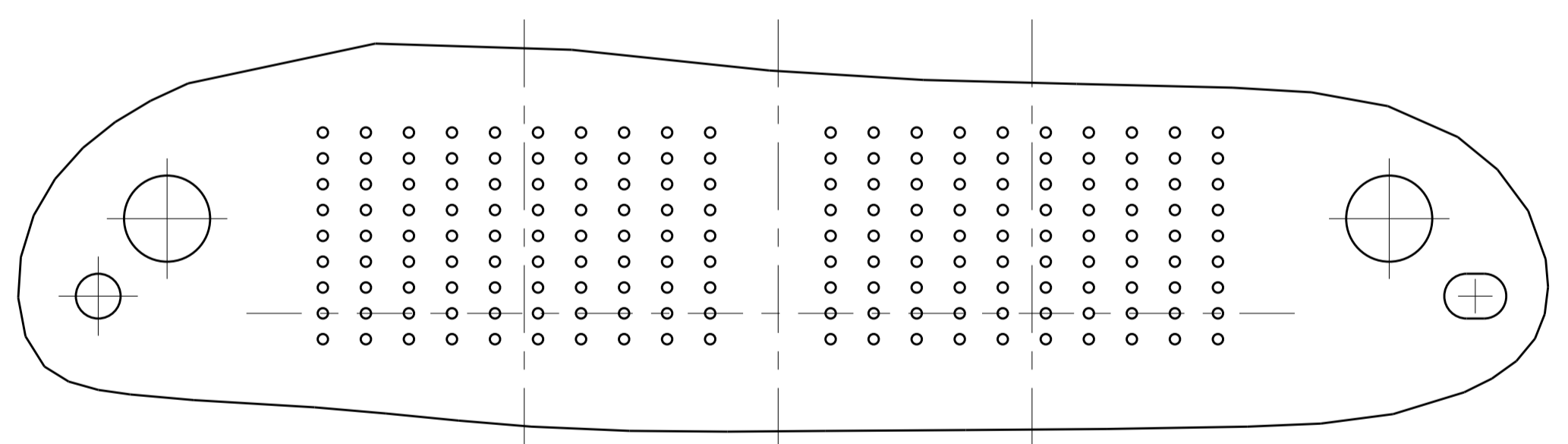
NAME: MOTHER BOARD CONNECTOR HIGH SPEED, RUGGEDIZED (HSR) 2 BAY, UNSEALED, VERTICAL
 SIZE: A1
 CAGE CODE: 00779
 DRAWING NO: 2033994
 RESTRICTED TO: F

SCALE: 3:1 SHEET 1 OF 2 REV F

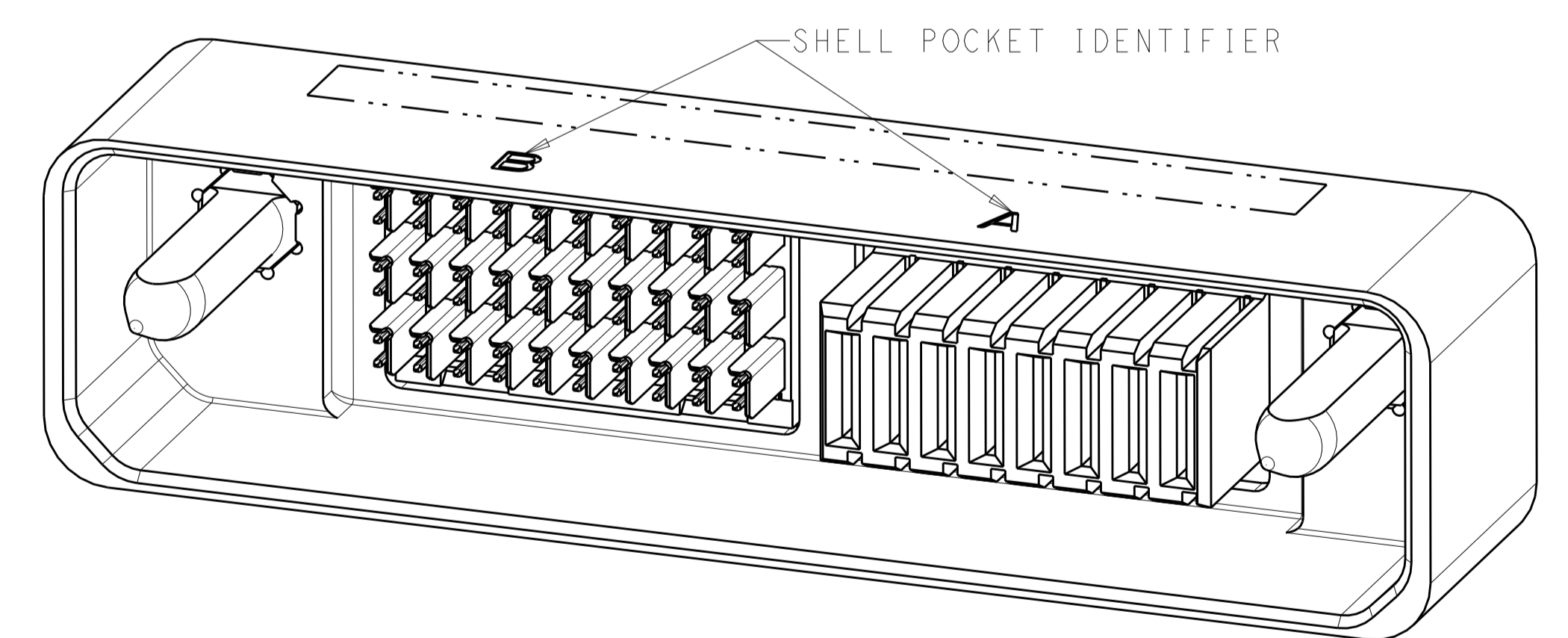
LOC		DIST		REVISIONS			
P	LTN	DESCRIPTION	DATE	DMN	APVD		
-	-	SEE SHEET 1	-	-	-	-	-



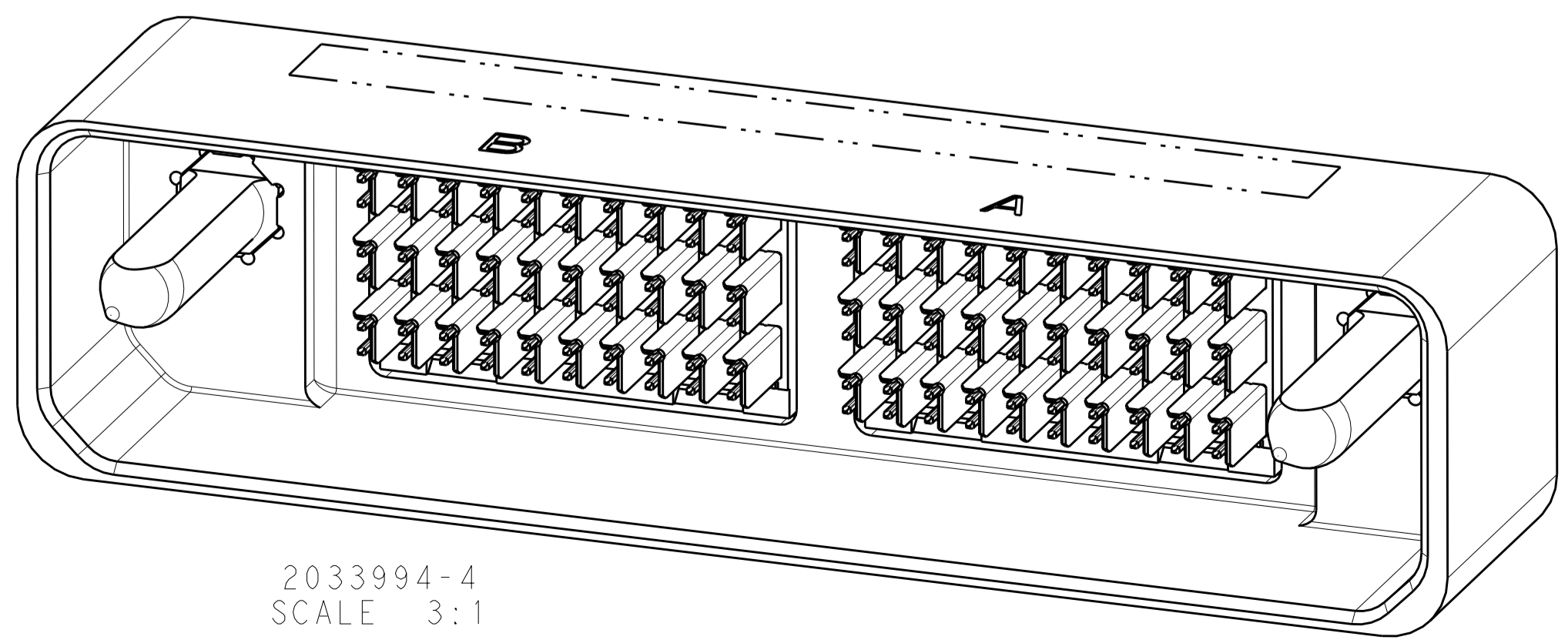
**RECOMMENDED PRINTED CIRCUIT BOARD LAYOUT
 AS VIEWED FROM TOP OF PRINTED CIRCUIT BOARD**
 (SIGNAL TRACES MAY NOT BE ON TOP LAYER)



2033994-4 PCB
 SCALE 3:1



2033994-3
 SCALE 3:1



2033994-4
 SCALE 3:1

THIS DRAWING IS A CONTROLLED DOCUMENT.		DMN Brent D. Toth	13JAN2010	STE TE Connectivity
DIMENSIONS:		CHK CHONG YI	13JAN2010	
mm	0 PLC ±	APVD M. R. McALONIS	13JAN2010	NAME MOTHER BOARD CONNECTOR HIGH SPEED, RUGGEDIZED (HSR) 2 BAY, UNSEALED, VERTICAL
	1 PLC ±0.13	PRODUCT SPEC	108-2381	
	2 PLC ±0.013	APPLICATION SPEC		SIZE A1
	3 PLC ±	WEIGHT		
	4 PLC ±	CUSTOMER DRAWING		SCALE 4:1
MATERIAL	FINISH	RESTRICTED TO		SHEET 2 OF 2
				REV F