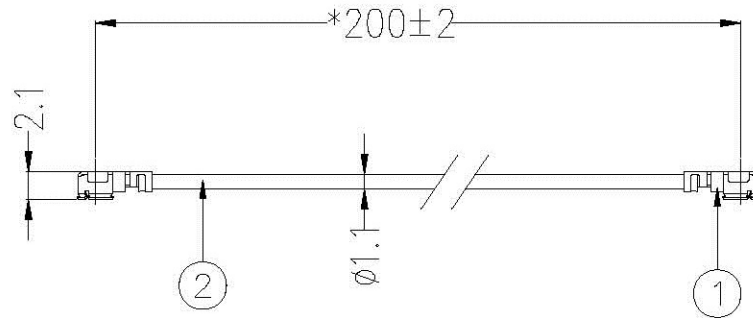


SIGN	DATE	DESCRIPTION	APPROVER
△			
△			
△			



NOTES:

1. MATERIAL AND FINISH: SEE ITEM BLOCK;
2. ELECTRICAL SPECIFICATION:
- 2.1. NORMAL IMPEDANCE: 50Ω;
3. "(\*)" MEANS IMPORTANCE DIMENSION.

2	R-CB-113B	Coaxial Cable	SHOWA-O.D. 1.13mm Black	1
1	CI-113	Connector	MHF1	1
No.	Part Number	Name	Material	Q'ty

## Dongguan Penglian Electronics

TITLE: CABLE

PART NO.: IX1-13B200-IX1

DWG NAME: IX1-13B200-IX1.DWG

APPROVED BY	CHECKED BY	DESIGNED BY		Tolerance
jeff 2018.11.28	leon 2018.11.28	YD 2018.11.28		
			UNITS: mm	X.X ±0.20
			SCALE: 1/1	X.XX ±0.10
			REVISION: A	X" ±3°