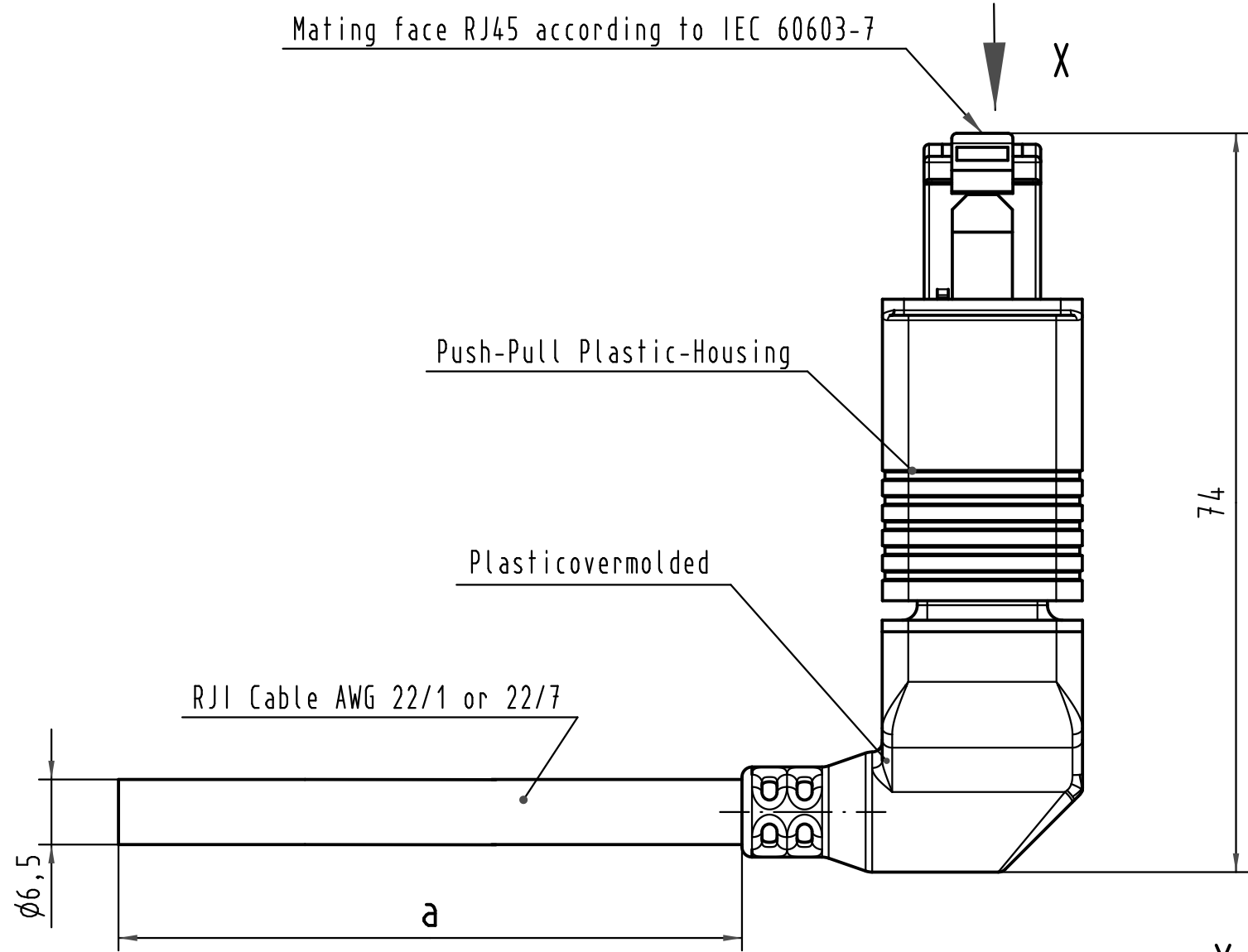
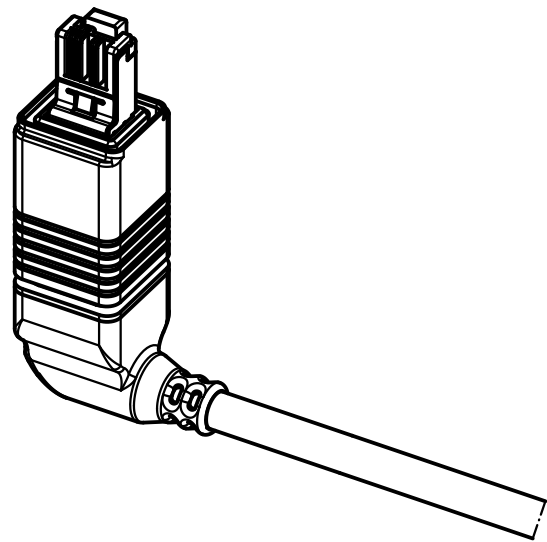
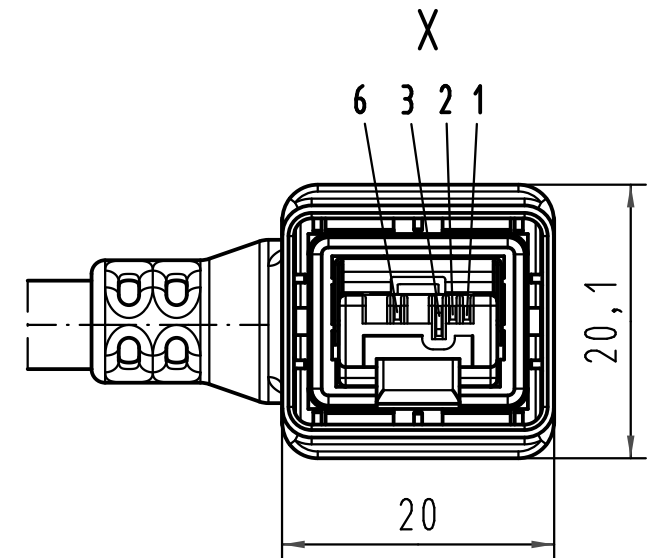
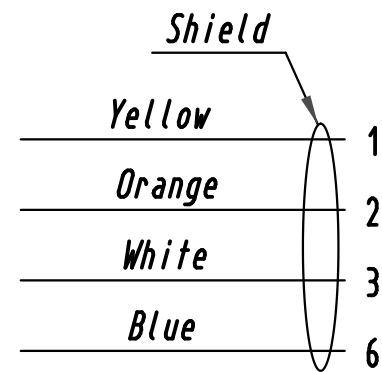


Alle Rechte vorbehalten/ All rights reserved



**Loading-Plan**



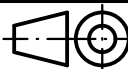

-Transmission properties in accordance with ISO/IEC 11801:2002; Class D.  
 -Protection level: IP67/65  
 -Temperature range: -40°C ...+60°C

|   |             |  |             |                   |  |             |   |
|---|-------------|--|-------------|-------------------|--|-------------|---|
| All Dimensions in mm<br>Original Size DIN A 3 |             | Techn. Character.                                      |             |                   | Nicht tolerierte Maß/Free size tolerances                                |             |   |
|   |             | Dat.   | Name        | Maßstab/Scale<br> | RJ45 cord 1xPush Pull overmolded,<br>angled, 0°pos., 4xAWG22, IP67, CAT5 |             |   |
|   |             | Detail.  | 02.08.06 RA |                   |  |             |   |
|   |             | Insp.  |             |                   |  |             |   |
|   |             | Stand.   |             |                   |  |             |   |
| DRS490A                                       | 06.04.09 MS | HARTING Electronics GmbH & Co. KG<br>D-32339 ESPELKAMP |             |                   | TB 09 47 39 00 0xx   | Blatt/ page |   |
| 33681   |             |  |             |                   |  | 1           |   |
| Mod.  | Dat.        | Name   |             |                   |  | Sub.        | 2 |

Alle Rechte vorbehalten/ All rights reserved

| cont-No. | Part-No.        | Type of cable     | Dim. a |
|----------|-----------------|-------------------|--------|
| 1        | 09 47 39 00 001 | AWG 22/1 solid    | 0,5 m  |
| 2        | 09 47 39 00 002 | AWG 22/1 solid    | 1 m    |
| 3        | 09 47 39 00 003 | AWG 22/1 solid    | 1,5 m  |
| 4        | 09 47 39 00 004 | AWG 22/1 solid    | 2 m    |
| 5        | 09 47 39 00 005 | AWG 22/1 solid    | 3 m    |
| 6        | 09 47 39 00 006 | AWG 22/1 solid    | 4 m    |
| 7        | 09 47 39 00 007 | AWG 22/1 solid    | 5 m    |
| 8        | 09 47 39 00 008 | AWG 22/1 solid    | 6 m    |
| 9        | 09 47 39 00 009 | AWG 22/1 solid    | 7 m    |
| 10       | 09 47 39 00 010 | AWG 22/1 solid    | 8 m    |
| 11       | 09 47 39 00 011 | AWG 22/1 solid    | 9 m    |
| 12       | 09 47 39 00 012 | AWG 22/1 solid    | 10 m   |
| 13       | 09 47 39 00 013 | AWG 22/1 solid    | 15 m   |
| 14       | 09 47 39 00 014 | AWG 22/1 solid    | 20 m   |
| 15       | 09 47 39 00 015 | AWG 22/1 solid    | 30 m   |
| 16       | 09 47 39 00 016 | AWG 22/1 solid    | 40 m   |
| 17       | 09 47 39 00 017 | AWG 22/1 solid    | 50 m   |
| 18       | 09 47 39 00 018 | AWG 22/1 solid    | 60 m   |
| 19       | 09 47 39 00 019 | AWG 22/1 solid    | 70 m   |
| 20       | 09 47 39 00 020 | AWG 22/1 solid    | 80 m   |
| 21       | 09 47 39 00 021 | AWG 22/1 solid    | 90 m   |
| 22       | 09 47 39 00 022 | AWG 22/1 solid    | 100 m  |
| 23       | 09 47 39 00 023 | AWG 22/7 stranded | 0,5 m  |
| 24       | 09 47 39 00 024 | AWG 22/7 stranded | 1 m    |
| 25       | 09 47 39 00 025 | AWG 22/7 stranded | 1,5 m  |
| 26       | 09 47 39 00 026 | AWG 22/7 stranded | 2 m    |
| 27       | 09 47 39 00 027 | AWG 22/7 stranded | 3 m    |
| 28       | 09 47 39 00 028 | AWG 22/7 stranded | 4 m    |
| 29       | 09 47 39 00 029 | AWG 22/7 stranded | 5 m    |
| 30       | 09 47 39 00 030 | AWG 22/7 stranded | 6 m    |
| 31       | 09 47 39 00 031 | AWG 22/7 stranded | 7 m    |
| 32       | 09 47 39 00 032 | AWG 22/7 stranded | 8 m    |
| 33       | 09 47 39 00 033 | AWG 22/7 stranded | 9 m    |
| 34       | 09 47 39 00 034 | AWG 22/7 stranded | 10 m   |
| 35       | 09 47 39 00 035 | AWG 22/7 stranded | 15 m   |
| 36       | 09 47 39 00 036 | AWG 22/7 stranded | 20 m   |
| 37       | 09 47 39 00 037 | AWG 22/7 stranded | 30 m   |
| 38       | 09 47 39 00 038 | AWG 22/7 stranded | 40 m   |
| 39       | 09 47 39 00 039 | AWG 22/7 stranded | 50 m   |
| 40       | 09 47 39 00 040 | AWG 22/7 stranded | 60 m   |
| 41       | 09 47 39 00 041 | AWG 22/7 stranded | 70 m   |
| 42       | 09 47 39 00 042 | AWG 22/7 stranded | 80 m   |
| 43       | 09 47 39 00 043 | AWG 22/7 stranded | 90 m   |
| 44       | 09 47 39 00 044 | AWG 22/7 stranded | 100 m  |
| 45       | 09 47 39 00 045 | AWG 22/7 trailing | 0,5 m  |
| 46       | 09 47 39 00 046 | AWG 22/7 trailing | 1 m    |
| 47       | 09 47 39 00 047 | AWG 22/7 trailing | 1,5 m  |
| 48       | 09 47 39 00 048 | AWG 22/7 trailing | 2 m    |
| 49       | 09 47 39 00 049 | AWG 22/7 trailing | 3 m    |
| 50       | 09 47 39 00 050 | AWG 22/7 trailing | 4 m    |

| cont-No. | Part-No.        | Type of cable      | Dim. a |
|----------|-----------------|--------------------|--------|
| 51       | 09 47 39 00 051 | AWG 22/7 trailing  | 5 m    |
| 52       | 09 47 39 00 052 | AWG 22/7 trailing  | 6 m    |
| 53       | 09 47 39 00 053 | AWG 22/7 trailing  | 7 m    |
| 54       | 09 47 39 00 054 | AWG 22/7 trailing  | 8 m    |
| 55       | 09 47 39 00 055 | AWG 22/7 trailing  | 9 m    |
| 56       | 09 47 39 00 056 | AWG 22/7 trailing  | 10 m   |
| 57       | 09 47 39 00 057 | AWG 22/7 trailing  | 15 m   |
| 58       | 09 47 39 00 058 | AWG 22/7 trailing  | 20 m   |
| 59       | 09 47 39 00 059 | AWG 22/7 trailing  | 30 m   |
| 60       | 09 47 39 00 060 | AWG 22/7 trailing  | 40 m   |
| 61       | 09 47 39 00 061 | AWG 22/7 trailing  | 50 m   |
| 62       | 09 47 39 00 062 | AWG 22/7 trailing  | 60 m   |
| 63       | 09 47 39 00 063 | AWG 22/7 trailing  | 70 m   |
| 64       | 09 47 39 00 064 | AWG 22/7 trailing  | 80 m   |
| 65       | 09 47 39 00 065 | AWG 22/7 trailing  | 90 m   |
| 66       | 09 47 39 00 066 | AWG 22/7 trailing  | 100 m  |
| 67       | 09 47 39 00 067 | AWG 22/7 "outdoor" | 0,5 m  |
| 68       | 09 47 39 00 068 | AWG 22/7 "outdoor" | 1 m    |
| 69       | 09 47 39 00 069 | AWG 22/7 "outdoor" | 1,5 m  |
| 70       | 09 47 39 00 070 | AWG 22/7 "outdoor" | 2 m    |
| 71       | 09 47 39 00 071 | AWG 22/7 "outdoor" | 3 m    |
| 72       | 09 47 39 00 072 | AWG 22/7 "outdoor" | 4 m    |
| 73       | 09 47 39 00 073 | AWG 22/7 "outdoor" | 5 m    |
| 74       | 09 47 39 00 074 | AWG 22/7 "outdoor" | 6 m    |
| 75       | 09 47 39 00 075 | AWG 22/7 "outdoor" | 7 m    |
| 76       | 09 47 39 00 076 | AWG 22/7 "outdoor" | 8 m    |
| 77       | 09 47 39 00 077 | AWG 22/7 "outdoor" | 9 m    |
| 78       | 09 47 39 00 078 | AWG 22/7 "outdoor" | 10 m   |
| 79       | 09 47 39 00 079 | AWG 22/7 "outdoor" | 15 m   |
| 80       | 09 47 39 00 080 | AWG 22/7 "outdoor" | 20 m   |
| 81       | 09 47 39 00 081 | AWG 22/7 "outdoor" | 30 m   |
| 82       | 09 47 39 00 082 | AWG 22/7 "outdoor" | 40 m   |
| 83       | 09 47 39 00 083 | AWG 22/7 "outdoor" | 50 m   |
| 84       | 09 47 39 00 084 | AWG 22/7 "outdoor" | 60 m   |
| 85       | 09 47 39 00 085 | AWG 22/7 "outdoor" | 70 m   |
| 86       | 09 47 39 00 086 | AWG 22/7 "outdoor" | 80 m   |
| 87       | 09 47 39 00 087 | AWG 22/7 "outdoor" | 90 m   |
| 88       | 09 47 39 00 088 | AWG 22/7 "outdoor" | 100 m  |

|   |                   |                                   |             |   |   |
|---|-------------------|-----------------------------------|-------------|---|---|
|  All Dimensions in mm<br>Original Size DIN A 3 | Techn. Character. |                                   |             | Nicht tolerierte Maß/Free size tolerances   |   |
|   |                   | Dat.                              | Name        | Maßstab/Scale   | <b>RJI cord 1xPush Pull overmolded,<br/>angled, 0°pos., 4xAWG22, IP67, CAT5</b> |
|   |                   | Detail.                           | 02.08.06 RA |   |   |
|   |                   | Insp.                             |             |   |   |
|   | Stand.            |                                   |             |   |   |
| DRS490A   | 06.04.09 MS       | HARTING Electronics GmbH & Co. KG |             |  <b>TB 09 47 39 00 0xx</b> | Blatt/ page<br>2/2  |
| 33681   |                   | D-32339 ESPELKAMP                 |             |   |   |
| Mod.  | Dat.              | Name                              | Sub.        |   |   |