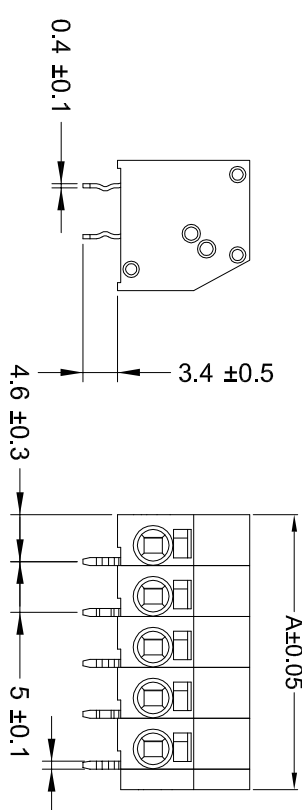
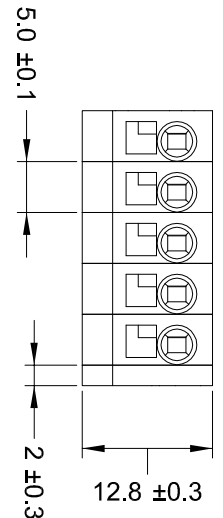
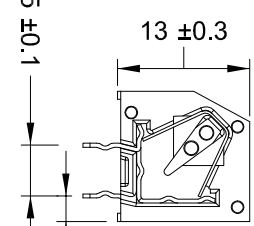


- NOTES :
- △ MATERIALS AND FINISH:
 - HOUSING: PA66
 - CONTACTS: COPPER ALLOY, FINISH: TIN OVER NICKEL UNDERPLATE
 - SPRING: STAINLESS STRIP STEEL
 - 2. MUST COMPLY WITH DIRECTIVE 2002/95/EC (ROHS)
 - 3. WIRE TYPES AND SIZES ACCEPTED
 SOLID WIRE: 16AWG~20AWG,
 STRIP LENGTH: 7.5mm~8.5mm
 - 4. PACKAGED IN TRAY.
 - 5. CURRENT RATING: 10Amp AC300V.
 - 6. OPERATION TEMPERATURE: -40°C TO +105°C

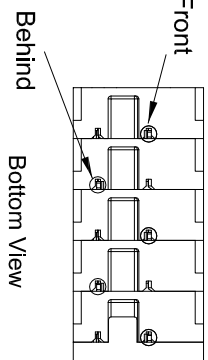


DETAIL INNER



- COLOR CODE: _____
- SERIES CODE _____
- PIN No: _____
- 1=GREEN
 - 2=BLUE
 - 3=BROWN
 - 4=ORANGE
 - 5=GREY
 - 6=RED
 - 7=YELLOW
 - 8=PURPLE
 - 9=WHITE
 - 0=BLACK
- 2=2 POSN
 - 3=3 POSN
 - 4=4 POSN
 - 5=5 POSN
 - 6=6 POSN
 - 7=7 POSN
 - 8=8 POSN

REMARK: THE DIFFERENT COLORS COULD BE COMBINED TO THE NEW CONNECTOR P/Ns FOR CUSTOMER REQUEST.



42.00	8 POSN	
37.00	7 POSN	
32.00	6 POSN	
27.00	5 POSN	
22.00	4 POSN	
17.00	3 POSN	
12.00	2 POSN	
A	NO. OF POSITIONS	

THIS DRAWING IS A CONTROLLED DOCUMENT

DESIGNER	CHK	DATE	REV
INTEGRATOR	DATE	REV	
APPROVER	DATE	REV	
DATE	REV		

DATE: 11-4-07/08

SCALE: 1:1

SHEET: 1 OF 1

REV: A

STP TE Connectivity

50mm Pitch Modular Screwless Conn.

SIZE: 1 CODE: 100779

DATE: 11-4-07/08

REV: A