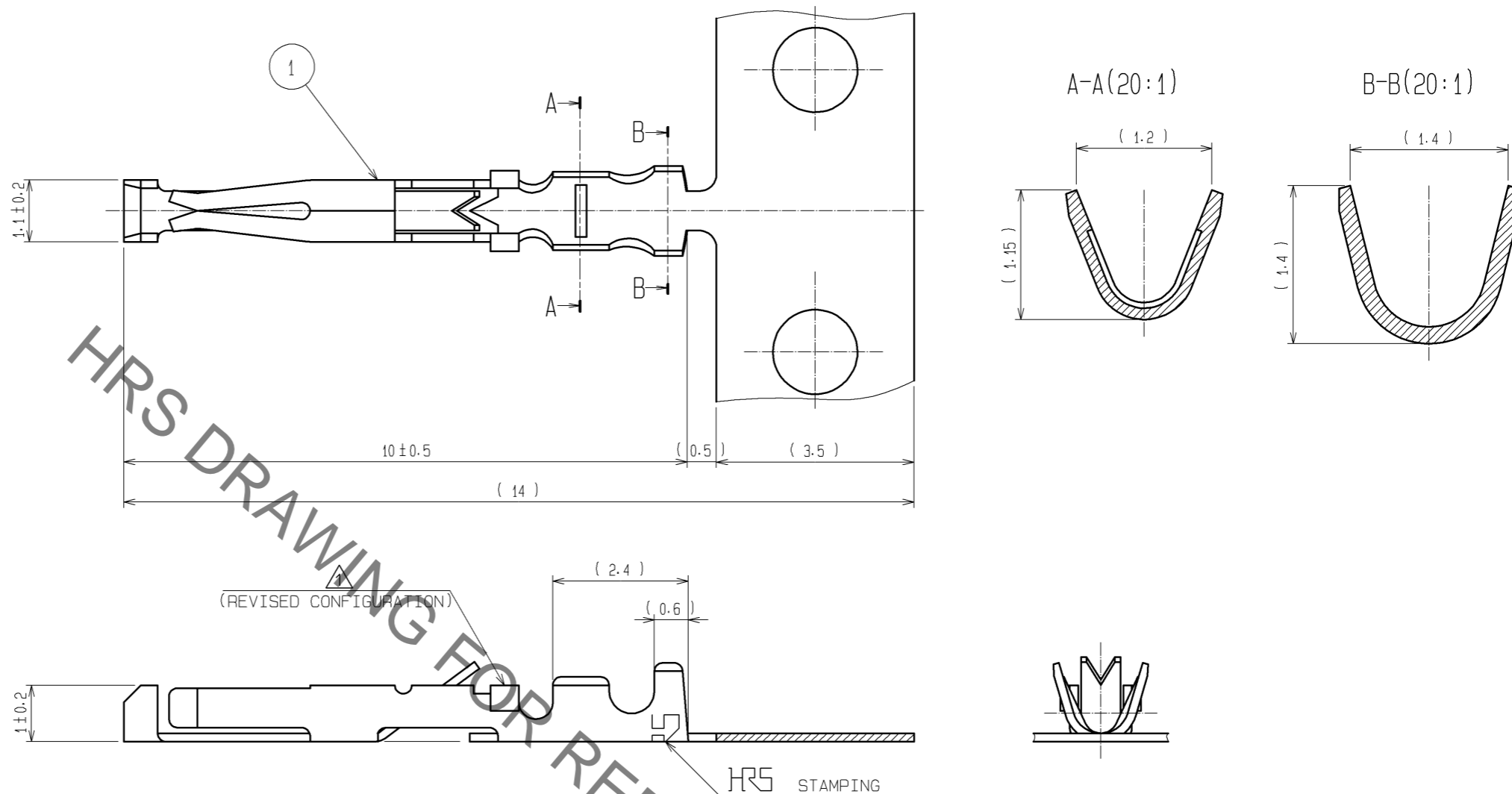


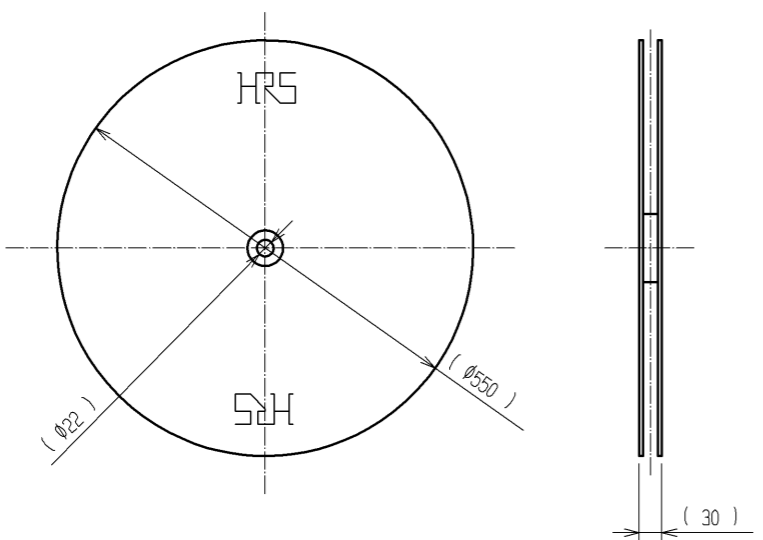
Jul.1.2019 Copyright 2019 HIROSE ELECTRIC CO., LTD. All Rights Reserved.
 In case of consideration for using Automotive equipment / device which demand high reliability, kindly contact our sales window correspondents.



HRS DRAWING FOR REFERENCE

NOTE 1 APPLICABLE WIRE : AWG#26~#30

② REEL (1:10)



1	PHOSPHOR BRONZE	SILVER PLATED(n=10000)	2	CARTON	(REEL)
NO.	MATERIAL	FINISH . REMARKS	NO.	MATERIAL	FINISH . REMARKS
UNITS mm			SCALE 10:1	COUNT 1	DESCRIPTION OF REVISIONS DIS-C-001429
APPROVED : MR. YOSHIDA			05.01.05	DESIGNED HK. NAMAI	CHECKED HY. KISHI
CHECKED : MO. SATOH			05.01.05	DATE 09.11.17	
DESIGNED : YH. YAMADA			05.01.05	DRAWING NO. EDC3-021313	
DRAWN : YH. YAMADA			05.01.05	PART NO. HR12-SC-212	
HRS HIROSE ELECTRIC CO., LTD.			CODE NO. CL112-0408-9-00		