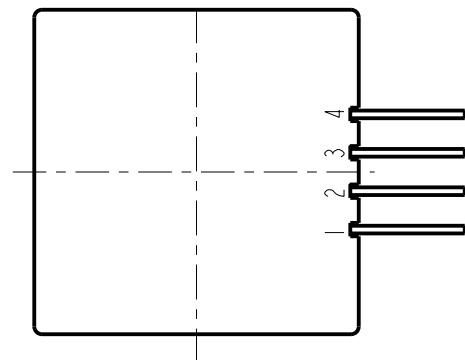
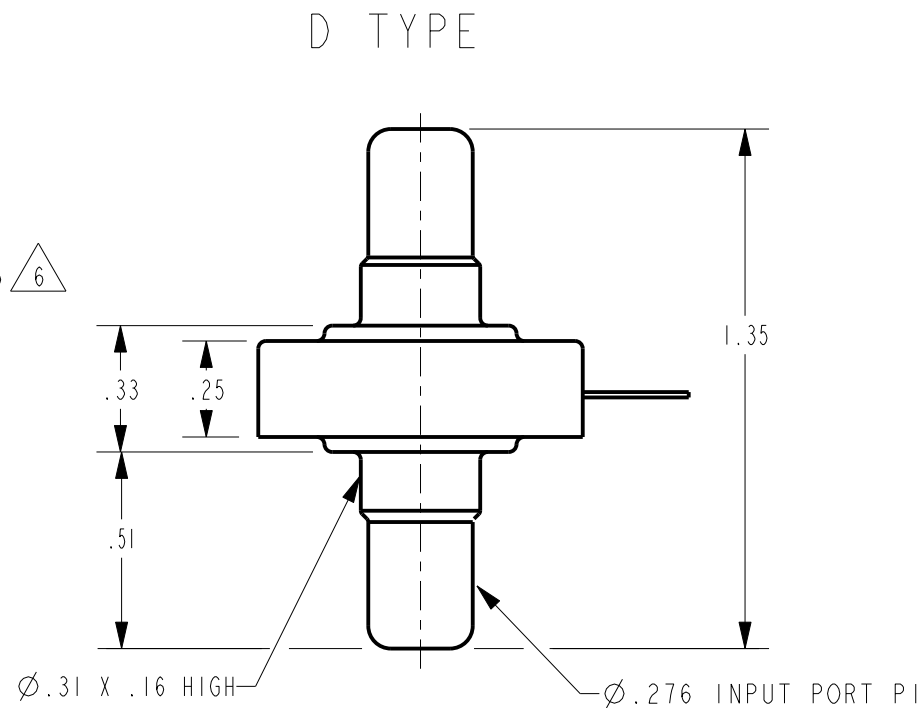
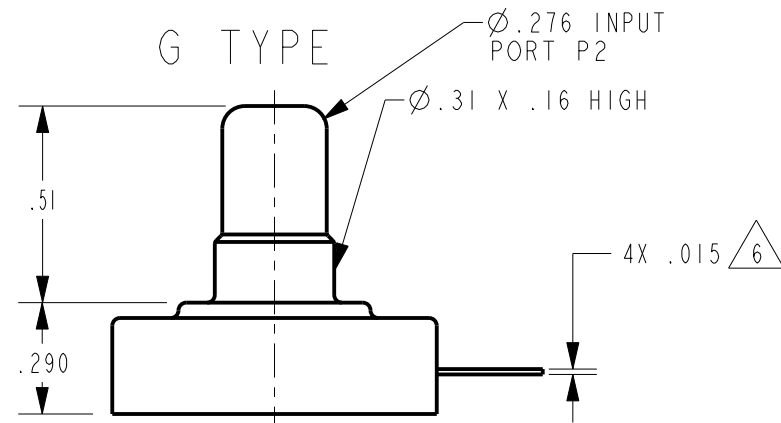
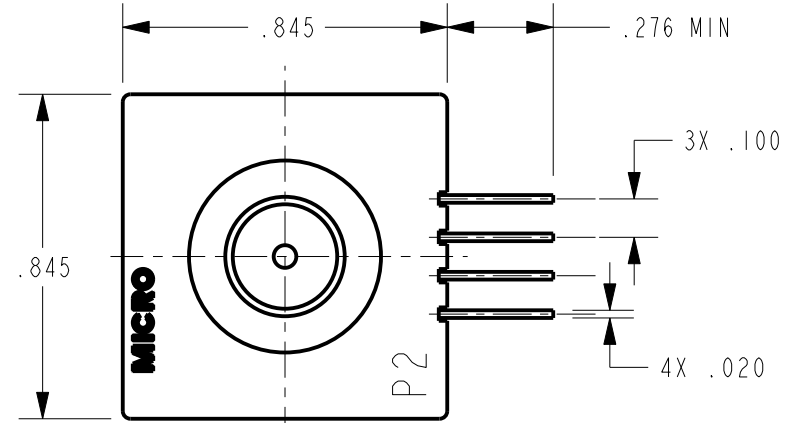


CATALOG LISTING

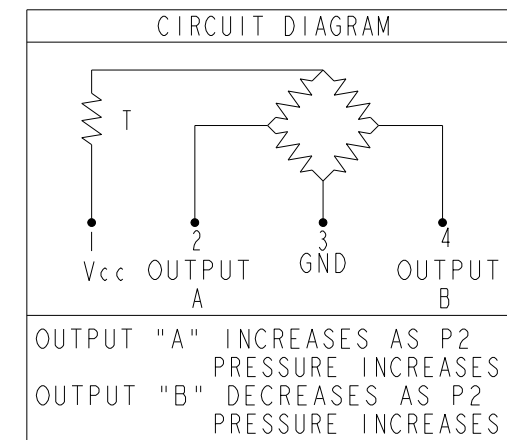
| |
|------------|
| 176PC07HD2 |
| 176PC14HG2 |
| 176PC14HD2 |
| 176PC28HG2 |
| 176PC28HD2 |

GENERAL OPERATING CHARACTERISTICS
(ELECTRICAL PERFORMANCE AT 10.00±0.01 VDC EXCITATION, 25°C)

| PARAMETERS | PRESSURE RANGES (H ₂ O) | MIN | TYP | MAX | UNITS |
|--|------------------------------------|---------------------------------|------|-------|----------------------|
| NULL OFFSET | ALL | -2 | 0 | +2 | mV |
| NULL SHIFT $\triangle 2$ 0° ← 25° C → 50° | | | ±3.0 | | |
| (P ₂ > P ₁) SPAN $\triangle 1$ | 0 TO 28 D&G | 40 | 42 | 44 | mV |
| | 0 TO 14 D&G | 33 | 35 | 37 | |
| | 0 TO 07 D&G | 26 | 28 | 30 | |
| (P ₂ > P ₁) SENSITIVITY PER IN. H ₂ O | 0 TO 28 D&G | | 1.5 | | %SPAN |
| | 0 TO 14 D&G | | 2.5 | | |
| | 0 TO 07 D&G | | 4.0 | | |
| SPAN SHIFT $\triangle 2$ 0° ← 25° C → 50° AT 10 VDC AT 2mA | ALL | | | ±3.5 | %SPAN |
| | | | NONE | | |
| LINEARITY (BFSL) (P ₂ > P ₁) (P ₁ > P ₂) (P ₂ > P ₁) (P ₁ > P ₂) (P ₂ > P ₁) (P ₁ > P ₂) | 0 TO 28 D&G | | | ±3.0 | %SPAN |
| | 0 TO 28 D | | | ±1.5 | |
| | 0 TO 14 D&G | | | ±3.0 | |
| | 0 TO 14 D | | | ±1.5 | |
| | 0 TO 07 D&G | | | ±3.0 | |
| REPEATABILITY & HYSTERESIS | ALL | | | ±0.25 | %SPAN |
| | | | | ±1.5 | |
| STABILITY OVER 1 YEAR | | | | 10 | VDC |
| EXCITATION VOLTAGE | | | | 16 | VDC |
| INPUT RESISTANCE | | | | 6.3K | OHMS |
| (P ₂ > P ₁) (P ₁ > P ₂) OVERPRESSURE | 0 TO 28 D&G | | | 140 | IN. H ₂ O |
| | 0 TO 14 D&G | | | 140 | |
| | 0 TO 07 D&G | | | 140 | |
| TEMPERATURE STORAGE | ALL | -55° TO +125°C (-67° TO +257°F) | | | |
| OPERATE | | -40° TO +85°C (-40° TO +185°F) | | | |
| COMPENSATED | | 0°C TO +50°C (+32° TO +122°F) | | | |



- NOTES
- SPAN IS THE ALGEBRAIC DIFFERENCE BETWEEN END POINTS (OUTPUT AT MINIMUM AND MAXIMUM PRESSURE)
 - TEMPERATURE ERROR IS CALCULATED WITH RESPECT TO 25°C AND EXPRESSES THE DEVIATION THAT COULD OCCUR AS TEMPERATURE IS RAISED OR LOWERED TO LIMITS INDICATED
 - INPUT MEDIA: P₁ - DRY GASES ONLY: CONNECTION SIDE OF SENSOR
P₂ - LIMITED ONLY TO THOSE MEDIA THAT WILL NOT ATTACK POLYESTER, SILICON OR SILICONE BASED ADHESIVE
 - TERMINALS ARE PLATED FOR SOLDERING
 - LIMIT SOLDERING TO 315°C FOR 10 SECONDS MAX
 - LISTINGS ENDING WITH THE NUMBER 2 INDICATES STRAIGHT LEADS



THIRD ANGLE PROJECTION

SCALE 2 : 1

DO NOT SCALE PRINT

UNLESS OTHERWISE SPECIFIED TOLERANCES ARE

| | |
|--------------------|-------|
| ONE PLACE (.0) | ±.030 |
| TWO PLACE (.00) | ±.015 |
| THREE PLACE (.000) | ±.005 |
| ANGLES | ± |

WEIGHT 2 OZ