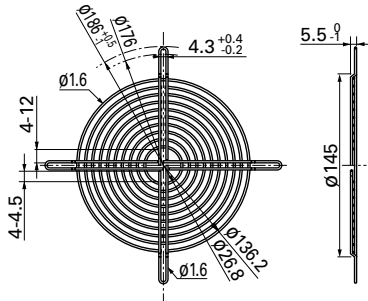


140 mm sq. type

| Model no. | Surface treatment | Mass (g) |
|-----------|--------------------------------|----------|
| 109-719 | Nickel-chrome plating (silver) | 51 |
| 109-719H | Cation electropainting (black) | |

Inlet side, Outlet side



Mounting example

Axial fan

