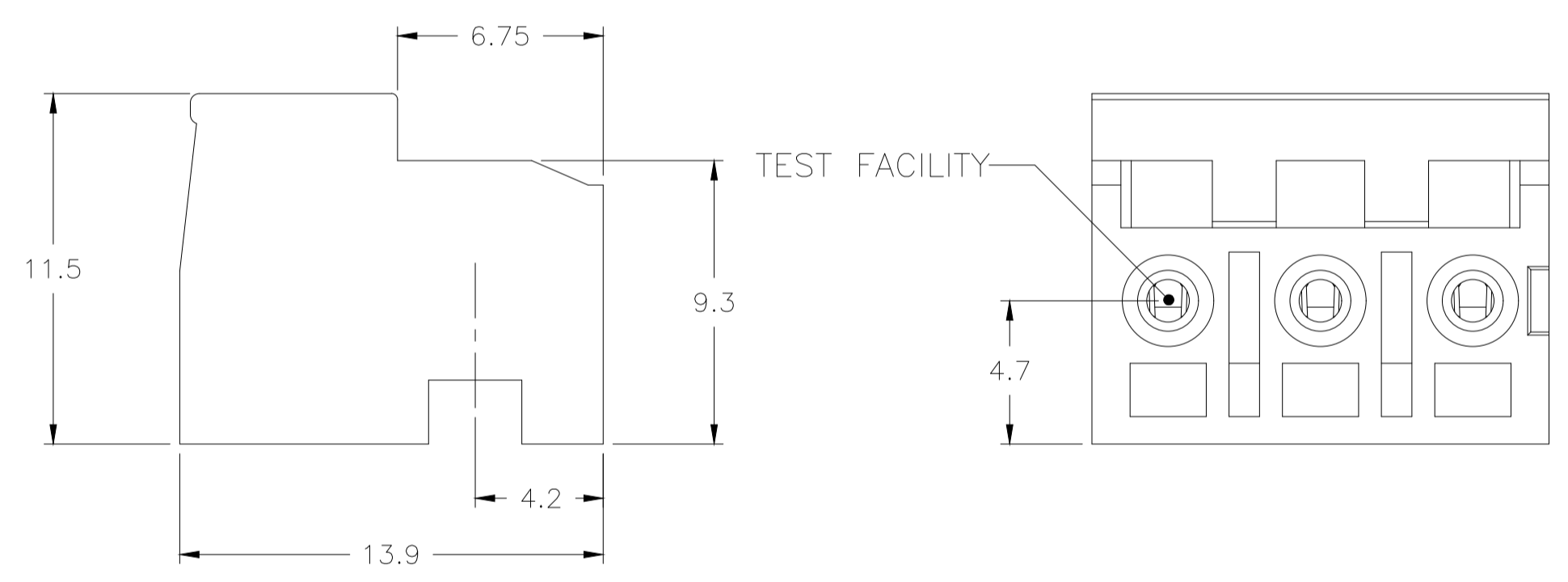
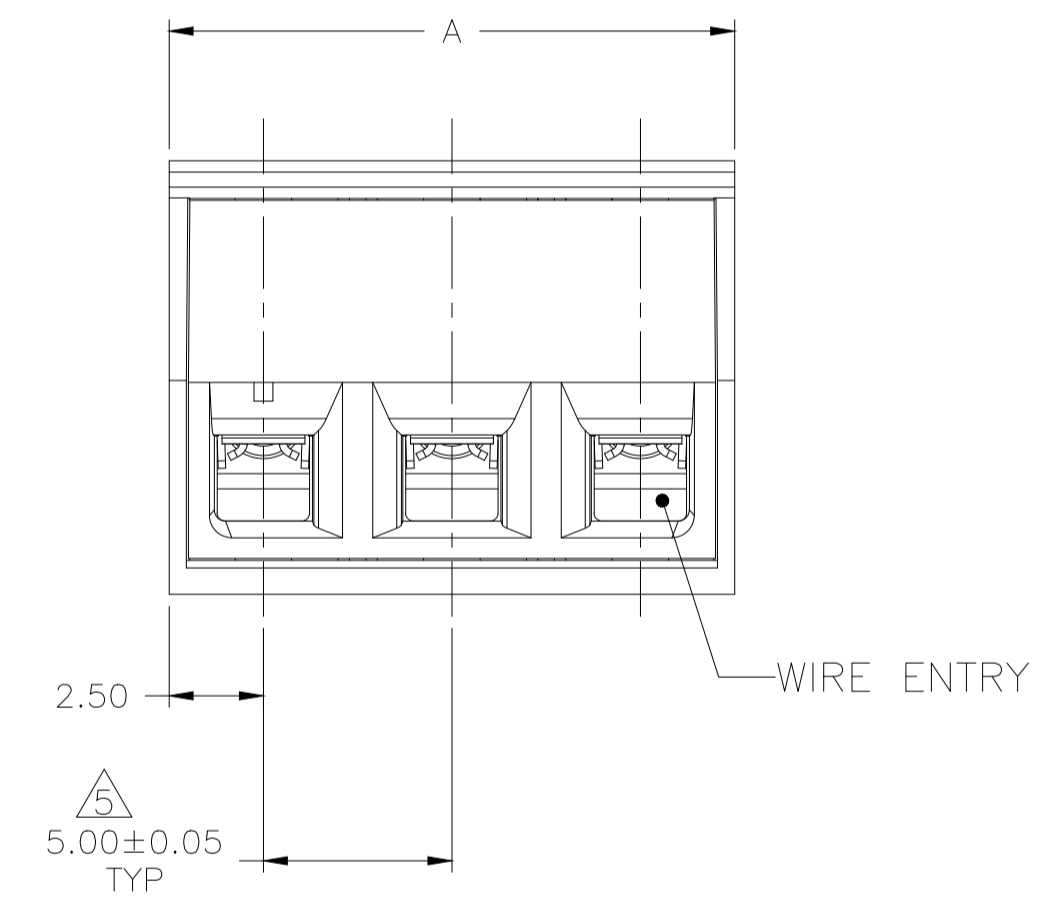
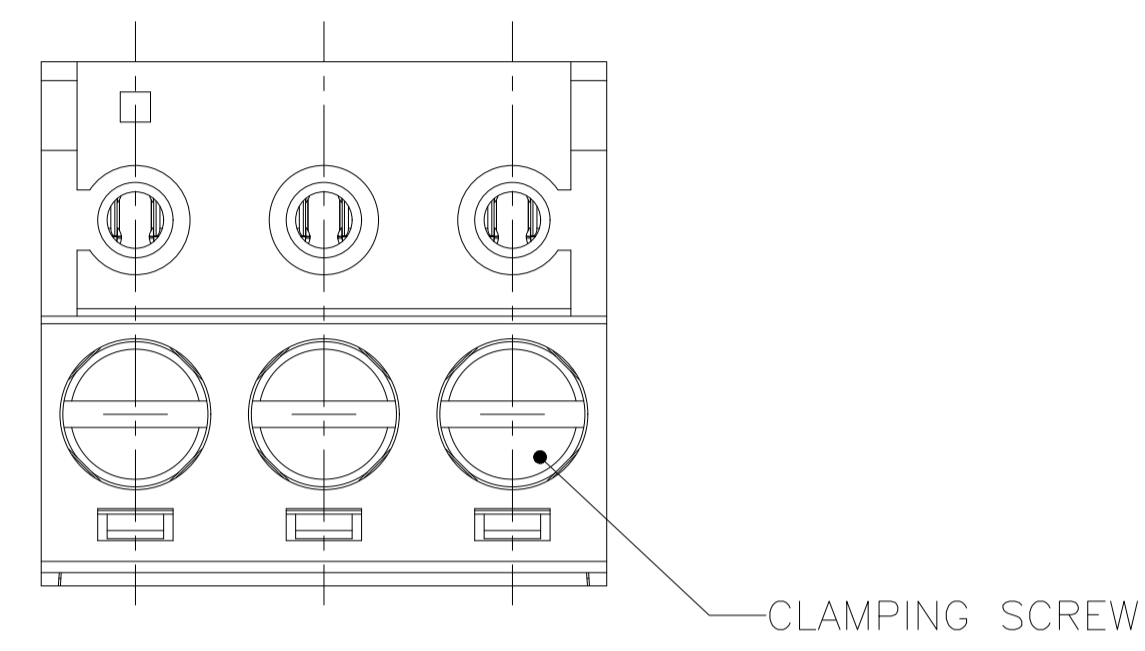


| REVISIONS |     |                      |           |       |
|-----------|-----|----------------------|-----------|-------|
| P         | LTR | DESCRIPTION          | DATE      | APP'D |
| L6        |     | P/N 3-282830-8 ADDED | 17JAN2018 | RK PS |

NOTES:

- 1 MATERIALS AND FINISH  
 HOUSING: PA 6-6, UL 94-V0, COLOR: GREEN.  
 CLAMP: BRASS, NICKEL PLATED.  
 CONTACT: PHOSPHOR BRONZE, TIN PLATED.  
 CLAMPING SCREW: M3, BRASS, NICKEL PLATED.
- 3. RECOGNIZED UNDER THE COMPONENT PROGRAM OF UNDERWRITERS LABORATORIES INC. FILE NO. E60677.
- 4. IMQ CERTIFICATE WITH SURVEILLANCE IN CONFORMITY WITH IEC 998-1/998-2-1.
- 5 NOT CUMULATIVE TOLERANCE.
- 6 INK MARKING, BLACK COLOR.
- 7 INK MARKING, WHITE COLOR.
- 8 WIRE ENTRY IN THE CLOSED POSITION.
- 9 SEE FIGURE.
- 10 END TO END STACKABLE W/O LOSS OF CENTERLINE SPACING.
- 11. MECHANICAL:  
 INSERTION FORCE PER POLE MAX 2N (MAX .450 lbf)  
 WITHDRAWAL FORCE PER POLE MIN 1.2N (MAX .270 lbf)  
 RECOMMENDED/HIGHEST TIGHTENING TORQUE 0.5/0.6 Nm (4.42/5.30 lbf in)  
 WIRE STRIPPING LENGTH 4 TO 6 mm (.16 TO .24 in)  
 OPERATING TEMPRATURE RANGE -40°C TO +110°C (-40°F TO +230°F)
- 12. ELECTRICAL:  
 RATED VOLTAGE : 300 V  
 RATED CURRENT 12 A  
 WIRE SIZE RANGE : 14-30 AWG  
 CONTACT RESISTANCE <15 mΩ  
 INSULATION RESISTANCE >1000M Ω (500V DC)



| MARKING | MATERIAL     | THICKNESS    | WIDTH | LENGTH | PART NUMBER |
|---------|--------------|--------------|-------|--------|-------------|
| 9       | TIN          | -            | 20    | 4      | 3-282830-8  |
| 6       | TIN          | -            | 15    | 3      | 3-282830-7  |
|         | 0.254um GOLD | -            | 10    | 2      | 3-282830-6  |
| 8       | TIN          | -            | 30    | 6      | 3-282830-5  |
| 8       | TIN          | -            | 15    | 3      | 3-282830-4  |
| 9       | TIN          | -            | 10    | 2      | 3-282830-3  |
| 6       | TIN          | -            | 45    | 9      | 3-282830-2  |
| 6       | TIN          | -            | 30    | 6      | 3-282830-1  |
| 6       | TIN          | -            | 125   | 3      | 3-282830-0  |
|         | GOLD         | -            | 15    | 3      | 2-282830-9  |
|         | TIN          | 1, 3 THRU 11 | 55    | 10     | 2-282830-8  |
|         | TIN          | 1 THRU 9, 11 | 55    | 10     | 2-282830-7  |
|         | TIN          | -            | 125   | 25     | 2-282830-6  |
|         | TIN          | -            | 120   | 24     | 2-282830-5  |
|         | TIN          | -            | 115   | 23     | 2-282830-4  |
|         | TIN          | -            | 110   | 22     | 2-282830-3  |
|         | TIN          | -            | 105   | 21     | 2-282830-2  |
|         | TIN          | -            | 100   | 20     | 2-282830-1  |
|         | TIN          | -            | 95    | 19     | 2-282830-0  |
|         | TIN          | -            | 90    | 18     | 1-282830-9  |
|         | TIN          | -            | 85    | 17     | 1-282830-8  |
|         | TIN          | -            | 80    | 16     | 1-282830-7  |
|         | TIN          | -            | 75    | 15     | 1-282830-6  |
|         | TIN          | -            | 70    | 14     | 1-282830-5  |
| 6       | TIN          | -            | 65    | 13     | 1-282830-4  |
|         | TIN          | -            | 20    | 4      | 1-282830-3  |
|         | TIN          | -            | 60    | 12     | 1-282830-2  |
|         | TIN          | -            | 55    | 11     | 1-282830-1  |
|         | TIN          | -            | 50    | 10     | 1-282830-0  |
|         | TIN          | -            | 45    | 9      | 282830-9    |
|         | TIN          | -            | 40    | 8      | 282830-8    |
|         | TIN          | -            | 35    | 7      | 282830-7    |
|         | TIN          | -            | 30    | 6      | 282830-6    |
|         | TIN          | -            | 25    | 5      | 282830-5    |
|         | TIN          | -            | 20    | 4      | 282830-4    |
|         | TIN          | -            | 15    | 3      | 282830-3    |
|         | TIN          | -            | 10    | 2      | 282830-2    |

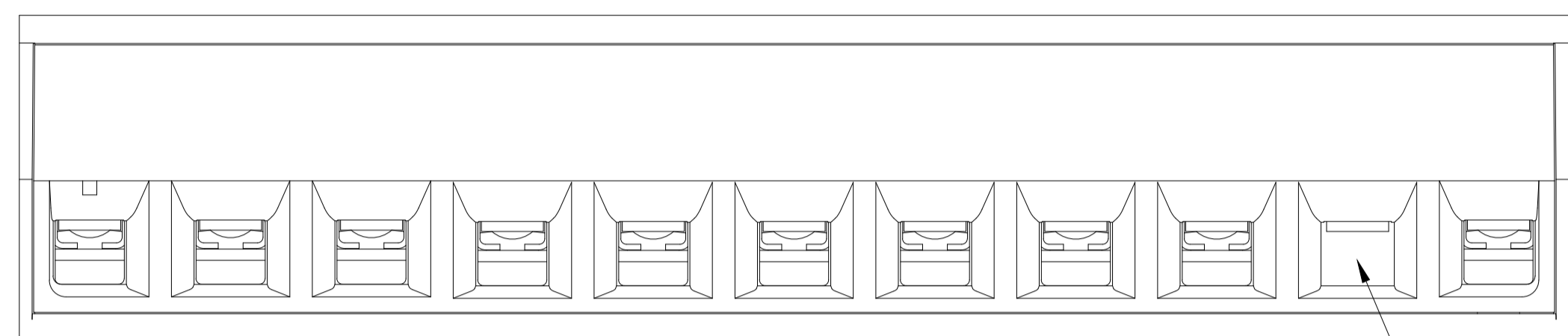
| REMARKS | CONTACT PLATING | SELECT LOADED | A | NO OF POSN | PART NUMBER |
|---------|-----------------|---------------|---|------------|-------------|
|         |                 |               |   |            |             |

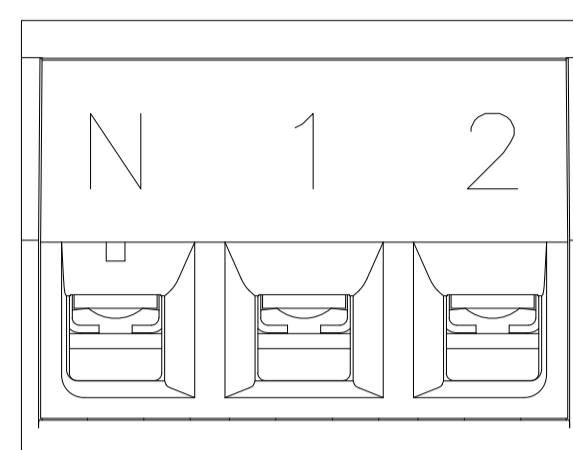
|  |  |                          |  |  |  |
|--|--|--------------------------|--|--|--|
| THIS DRAWING IS A CONTROLLED DOCUMENT. |  | DMN S SCHLEGEL 28AUG2009 |  | TE Connectivity  |  |
| DIMENSIONS: mm                         |  | CHK C RICHARD 8/28/09    |  | NAME   |  |
| TOLERANCES UNLESS OTHERWISE SPECIFIED: |  | APP'D C RICHARD 8/28/09  |  | PRODUCT SPEC   |  |
| 0 PLC ± -                              |  | NAME                     |  | TERMINAL BLOCK PLUG 90/180 DEGREE, STRIGHT SIDE STACKABLE, 5.0mm PITCH |  |
| 1 PLC ± 0.2                            |  | APPLICATION SPEC         |  | -  |  |
| 2 PLC ± 0.15                           |  | SIZE                     |  | A1   |  |
| 3 PLC ± -                              |  | CAGE CODE                |  | 00779  |  |
| 4 PLC ± -                              |  | DRAWING NO               |  | 282830   |  |
| ANGLES ± °                             |  | RESTRICTED TO            |  | -  |  |
| FINISH                                 |  | WEIGHT                   |  | A1 00779 ©=282830  |  |
|  |  | CUSTOMER DRAWING         |  | SCALE 4:1 SHEET 1 OF 2 REV L6  |  |

THIS DRAWING IS UNPUBLISHED. RELEASED FOR PUBLICATION. ALL RIGHTS RESERVED.

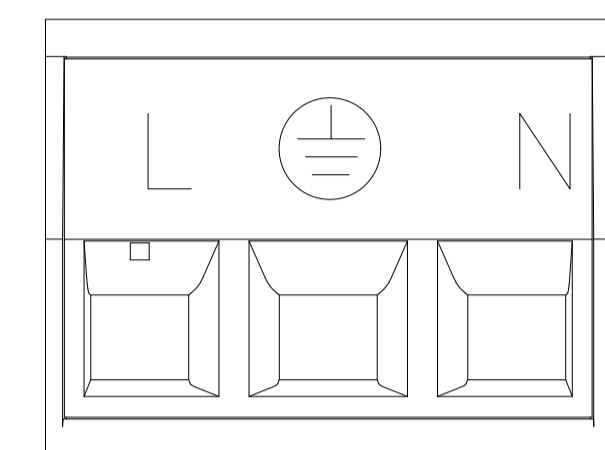
| REVISIONS |      |    |       |             |
|-----------|------|----|-------|-------------|
| REV       | DATE | BY | APP'D | DESCRIPTION |
| -         | -    | -  | -     | SEE SHEET 1 |



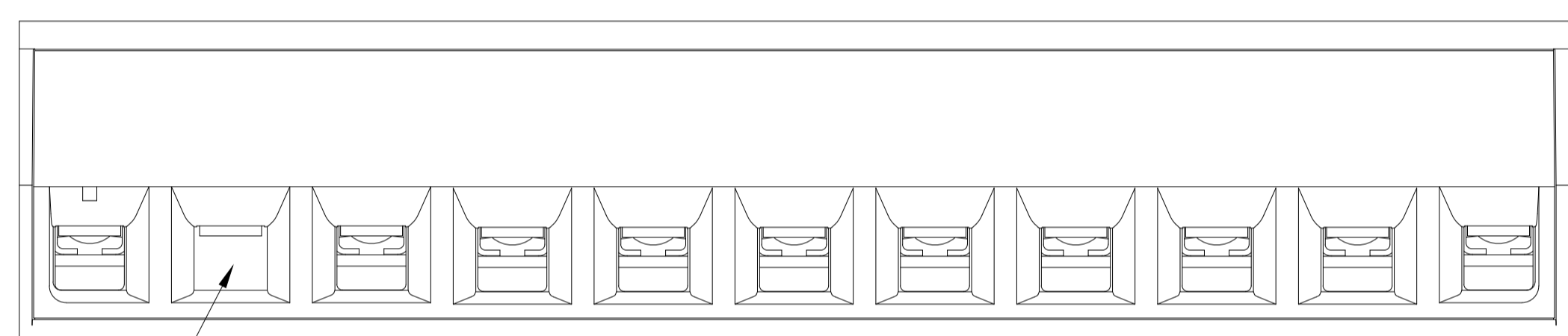
2-282830-7



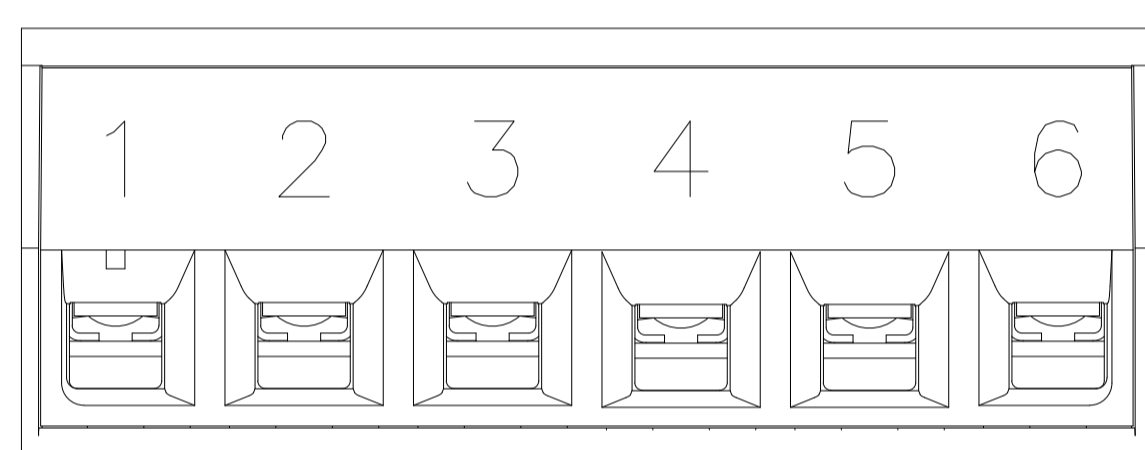
3-282830-0



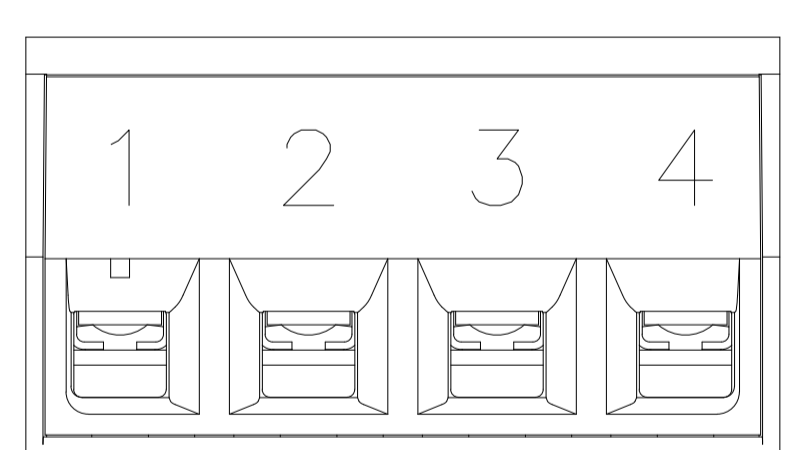
3-282830-7



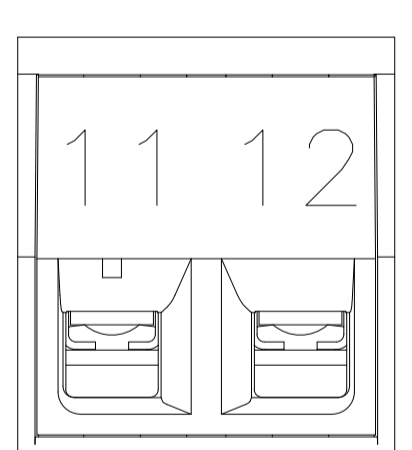
2-282830-8



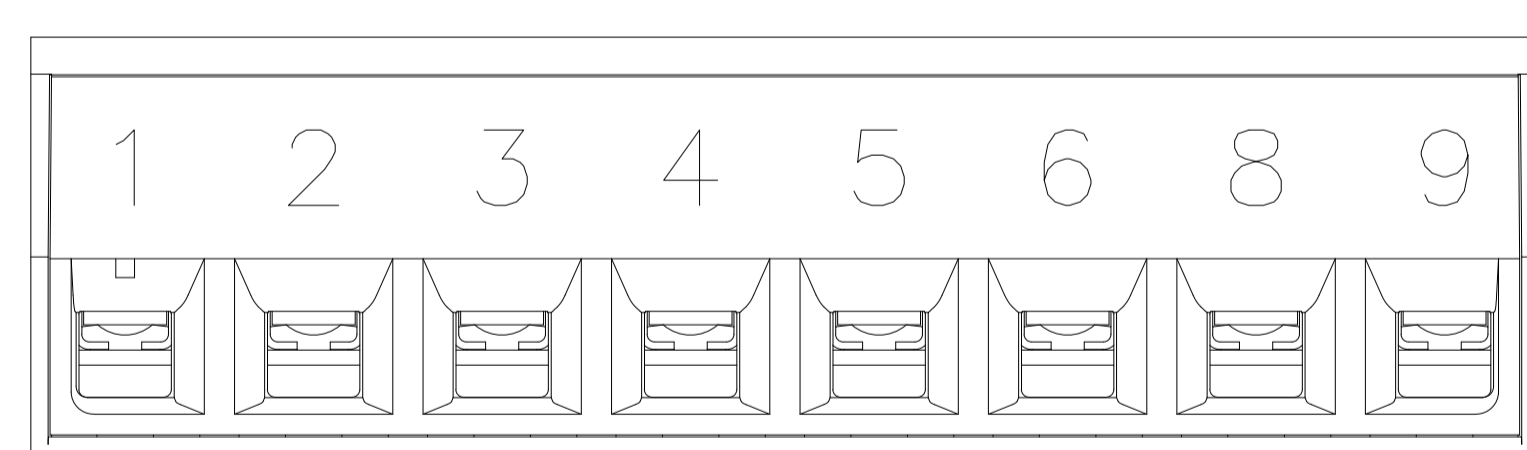
3-282830-1



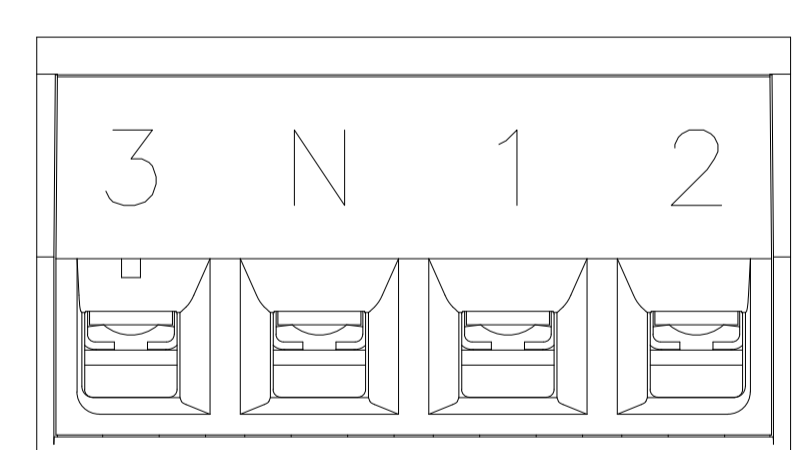
1-282830-3



3-282830-3



3-282830-2



3-282830-8

THIS DRAWING IS A CONTROLLED DOCUMENT.

|                       |  |  |   |                                     |
|-----------------------|--|--|---|-------------------------------------|
| DIMENSIONS:<br>mm<br> | TOLERANCES UNLESS OTHERWISE SPECIFIED:<br>0 PLC ± -<br>1 PLC ± 0.2<br>2 PLC ± 0.15<br>3 PLC ± -<br>4 PLC ± -<br>ANGLES ± °<br>FINISH | DWG: S SCHLEGEL 28AUG2009<br>CHK: C RICHARD 8/28/09<br>APVD: C RICHARD 8/25/09<br>PRODUCT SPEC<br>APPLICATION SPEC<br>WEIGHT<br>CUSTOMER DRAWING | NAME: RICHARD<br>TERMINAL BLOCK PLUG 90/180 DEGREE<br>STRIGHT SIDE STACKABLE, 5.0mm PITCH<br>SIZE: A1<br>CAGE CODE: 00779<br>DRAWING NO: C=282830<br>SCALE: 4:1<br>SHEET: 2 OF 2<br>REV: L6 | RESTRICTED TO: -<br>TE Connectivity |
|-----------------------|--|--|---|-------------------------------------|