

THIS DRAWING IS UNPUBLISHED.

RELEASED FOR PUBLICATION

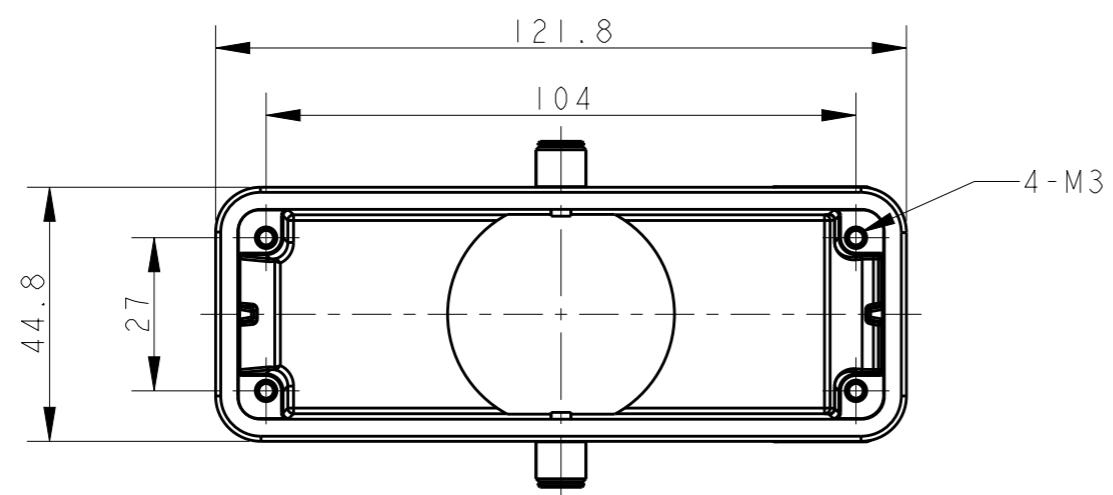
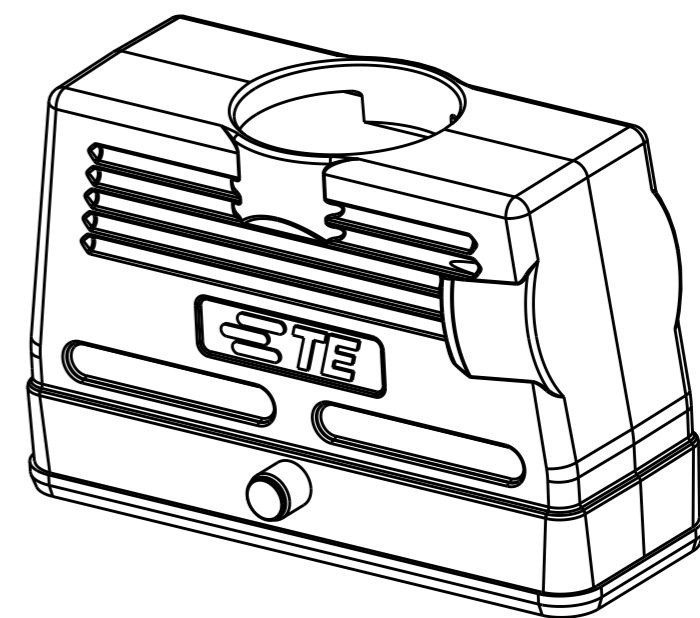
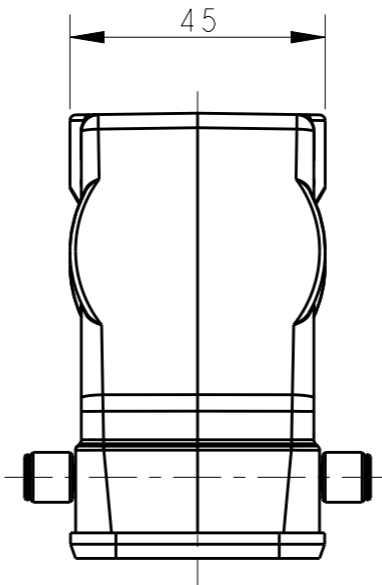
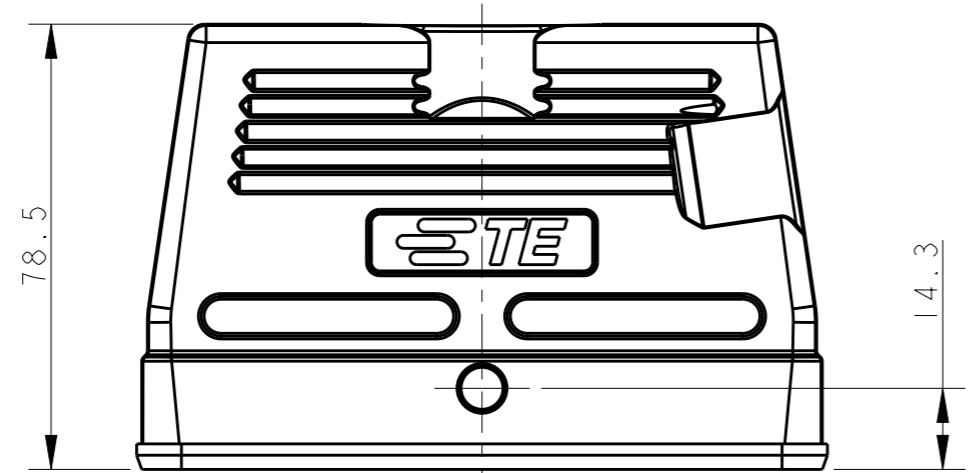
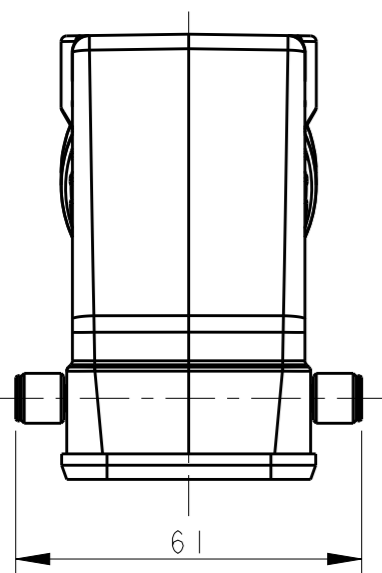
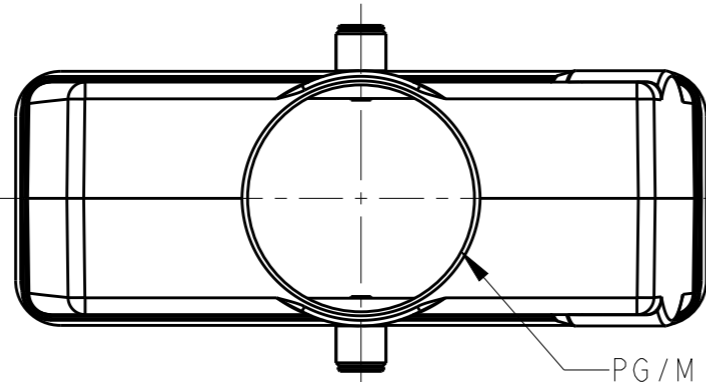
20

© COPYRIGHT 20 BY -

ALL RIGHTS RESERVED.

REVISIONS

| P | LTR | DESCRIPTION | DATE | DWN | APVD |
|---|-----|-----------------|-----------|-----|------|
| | A | INITIAL RELEASE | 25JUN2015 | DL | CW |
| | AI | ECR-15-011116 | 28JUL2015 | DL | CW |
| | | | | | |



NOTES:
 1. TECHNICAL CHARACTERISTICS:
 BODY MATERIAL: DIE CAST ALUMINIUM ALLOY
 SURFACE TREATMENT: POWDER-COATED, GRAY
 OPERATION TEMPERATURE: -40-+125°C
 DEGREE OF PROTECTION: IP65 (MATED)

注释:
 1. 技术参数:
 主体材料: 铝合金
 表面处理: 粉末喷涂, 灰色
 工作温度: -40-+125°C
 防护等级: IP65(配合)

| | | |
|----------------------|---------------------------|------|
| T1930240129-000 | H24B-TSBH-PG29 | PG29 |
| T1930240140-000 | H24B-TSBH-M40 | M40 |
| ASSEMBLY PART NUMBER | ASSEMBLY PART DESCRIPTION | PG/M |

| | | | | | | |
|---|-----|------------------|------------|-----------|----------------------------|------------------|
| THIS DRAWING IS A CONTROLLED DOCUMENT. | | DWN | DAVID LI | 25JUN2015 | STE TE Connectivity | |
| DIMENSIONS: mm | | CHK | CHRIS WANG | 25JUN2015 | | |
| TOLERANCES UNLESS OTHERWISE SPECIFIED: | | APVD | XU XIANG | 25JUN2015 | | |
| 0 PLC ±- 1 PLC ±- 2 PLC ±- 3 PLC ±- 4 PLC ±- ANGLES ±- | | PRODUCT SPEC | 108-137013 | | | |
| MATERIAL | TBD | APPLICATION SPEC | 114-137013 | | NAME | H24B-TSBH-PG/M |
| | | WEIGHT | - | | SIZE | A3 |
| | | Customer Drawing | | | CAGE CODE | - |
| | | | | | DRAWING NO | ©-T19302401XX000 |
| | | | | | RESTRICTED TO | - |
| | | | | | SCALE | 3:4 |
| | | | | | SHEET | 1 OF 1 |
| | | | | | REV | AI |