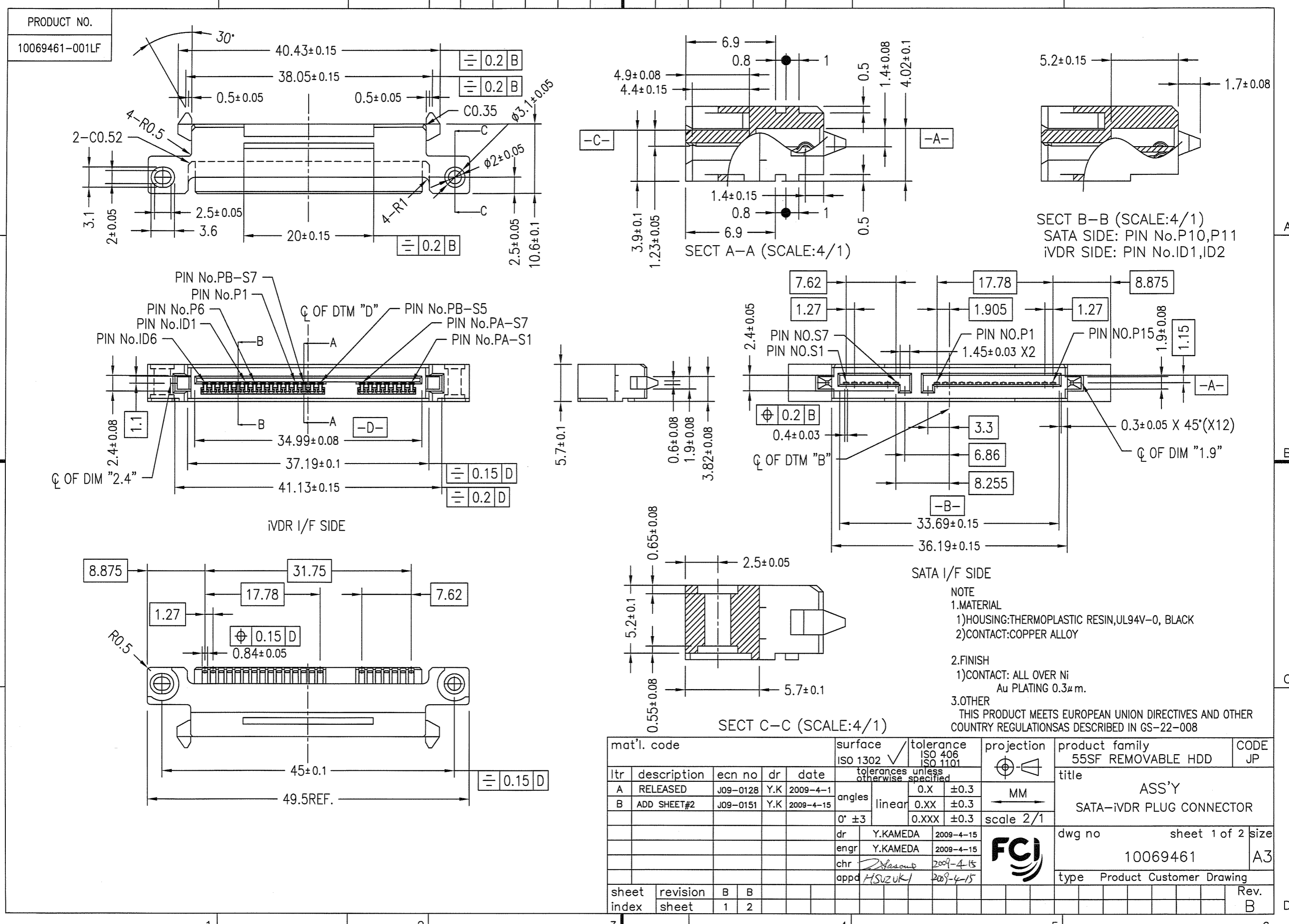


This document is the property of and embodies CONFIDENTIAL and PROPRIETARY information of FCI. No part of the information shown on this document may be used in any way or disclosed to others without the written consent of FCI. Copyright FCI.

FCI CONFIDENTIAL

FCI

FCconnect.com



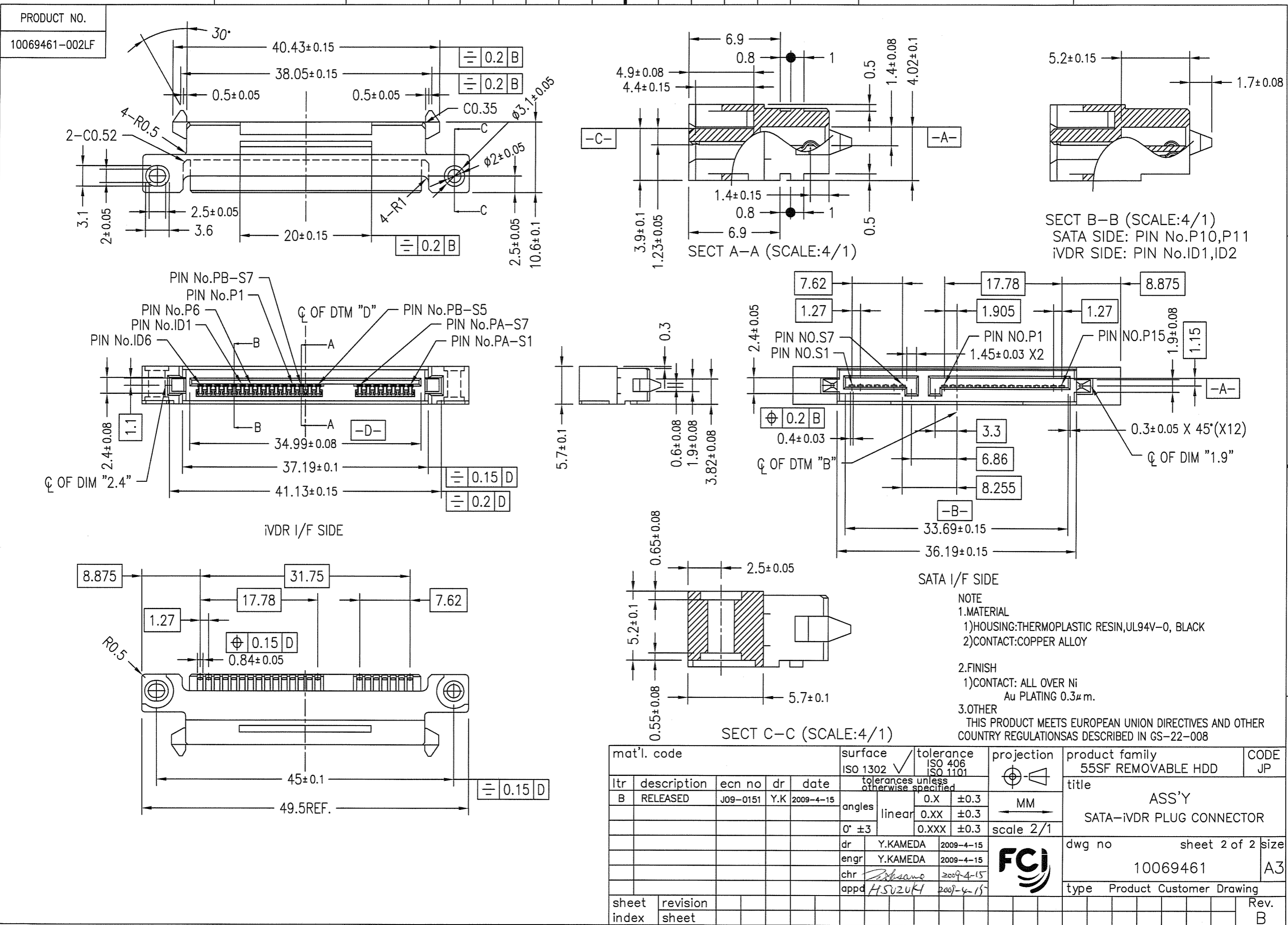
mat'l. code		surface ISO 1302		tolerance ISO 406 ISO 1101		projection		product family 55SF REMOVABLE HDD		CODE JP	
ltr		description		ecn no		dr		date		title	
A		RELEASED		J09-0128		Y.K		2009-4-1		ASS'Y	
B		ADD SHEET#2		J09-0151		Y.K		2009-4-15		SATA-iVDR PLUG CONNECTOR	
										scale 2/1	
										dwg no	
										sheet 1 of 2 size	
										10069461	
										A3	
										type Product Customer Drawing	
sheet index		revision sheet		B 1		B 2				Rev. B	

FCI CONFIDENTIAL

This document is the property of and embodies CONFIDENTIAL and PROPRIETARY information of FCI. No part of the information shown on this document may be used in any way or disclosed to others without the written consent of FCI. Copyright FCI.



FCconnect.com



mat'l. code		surface ISO 1302		tolerance ISO 406 ISO 1101		projection		product family		CODE	
ISO 1302		ISO 406		ISO 1101		MM		55SF REMOVABLE HDD		JP	
tolerances unless otherwise specified		angles linear		0° ±3		scale 2/1		title		ASS'Y	
0° ±3		0.X ±0.3		0.XX ±0.3		0.XXX ±0.3		SATA-iVDR PLUG CONNECTOR		SATA-iVDR PLUG CONNECTOR	
dr Y.KAMEDA 2009-4-15		enr Y.KAMEDA 2009-4-15		chr H.SUZUKI 2009-4-15		appd H.SUZUKI 2009-4-15		dwg no 10069461		sheet 2 of 2 size A3	
sheet index		revision sheet						type Product Customer Drawing		Rev. B	