

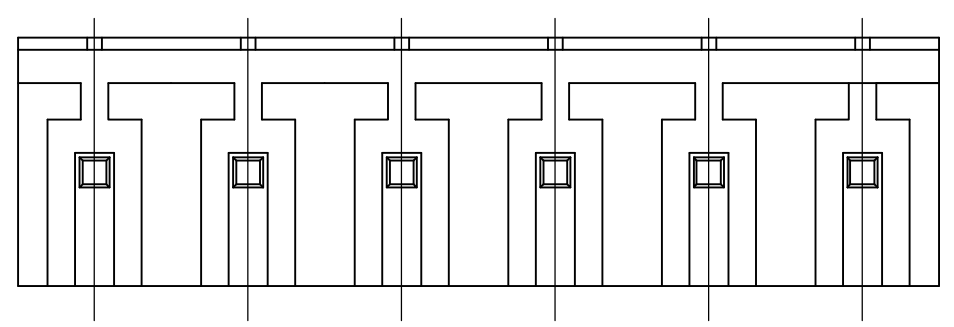
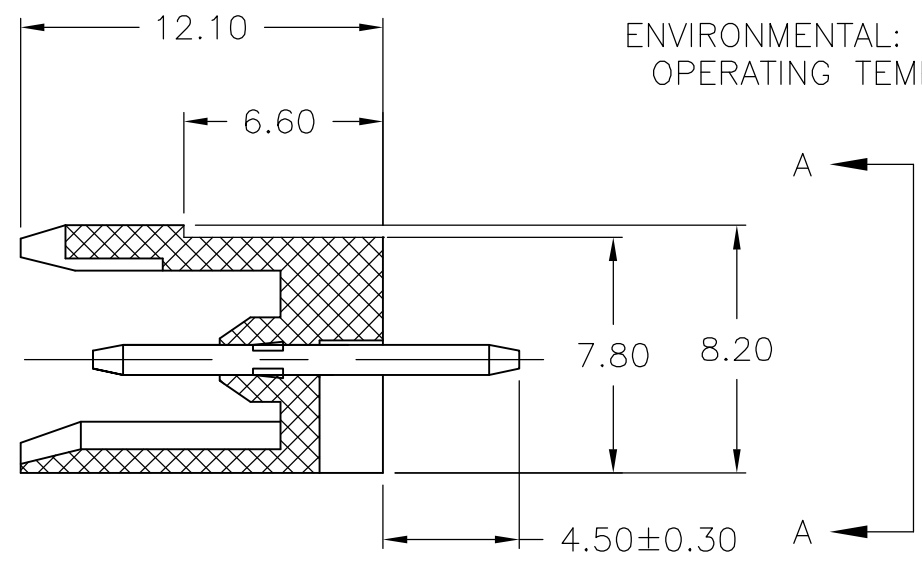
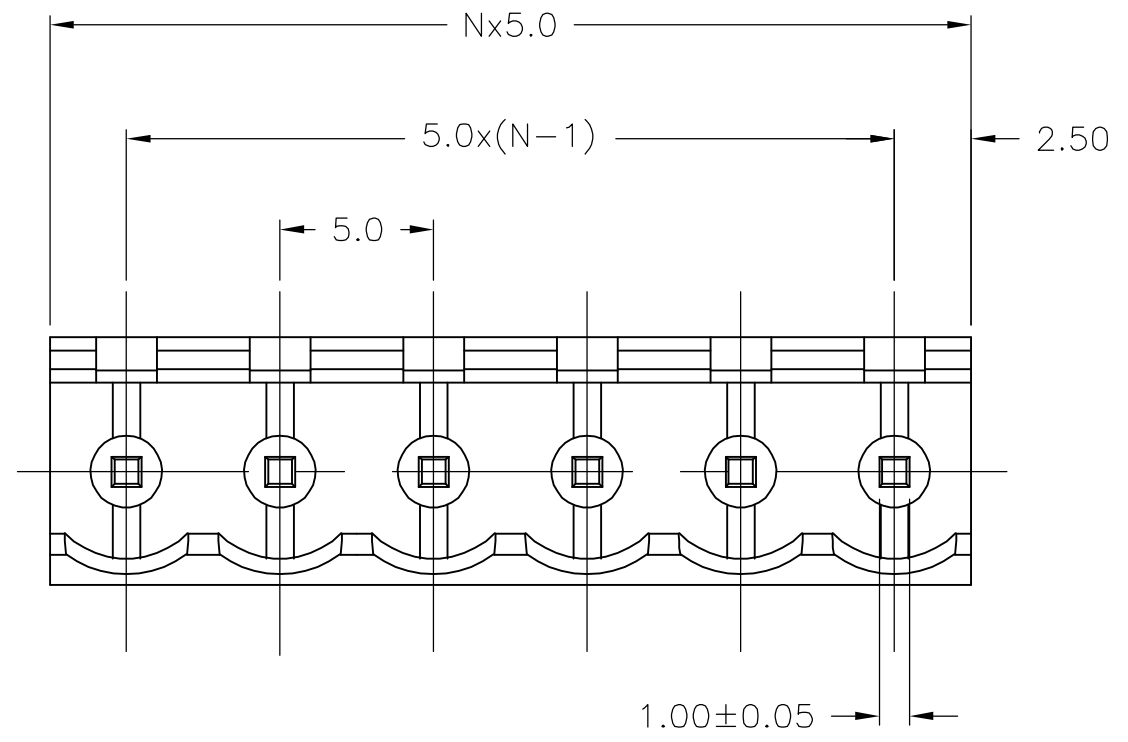
THIS DRAWING IS UNPUBLISHED. RELEASED FOR PUBLICATION
 © COPYRIGHT BY TYCO ELECTRONICS CORPORATION. ALL RIGHTS RESERVED.

LOC	DIST	REVISIONS			
P	LTR	DESCRIPTION	DATE	DWN	APVD
FT	0				
	1	-	2/12/07	SS	CR

MATERIALS:
 HOUSING: PA66, UL94V-0, BLACK
 PIN: BRASS, TIN PLATED.

ELECTRICAL:
 CURRENT: 15A
 VOLTAGE: 300V
 INSULATION RESISTANCE: 5000Mohm/DC1000V
 WITHSTANDING RESISTANCE: AC2000V/ 1 MIN

ENVIRONMENTAL:
 OPERATING TEMP.: -40° TO +105°C



VIEW A-A

THIS PRINT IS
PRELIMINARY
 PRIOR TO CUSTOMER ORDER
 CONTACT PRODUCT ENGINEERING
 BEFORE USING THIS PRINT

60.00±0.25	12	1-1776996-2
DIM L	NO OF POS	PART NUMBER

THIS DRAWING IS A CONTROLLED DOCUMENT.		DWN S SCHLEGEL 12FEB2007	Tyco Electronics Corporation Harrisburg, PA 17105-3608	
DIMENSIONS: mm		CHK C RICHARD 2/12/07		
TOLERANCES UNLESS OTHERWISE SPECIFIED:		APVD C RICHARD 2/12/07		
0 PLC ± - 1 PLC ± 0.1 2 PLC ± 0.20 3 PLC ± - 4 PLC ± - ANGLES ± -		NAME		
MATERIAL		PRODUCT SPEC	VERTICAL HEADER, OPEN END 5.0mm PITCH, 4.5 TAILS, BLACK	
FINISH		APPLICATION SPEC	SIZE	RESTRICTED TO
-		WEIGHT	A3	-
-		CUSTOMER DRAWING	CAGE CODE	DRAWING NO
-		SCALE	00779	1776996
-		SCALE	2:1	SHEET 1 OF 1
-		SCALE	2:1	REV 1