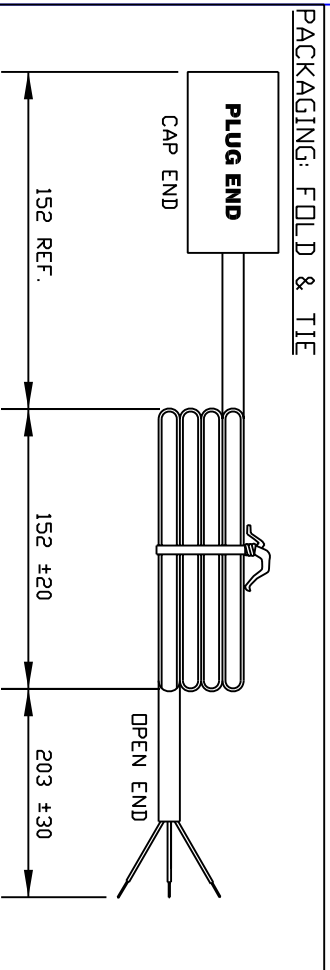


VOLEX RESERVES THE RIGHT TO ALTER NON-CRITICAL DIMENSIONS WITHOUT NOTICE.



PACKAGING: FOLD & TIE

- NOTES:**
- 1) CORDAGE: 18/3, SVT, 60°C, BLACK, LEAD FREE, FOIL SHIELDED WITH DRAIN WIRE.
 - 2) APPROVALS:
 - 3) RATING: 10 AMP/125 VOLTS
 - 4) FLAME RATING: FT2
 - 5) DRAIN WIRE CONNECTED TO GROUND PIN OF PLUG PRIOR TO MOLDING.
 - 6) PACKAGING: 50 PIECES/CARTON
 - 7) ALL DIMENSIONS IN MILLIMETERS.

REV	DESCRIPTION	DATE
1	C.U.D - NEW RELEASE	9/21/07
2	REDRAWN TO SHOW CHINESE MANUFACTURED CORD	12/3/07

SCALE:	ECD:	ITEM DESCRIPTION
NOT TO SCALE	N/A	CORSET - NORTH AMERICAN POWER SUPPLY CORD (9' 10")

TOLERANCE UNLESS OTHERWISE SPECIFIED	APPROVED	DRAWN BY	DATE:
.XXX ± .005 .XX ± .02 .X ± .03 FRACT. ± 1/32 ANGULAR ± 1/2°	STC	STC	9/21/07

FINISH:	JACKET:	PART NO.
SMOOTH	SMOOTH	17741 10 B1

Proprietary Notice:
This document is the property of Volex Incorporated. The information contained herein is not to be disclosed to anyone without the express written consent of Volex Inc.

MATERIAL:
PLUG: PVC, BLK, LEAD FREE
JACKET: PVC, BLK, LEAD FREE

- Indianapolis, IN
- Conover, N.C.
- Freemont, CA
- Aguascalientes, MX
- Tijuana, Mexico
- Hermosillo, MX
- Clinton, AR
- Kanoto, Canada

