

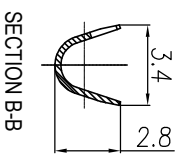
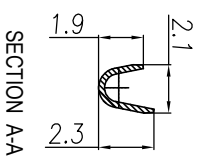
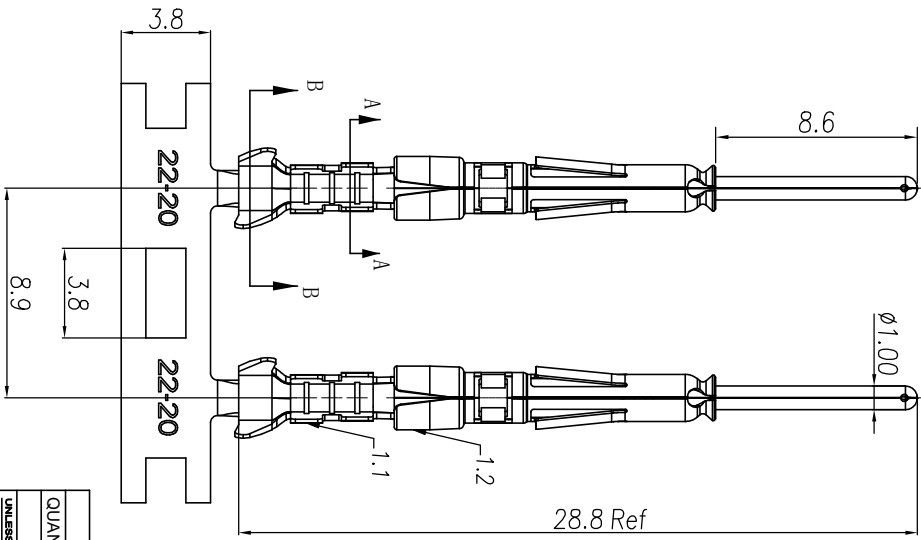
1. MATERIAL:

- 1.1. CONTACT BODY: COPPER ALLOY.
- 1.2. OUTER SPRING: STAINLESS STEEL.

2. SPECIFICATIONS:

- 2.1 CURRENT RATING: 5A MAX.
  - 2.2 TERMINATION TYPE: CRIMPING.
  - 2.3 WIRE RANGE: 22-20AWG.
  - 2.4 WIRE INSULATION DIA(MAX): Ø2.6mm.
3. RoHS COMPLIANT.
4. ALL DIMENSIONS ARE FOR REFERENCE USE ONLY.
5. AVAILABLE TOOLS:
- 5.1 HAND CRIMPER: MFX-3958 (A3)
  - 5.2 CRIMP APPLICATOR: MFX-3957.
  - 5.3 EXTRACTION TOOL: QXRT20.

P/N	CONTACT PLATING(MATING AREA)
SP20W2T	TIN PLATING OVER NICKEL.
SP20W2N	NICKEL PLATING OVER COPPERIZE.
SP20W2F	GOLD FLASH PLATING OVER NICKEL.
SP20W2G5	5µ" GOLD PLATING OVER NICKEL.
SP20W2G10	10µ" GOLD PLATING OVER NICKEL.
SP20W2G15	15µ" GOLD PLATING OVER NICKEL.
SP20W2G30	30µ" GOLD PLATING OVER NICKEL.



REVISIONS					
REV	ECO	DESCRIPTION	DATE	BY	APPR
A1	-	RELEASED DRAWING	Nov-8-17	Rookie Tommy	Tommy
A2	-	ADD THE GS PART NUMBER	Jan-28-19	Blink Tommy	Tommy
A3	-	CHANGE HAND CRIMPER	Nov-8-19	Flan Tommy	Tommy

QUANTITY	PART NUMBER	DESCRIPTION	ITEM

(A2)

**UNLESS OTHERWISE SPECIFIED**

1) All dimensions are in millimeters.  
 2) Tolerances are as follows:  
 1 Pk DEC 2010  
 1 Pk DEC 2010  
 3 Pk DEC 2010  
 3) Note reference = **△**

**MATERIAL SPECIFICATIONS**

**PROCESS SPECIFICATIONS**

**SIGNATURES**

DRAWN	DATE
Rui	Nov-8-19
Mah	Nov-8-19

**ENGINEER:** Tommy  
**APPROVE:** Tommy  
**CUSTOMER:** Nov-8-19

**ECO-MATE PIN CONTACT.**  
 STAMPED: 20-22AWG, SIZE 20

**Amphenol**  
 Sine Systems - www.amphenol-sine.com  
 44724 Montey Drive  
 Clinton Township, MI 48038

**SIZE** B **TYPE** C- **DWG NO** SP20W2XX **REVISION** A3

**SCALE** NONE **SHEET** 1 **OF** 1

TITLE: ECO-MATE PIN CONTACT, STAMPED, 22-20AWG, SIZE 20

DWG NO: SP20W2XX

REV: A3

SH: 1

OF 1