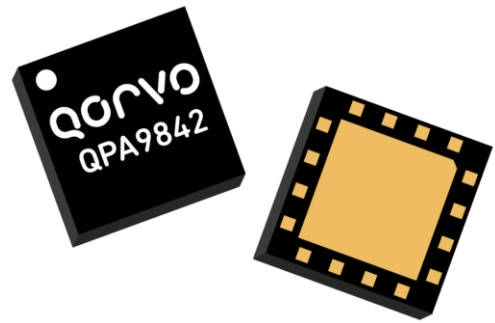


General Description

The QPA9842 is a balanced amplifier module with embedded hybrid couplers to convert to single ended input and output ports. The module has an enable pin to allow for shutting down of the amplifier. The module requires minimal external components which are VCC choke inductors, decoupling caps and resistors for bias control.

The QPA9842 provides 25 dBm P1dB with 18.7 dB gain and +38.2 dBm OIP3 across a wide frequency range of 2700-3800 MHz to cover the 3GPP Bands 42 and 43. The linear driver amplifier is targeted for use in wireless infrastructure where high linearity, medium power and high integration is required. The balanced amplifier configuration provides very good input and output VSWR and is especially ideal as the output stage in a macrocell transceiver board that connects to the high power amplifier (HPA) board through a long cable or microstrip trace. The QPA9842 is packaged in a small 5 x 5 mm leadless package that is internally matched to 50 Ω on all RF ports.

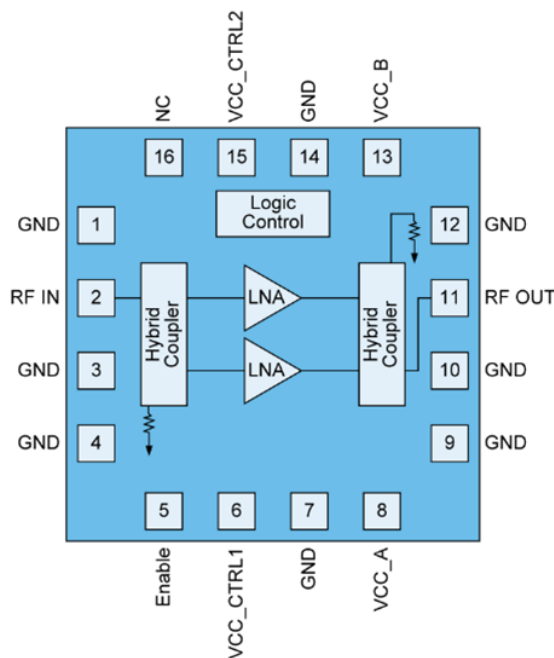


16 Pad 5 x 5 mm leadless SMT Package

Product Features

- 2700 – 3800 MHz
- Balanced Amplifier with integrated 3 dB hybrids
- Internally Matched 50 Ω Input / Output
- Shutdown Mode with 1.8V logic control
- 18.7 dB Gain
- +38.2 dBm OIP3
- +25.0 dBm P1dB
- Good gain flatness across Bands 42, 43

Functional Block Diagram



Top View

Applications

- Wireless Infrastructure
- Macro BTS Transceivers
- Booster Amps, Repeaters

Ordering Information

Part No.	Description
QPA9842TR13	2,500 pieces on a 13" reel (standard)
QPA9842SR	100 pieces on a 7" reel
QPA9842EVB-01	2700 – 3800 MHz Evaluation Board

Absolute Maximum Ratings

Parameter	Rating
Storage Temperature	-40 to +150 °C
RF Input Power, CW, 50 Ω, T=25 °C	+22 dBm
Supply Voltage (V _{CC})	+6 V
Enable Voltage (Enable)	+5.5 V

Exceeding any one or a combination of the Absolute Maximum Rating conditions may cause permanent damage to the device. Extended application of Absolute Maximum Rating conditions to the device may reduce device reliability.

Recommended Operating Conditions

Parameter	Min	Typ	Max	Units
Device Voltage (V _{CC})	+3.30	+5	+5.25	V
Enable (High)	+1.17	+1.8	+3.6	V
Enable (Low)	0		+0.63	V
T _{CASE}	-40		+105	°C
T _j for >10 ⁶ hours MTTF			+190	°C

Electrical specifications are measured at specified test conditions. Specifications are not guaranteed over all recommended operating conditions.

Electrical Specifications

Parameter	Conditions ⁽¹⁾	Min	Typ	Max	Units
Operational Frequency Range		2700		3800	MHz
Test Frequency			3600		MHz
Gain		17.5	18.7	20.5	dB
Gain Slope (peak to peak)	F _c ± 100 MHz		0.1		dB
	F _c ± 250 MHz		0.3		dB
	F _c ± 350 MHz		0.6		dB
	F _c ± 500 MHz		1.1		dB
Output IP3	P _{out} = +10 dBm/tone, Δf = 1 MHz	+35.5	+38.2		dBm
Output P1dB		+24.0	+25.0		dBm
Noise Figure			2.3		dB
Input Return Loss			36		dB
Output Return Loss			27		dB
Control Current	V _{CC_CTRL1} (Pin 6)		3		mA
Total Current			284	350	mA
Shutdown Current	Enable Low		7		mA
Rise time	From Enable to 90% RF		150		nS
Fall time	From Disable to 10% RF		60		nS
Thermal Resistance, θ _{jc}	Module (channel to case)			34.4	°C/W

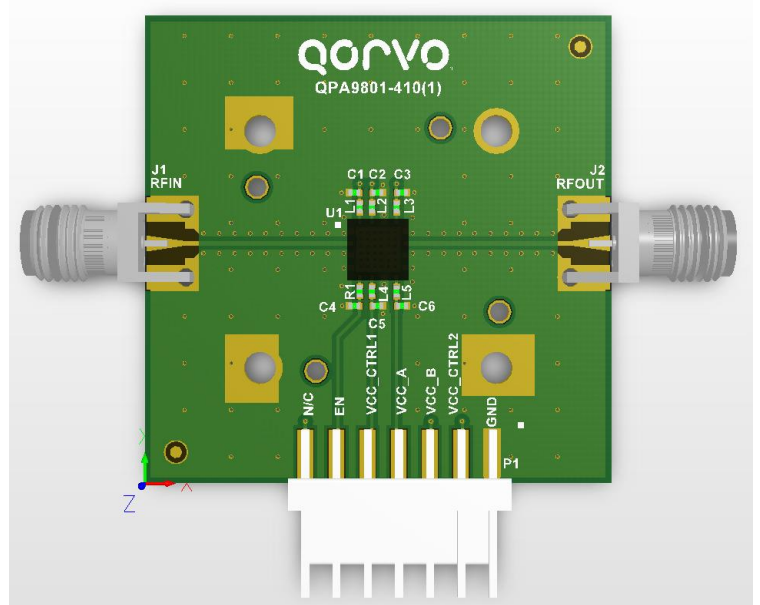
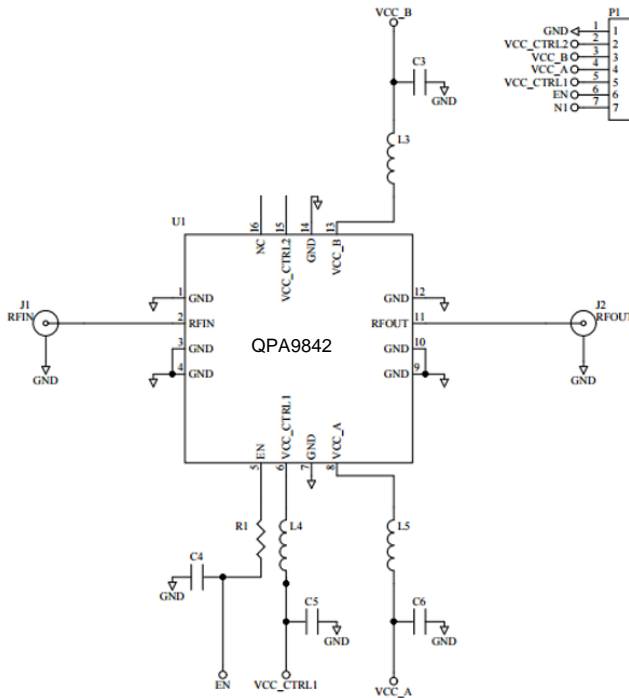
Notes:

1. Test conditions unless otherwise noted: V_{CC} = V_{CC_CTRL1} = +5.0 V, Enable = +1.8 V, Temp = +25 °C, 50 Ω system.

Logic Table

Parameter	High	Low
Enable	Active	Shutdown

Application Circuit Schematic and Layout



Bill of Material – QPA9842EVB-01

Reference Des.	Value	Description	Manuf.	Part Number
n/a	n/a	Printed Circuit Board		
U1	n/a	¼ Watt Balanced Amplifier	Qorvo	QPA9842
L3, L5	18 nH	Inductor, wire wound	Coilcraft	0402CS-18NXGRW
R1, L4	0 Ω	Resistor, Chip, Jumper	Various	
C3, C6	1 uF	Capacitor, Chip, 10%, 10V, X5R	Various	
C5	100 pF	Capacitor, Chip, NPO, 5%, 50V, NPO/COG	Various	
C4		DNI		

Typical Performance

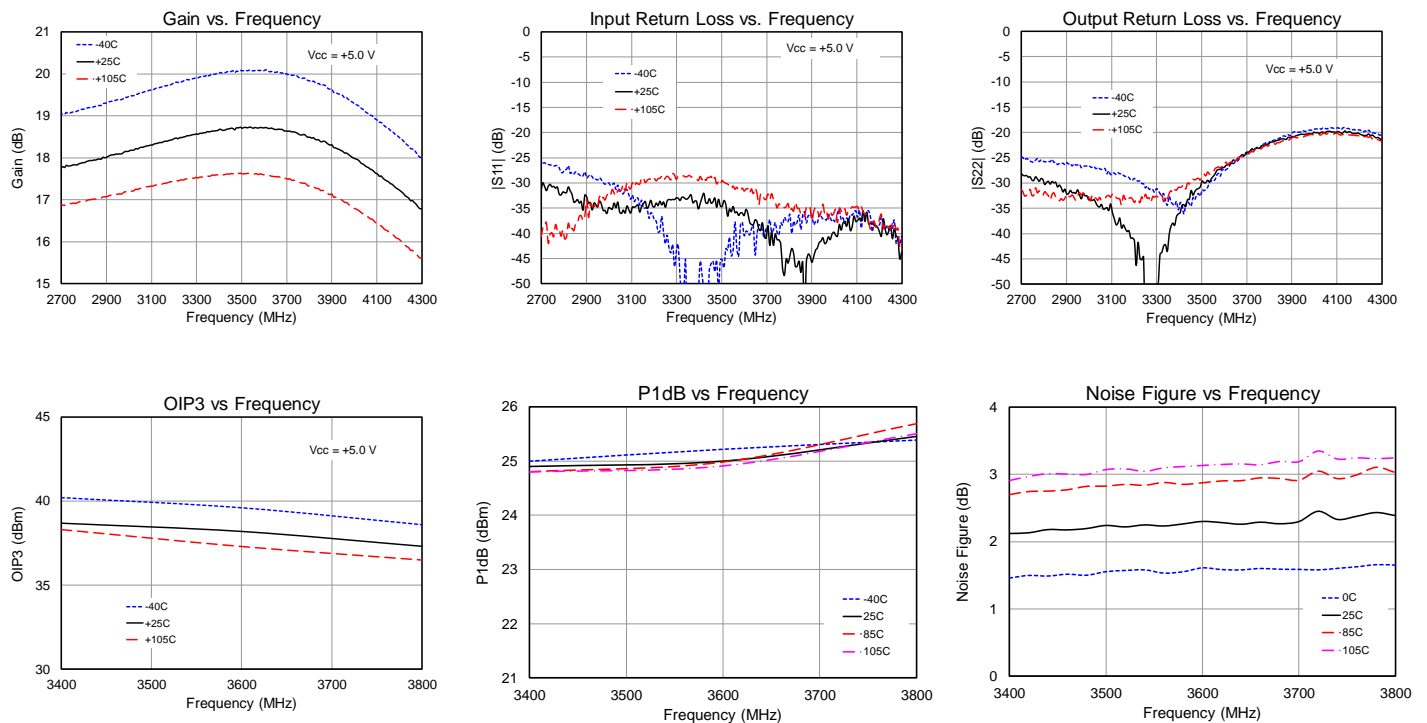
Parameter	Conditions ⁽¹⁾	Typical Value					Units
Frequency		2700	3100	3400	3600	3800	MHz
Gain		17.8	18.3	18.7	18.7	18.5	dB
Gain Slope (peak to peak)	$F_c \pm 100$ MHz	0.2	0.3	0.2	0.1	0.3	dB
	$F_c \pm 250$ MHz	0.5	0.7	0.3	0.3	0.9	dB
	$F_c \pm 350$ MHz	0.7	0.9	0.5	0.6	1.3	dB
	$F_c \pm 500$ MHz	0.9	1.0	0.7	1.1	1.9	dB
Input Return Loss		30	35	33	36	45	dB
Output Return Loss		29	35	36	27	22	dB
Output IP3	$P_{out} = +10$ dBm/tone, $\Delta f = 1$ MHz	+38.3	+38.6	+38.7	+38.2	+37.3	dBm
Output P1dB		+25.2	+25.2	+24.9	+25.0	+25.5	dBm
Noise Figure		1.7	1.9	2.1	2.3	2.4	dB
Total Quiescent Current		284					mA

Notes:

1. Test conditions unless otherwise noted: $V_{CC} = V_{CC_CTRL1} = +5.0$ V, Enable = +1.8V, Temp.=+25 °C

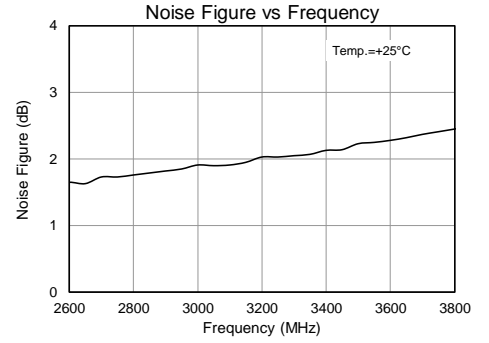
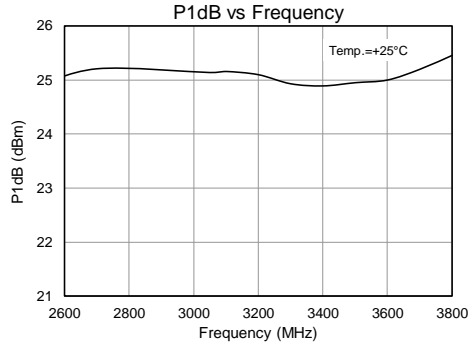
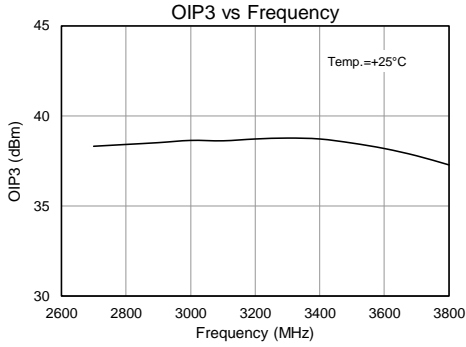
Performance Plots

Test conditions unless otherwise noted: $V_{CC} = V_{CC_CTRL1} = +5$ V, Enable = +1.8 V, Temp.=+25 °C



Performance Plots – continued

Test conditions unless otherwise noted: $V_{CC} = V_{CC_CTRL1} = +5V$, Enable = +1.8 V, Temp. = +25 °C



Typical Performance – $V_{CC} = +3.6\text{ V}$

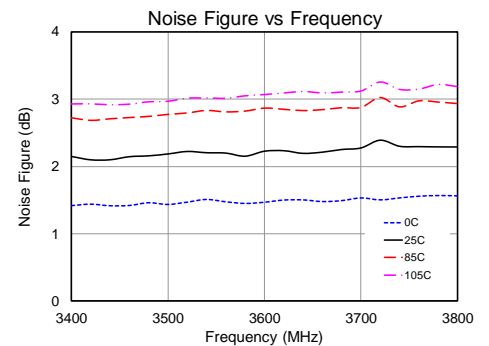
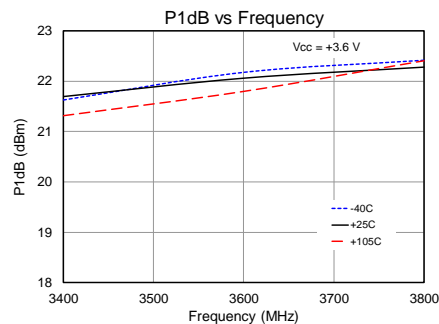
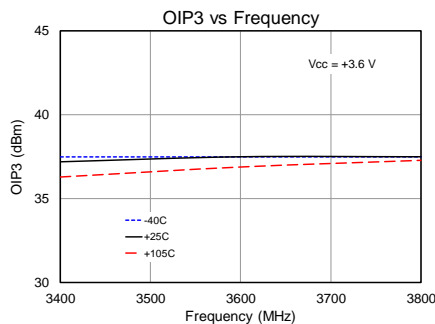
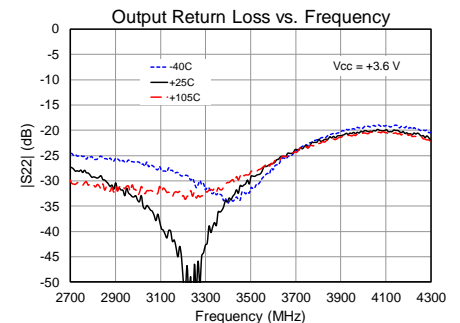
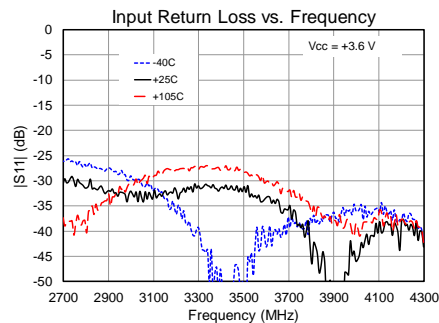
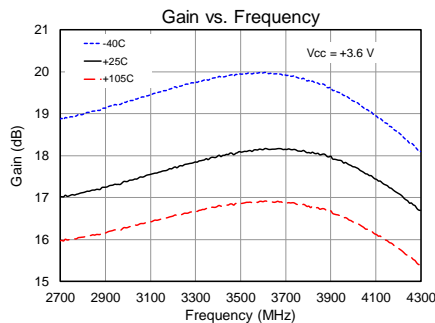
Parameter	Conditions ⁽¹⁾	Typical Value			Units
Frequency		3400	3600	3800	MHz
Gain		18.0	18.1	18.1	dB
Gain Slope (peak to peak)	$F_c \pm 100\text{ MHz}$	0.2	0.1	0.2	dB
	$F_c \pm 250\text{ MHz}$	0.5	0.2	0.6	dB
	$F_c \pm 350\text{ MHz}$	0.7	0.4	0.9	dB
	$F_c \pm 500\text{ MHz}$	0.9	0.7	1.5	dB
Input Return Loss		32	34	43	dB
Output Return Loss		34	27	22	dB
Output IP3	$P_{out} = +10\text{ dBm/tone}, \Delta f = 1\text{ MHz}$	+37.2	+37.5	+37.5	dBm
Output P1dB		+21.7	+22.1	+22.3	dBm
Noise Figure		2.1	2.2	2.3	dB
Total Quiescent Current		210			mA

Notes:

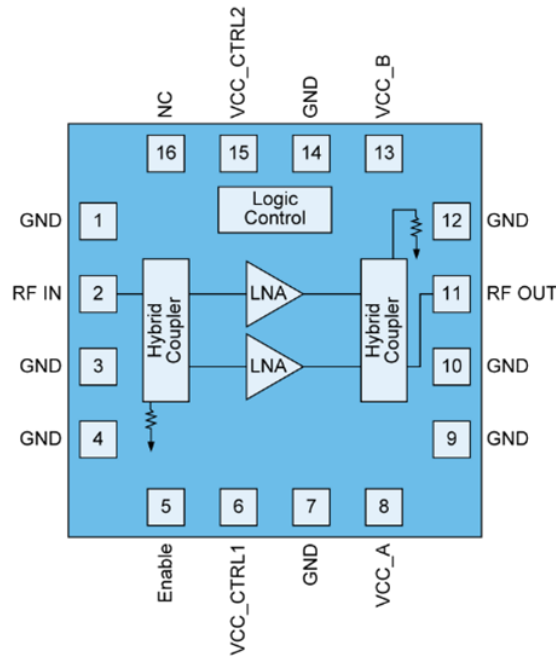
2. Test conditions unless otherwise noted: $V_{CC} = V_{CC_CTRL1} = +3.6\text{ V}$, Enable = +1.8V, Temp.=+25 °C

Performance Plots – $V_{CC} = +3.6\text{ V}$

Test conditions unless otherwise noted: $V_{CC} = V_{CC_CTRL1} = +3.6\text{ V}$, Enable = +1.8 V, Temp.=+25 °C



Pin Configuration and Description



Top View

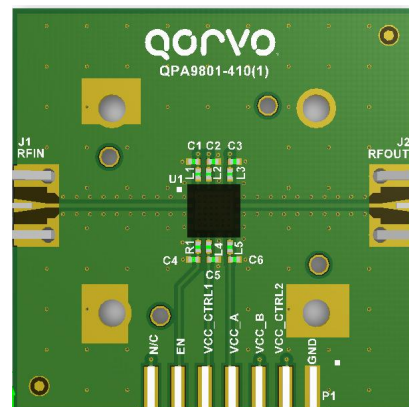
Pad No.	Label	Description
1, 3, 4, 7, 9, 10, 12, 14	GND	RF and DC Ground
2	RFin	RF Input; Internally 50 Ω matched and DC blocked
5	Enable	Enable pin to turn off amplifiers, High - ON, Low – OFF
6	VCC_CTRL1	Supply Voltage for control circuitry
8	VCC_A	Supply Voltage to Amplifier A
11	RFout	RF Output; Internally 50 Ω matched and DC blocked
13	VCC_B	Supply Voltage to Amplifier B
15	VCC_CTRL2	Supply Voltage for control circuitry, not used in QPA9842
16	NC	Not connected
Backside Paddle		RF/DC ground. See PCB Mounting Pattern for suggested footprint.

Evaluation Board PCB Information

PC Board Layout

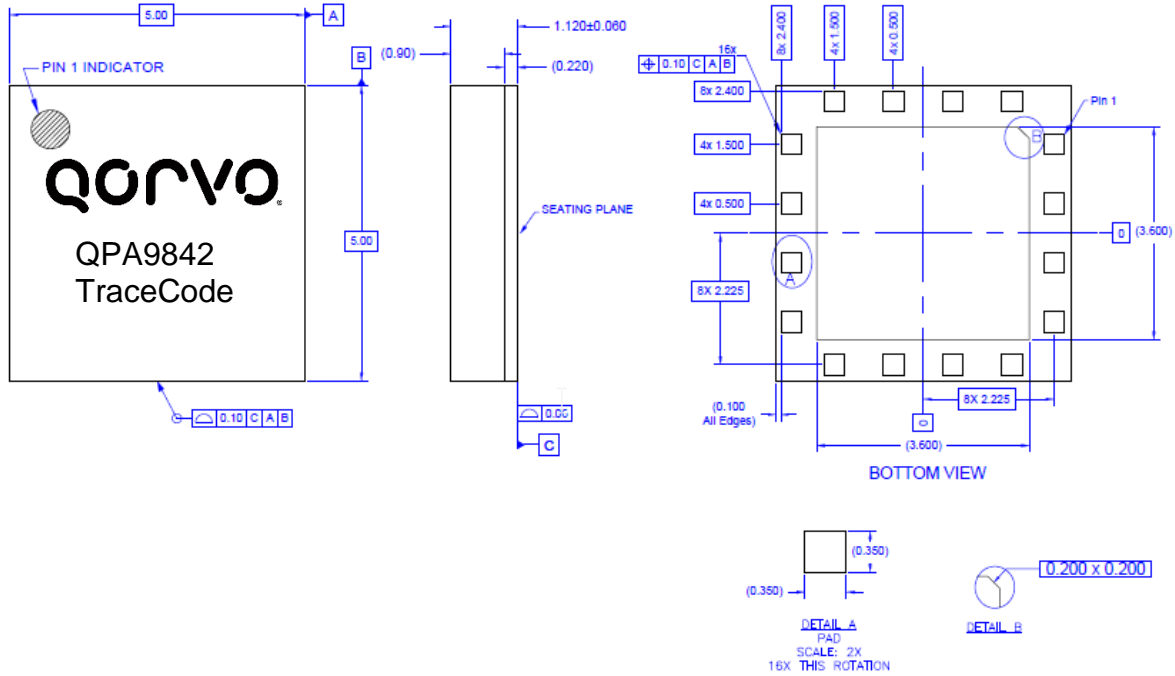
PCB Material (stackup):

- 1/2 oz. Cu top layer
 - 0.008 inch FR-4
 - 1 oz. Cu middle layer 1
 - .012 inch FR-4
 - 1 oz. Cu middle layer 2
 - 0.008 inch FR-4
 - 1/2 oz. Cu bottom layer
- Finished board thickness is 0.034±.003



Package Marking and Dimensions

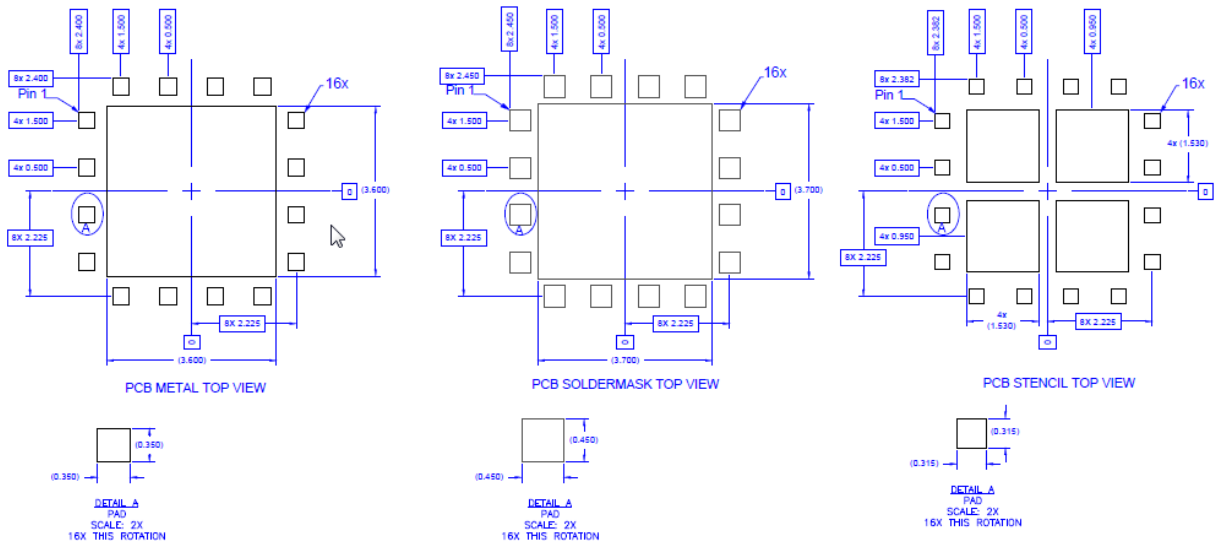
Marking: Part Number – QPA9842



Notes:

1. All dimensions are in millimeters. Angles are in degrees.
2. The terminal #1 identifier and terminal numbering conform to JESD 95-1 SPP-012.
3. Contact plating: Au over Ni

PCB Mounting Pattern



Notes:

1. All dimensions are in millimeters. Angles are in degrees.
2. Use 1 oz. copper minimum for top and bottom layer metal.
3. Vias are required under the backside paddle of this device for proper RF/DC grounding and thermal dissipation. We recommend a 0.35mm (#80/.0135") diameter bit for drilling via holes and a final plated thru diameter of 0.25 mm (0.10").
4. Ensure good package backside paddle solder attach for reliable operation and best electrical performance.

Handling Precautions

Parameter	Rating	Standard
ESD – Human Body Model (HBM)	Class 1B	ESDA / JEDEC JS-001-2012
ESD – Charged Device Model (CDM)	Class C3	JEDEC JESD22-C101F
MSL – Moisture Sensitivity Level	Level 3	IPC/JEDEC J-STD-020



Caution!
ESD-Sensitive Device

Solderability

Compatible with both lead-free (260°C max. reflow temp.) and tin/lead (245°C max. reflow temp.) soldering processes.

Solder profiles available upon request.

Contact plating: Electrolytic plated Au over Ni

RoHS Compliance

This part is compliant with EU 2002/95/EC RoHS directive (Restrictions on the Use of Certain Hazardous Substances in Electrical and Electronic Equipment). This product also has the following attributes:

- Product uses RoHS Exemption 7c-I to meet RoHS Compliance requirements
- Halogen Free (Chlorine, Bromine)
- Antimony Free
- TBBP-A (C₁₅H₁₂Br₄O₂) Free
- PFOS Free
- SVHC Free
- Qorvo Green



Contact Information

For the latest specifications, additional product information, worldwide sales and distribution locations:

Tel: 1-844-890-8163

Web: www.qorvo.com

Email: customer.support@qorvo.com

For technical questions and application information: Email: appsupport@qorvo.com

Important Notice

The information contained herein is believed to be reliable; however, Qorvo makes no warranties regarding the information contained herein and assumes no responsibility or liability whatsoever for the use of the information contained herein. All information contained herein is subject to change without notice. Customers should obtain and verify the latest relevant information before placing orders for Qorvo products. The information contained herein or any use of such information does not grant, explicitly or implicitly, to any party any patent rights, licenses, or any other intellectual property rights, whether with regard to such information itself or anything described by such information. **THIS INFORMATION DOES NOT CONSTITUTE A WARRANTY WITH RESPECT TO THE PRODUCTS DESCRIBED HEREIN, AND QORVO HEREBY DISCLAIMS ANY AND ALL WARRANTIES WITH RESPECT TO SUCH PRODUCTS WHETHER EXPRESS OR IMPLIED BY LAW, COURSE OF DEALING, COURSE OF PERFORMANCE, USAGE OF TRADE OR OTHERWISE, INCLUDING THE IMPLIED WARRANTIES OF MERCHANTABILITY AND FITNESS FOR A PARTICULAR PURPOSE.**

Without limiting the generality of the foregoing, Qorvo products are not warranted or authorized for use as critical components in medical, life-saving, or life-sustaining applications, or other applications where a failure would reasonably be expected to cause severe personal injury or death.

Copyright 2017 © Qorvo, Inc. | Qorvo is a registered trademark of Qorvo, Inc.