

PART NAME: WING KNOB    SCALE: 1:1    DATE:12/15/86    DR. BY HD

THIS DRAWING IS THE PROPERTY OF DAVIES MOLDING COMPANY, IS SUBMITTED SOLELY AS A DESIGN OR ENGINEERING PROJECT. WE ACCEPT NO RESPONSIBILITY WHATSOEVER FOR THE PRACTICAL APPLICATION OF THE PIECES MADE TO THIS DESIGN.

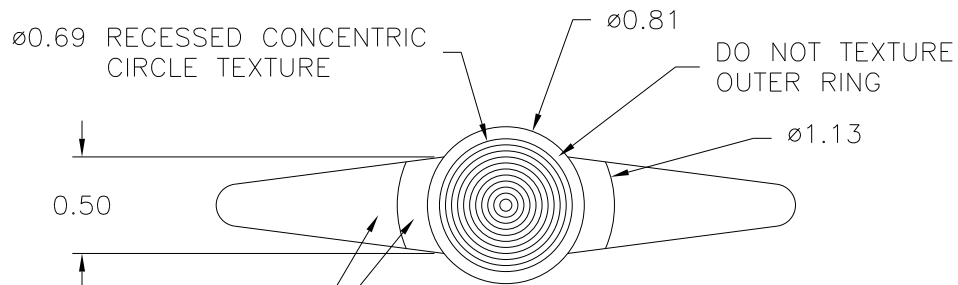


DESIGNERS & MANUFACTURERS OF KNOBS, HANDLES, CASES & CUSTOM PLASTIC COMPONENTS

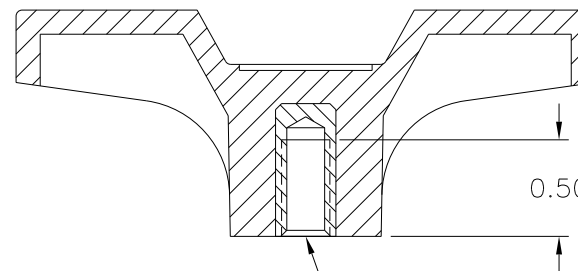
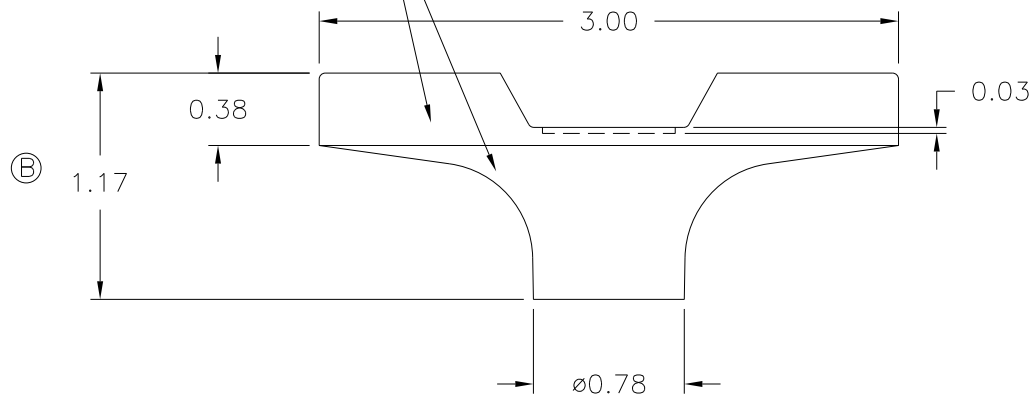
P/N 3093

M<sup>NO.</sup> 70

CAVITY	3093
CORE	3093
CORE PLUG	3093
SLEEVE	3093
PIN	3093
INSERT	I1427



TEXTURED AREAS AS SHOWN (RE-6220)



1/4-20 UNC-2B THREADED I1427, H.H. BRASS

NOTE : KNOB HGT. REVISED PER Q.C. REPORT AND REQUEST.

MATERIAL: POLYPROPYLENE (CLD)  
 COLOR: BLACK

TOLERANCES: UNLESS OTHERWISE SPECIFIED	DO NOT SCALE DRAWING	-	RE-DID REDRAW	TL	11/11/99
		B	1.17 WAS 1.06	HD	8/30/96
DECIMALS: X.XXX ± .005 X.XX ± .015	MM: X.XX ± 0.15MM X.X ± 0.4MM	A	WAS NYLON 6/6	HD	8/30/96
		-	CAD REDRAW	HD	7/9/92
FRACTIONS ± 1/64	ANG. ± 1°	CHANGES			