

Part number description :

10134333-XXXLF

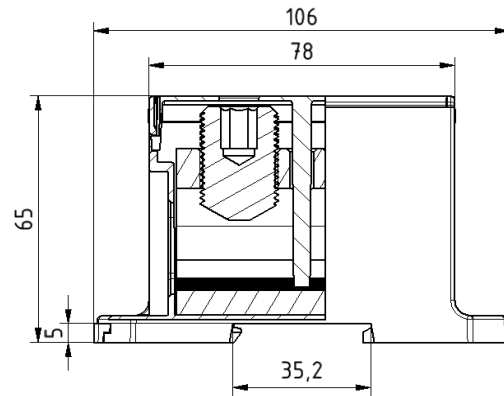
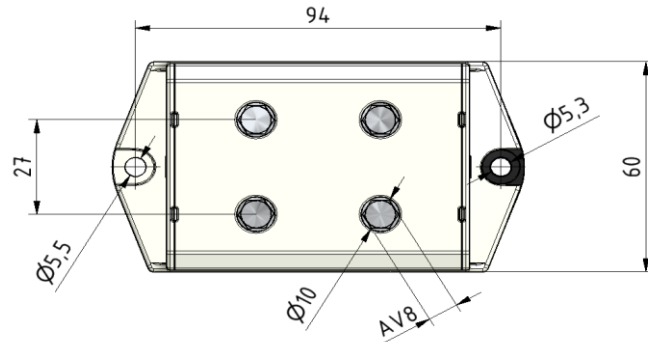
LF: Lead Free, RoHs compliant, see note

XXX : Color ref or/and version

PN	Colour	Version
10134333-001LF	grey	(A) multiple
10134333-002LF	blue	(A) multiple
10134333-003LF	yellow-green	(A) multiple

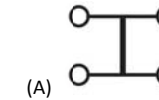
TECHNICAL DATA / DIMENSIONS

Dimensions	
Width mm	60.0
Length mm	106.0
Height mm	60.0
Mounting type (EN 60715)	Omega TH35
Panel mounting	M5 screw
Technical data	
Maximum load current	Cu 850A Al 760A
Insulating material	PA
Self-extinguishing degree acc. to UL94	V2
Nominal Voltage	690V
Nominal Current	850A
Connection data	
Conductor cross-section solid min/max	35 / 240 mm <sup>2</sup>
Stripping length	max 30 mm
Screw – recessed Allen screw	M20 – SW8
Tightening torque: 35-120 mm <sup>2</sup>	26 Nm
Tightening torque: 150-240 mm <sup>2</sup>	40 Nm



APPROVALS

UL1059 EN60947-7-1  
600V – Cu760A / Al 620A 690V – Cu 850A / Al 760A



Note : THIS PRODUCT MEETS EUROPEAN UNION DIRECTIVES AND OTHER COUNTRY REGULATIONS AS PER GS-47-0004

ACCESSORIES

Item	Description
<b>DIN RAIL system - Mounting and Installation material</b>	
10134392-001LF	Steel Omega Rail TH35x7,5mm -2mt length
10134393-001LF	Slotted Steel Omega Rail TH35x7,5mm -2mt length
10134394-001LF	Steel Omega Rail TH35x15mm -2mt length
10134395-001LF	Slotted Steel Omega Rail TH35x15mm -2mt length
10134387-001LF	Angled support bracket
10134389-001LF	End Bracket for TH35 Omega rail -Width 9mm
10134390-001LF	End Bracket for TH35 Omega rail -Width 6mm

spec ref	dr Aymeric Soudy 29-06-2015	projection	size A3	scale size out of scale
tolerance std ISO 406 ISO 1101	eng Aymeric Soudy 29-06-2015			ecn no
TOLERANCES UNLESS OTHERWISE SPECIFIED				
surface ISO 1302	linear 0.X ± 0.3 0.XX ± 0.1 0.XXX ± 0.05	appr Aymeric Soudy 29-06-2015		
angular 0° ± 2°		title SCREW Terminal block Higt current 240 - Multiple		cat. no. 10134333 rev A
www.fcicon			Product customer drawing	



Copyright FCI