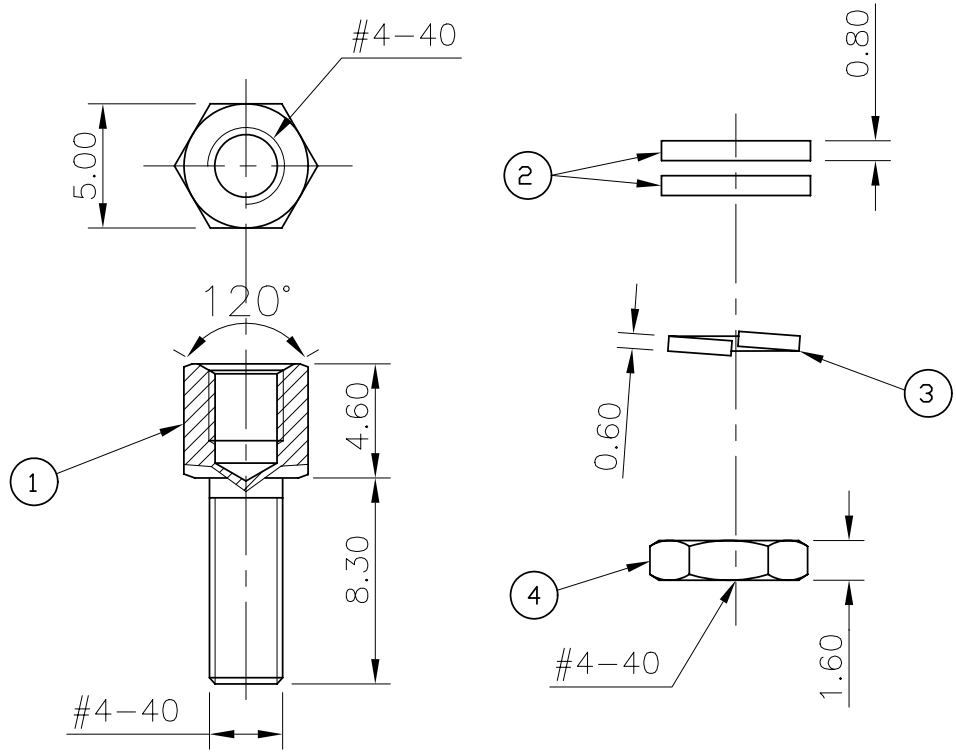


This document is the property of Amphenol Corporation and is delivered on the express condition that it is not to be disclosed, reproduced or used, in whole or in part, for manufacture or sale by anyone other than Amphenol Corporation without its prior consent, & that no right is granted to disclose or to use any information in this document.



- ① SCREW
- ② WASHERS
- ③ LOCK WASHER
- ④ NUT



Customer drawing

| REVISIONS | | | | |
|-----------|-----|-------------|----------|----------|
| SYM | ECN | DESCRIPTION | DATE | APPROVED |
| 1 | | | 04/25/08 | |

D-SUB TECHNICAL DATA

MATERIAL:

Screwlock: Steel,100u" min tin over 50u" min nickel.
 Washer: Steel,100u" min tin over 50u" min nickel.
 Lock washer: XC 35
 Nut: Brass,100u" min tin over 50u" min nickel.

PACKAGE:

Delivered separately
 1 P/N = 10 sets

MARKING:

Amphenol...(Series No.) Commercial reference
 Manufacturing date

| | | | | | |
|--------------------------------------|--------|---------------------|---------------|----------|---|
| UNLESS OTHERWISE SPECIFIED | | APPROVAL | | DATE | Amphenol® |
| TOLERANCES | | DRAWN | Christina.cui | 04/25/08 | |
| | U.S. | METRIC | CHECKED | Hk.wang | 04/25/08 |
| .X | +/- | 0.50 | CHECKED | | |
| .XX | +/- | 0.30 | | | |
| .XXX | +/- | 0.20 | | | |
| FRACTIONS | +/- | | | | |
| ANGLES | +/- | 2' | | | |
| FOR MATERIALS AND FINISHES SEE NOTES | | DRAWING FILE : | | | TITLE |
| REMOVE SHARP EDGES | | ANGLE OF PROJECTION | | | Accessory, screwlock with nut and washers |
| DIMENSIONS | | | | | SIZE |
| U.S. | INCHES | | | | DRAWING NO. |
| METRIC | MM | | | | C L17D2041B2TX |
| | | | | | REV. |
| | | | | | 1 |
| | | | | | SCALE |
| | | | | | NONE |
| | | | | | SHEET 1 OF 1 |