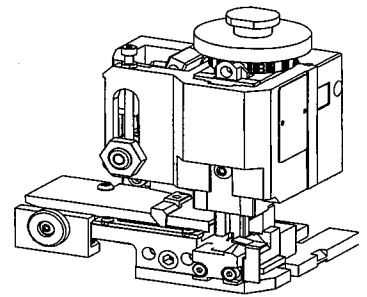




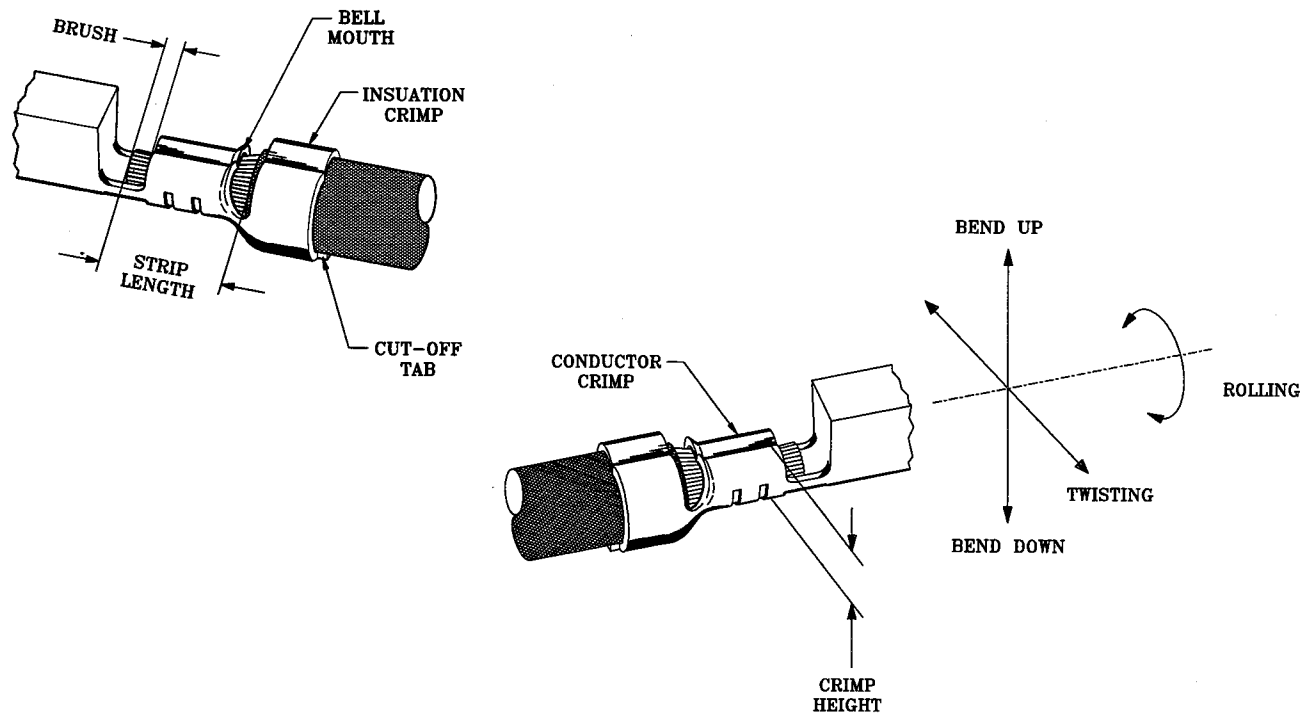
SPECIFICATION SHEET
FineAdjust Applicator
63860-3100
REVISION A



SCOPE

Terminal Series No	Wire Size		Insulation Diameter		Strip Length	
	Awg	(mm ²)	mm	(in)	mm	(in)
50217-****	18-24	(0.80-0.20)	1.40-2.15	(.055-.085)	3.00-3.50	(.118-.138)
50539-****	18-24	(0.80-0.20)	1.40-2.15	(.055-.085)	3.00-3.50	(.118-.138)

DEFINITION OF TERMS



The above terminal drawing is a generic terminal representation. It is not an image of a terminal listed in the scope

SPECIFICATIONS

Terminal Series No.	Bellmouth		Cut-Off Tab Max.		Conductor Brush	
	mm	(in)	mm	(in)	mm	(in)
50217-****	0.20-0.70	(.008-.028)	0.30	(.012)	0.00-1.00	(.000-.039)
50539-****	0.20-0.70	(.008-.028)	0.30	(.012)	0.00-1.00	(.000-.039)

Terminal Series No.	Bend Up / Bend Down		Twist	Roll	Punch Width mm	
	Degree				Conductor / Insulation	
50217-****	4	2	3	8	1.90	2.30
50539-****	4	2	3	8	1.90	2.30

The above specifications are guidelines to an optimum crimp.

CONDITIONS

After crimping, the conductor profile should measure the following.

Terminal Series	Wire Size		Crimp Height		Pull Force Min	
	Awg	(mm ²)	mm	(in)	N	(lbs)
50217-****	18	(0.80)	1.08-1.18	(.043-.047)	88.2	(19.8)
50217-****	20	(0.50)	0.96-1.06	(.038-.042)	58.8	(13.2)
50217-****	22	(0.35)	0.91-0.96	(.036-.038)	39.2	(8.8)
50217-****	24	(0.20)	0.87-0.92	(.034-.036)	29.4	(6.6)
50539-****	18	(0.80)	1.08-1.18	(.043-.047)	88.2	(19.8)
50539-****	20	(0.50)	0.96-1.06	(.038-.042)	58.8	(13.2)
50539-****	22	(0.35)	0.91-0.96	(.036-.038)	39.2	(8.8)
50539-****	24	(0.20)	0.87-0.92	(.034-.036)	29.4	(6.6)

Pull Force measured with no influence from the insulation crimp

PARTS LIST

Item Number	Order Number	Eng Number	Description	Qty	Kit Part
1	634441905	634441905	Conductor Punch	1	Y
2	634451943	634451943	Conductor Anvil	1	Y
3	634462326	634462326	Insulation Punch	1	Y
4	634452353	634452353	Insulation Anvil	1	Y
5	634430002	634430002	Cut-Off Plunger	1	Y
6	634430012	634430012	Front Plunger Retainer	1	Y
7	11-24-1067	4996-4	Cut-Off Plunger Spring	1	
8	634433160	634433160	Front Plunger Striker	1	
9	634430021	634430021	Lower Tooling Key	1	
10	634436003	634436003	Rear Cover	1	
11	11-18-4083	60707-8	Front Cover	1	
12	634432409	634432409	Anvil Mount	1	
13	634434005	634434005	Wire Stop	1	
14	634430009	634430009	Scrap Chute	1	
15	638004900	638004900	FineAdjust Applicator	1	
70	638603170	638603170	Tool Kit (All "Y" Items)	0	

NOTES

1. We recommend an extra perishable tooling kit be maintained at your facility.
2. Verify tooling alignment by manually cycling the press and Applicator before crimping under power.
3. Slugs , Terminals, Dirt and Oil should be kept clear of work area.
4. This Applicator should only be used in a press with a shut height of 135.8 mm (5.346"). Tooling damage could result at a lower setting.
5. **** CAUTION**** To prevent injury never operate this Applicator without the guarding supplied with the press or wire processing machine in place. Reference the press or wire processing manufacturer's instruction manual.
6. Wear safety glasses at all times.

ASSEMBLY DRAWING

The drawing below is a generic drawing representation. Some detail may not be shown. The FineAdjust applicator assembly and parts list can be found in the FineAdjust manual.

