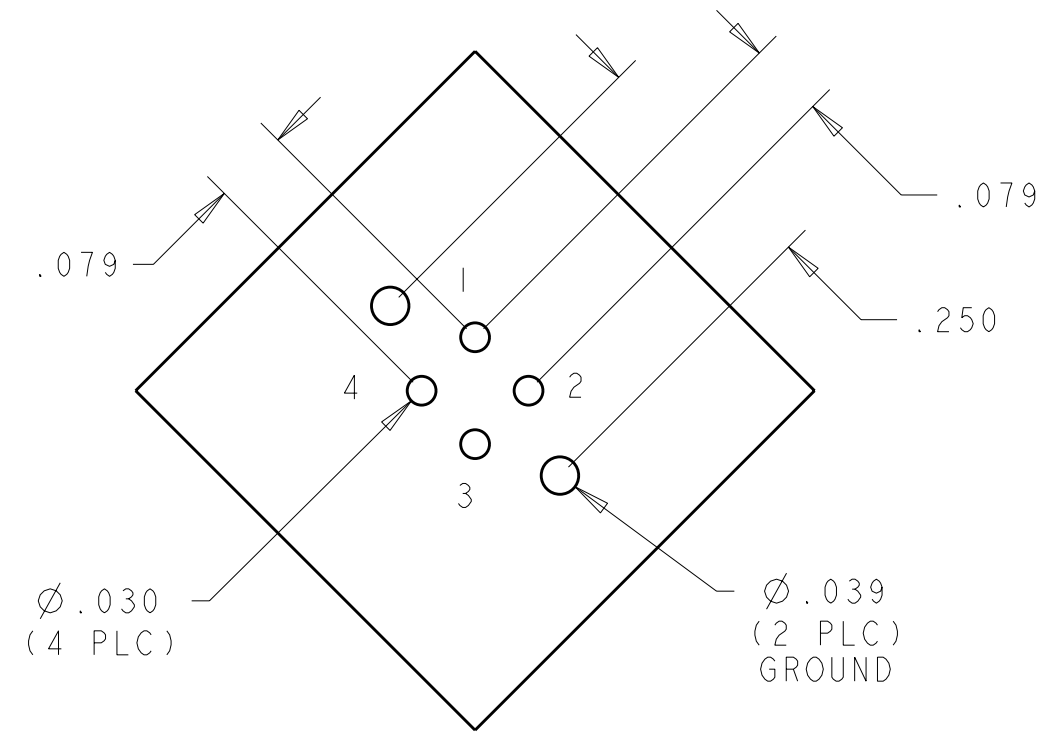
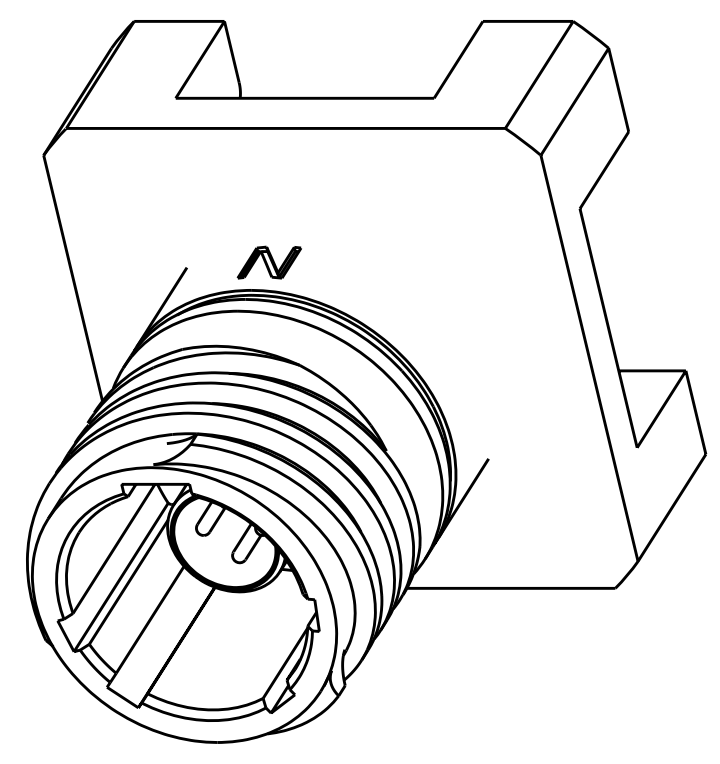


THIS DRAWING IS UNPUBLISHED. RELEASED FOR PUBLICATION 20
 © COPYRIGHT 20 BY TYCO ELECTRONICS CORPORATION. ALL RIGHTS RESERVED.

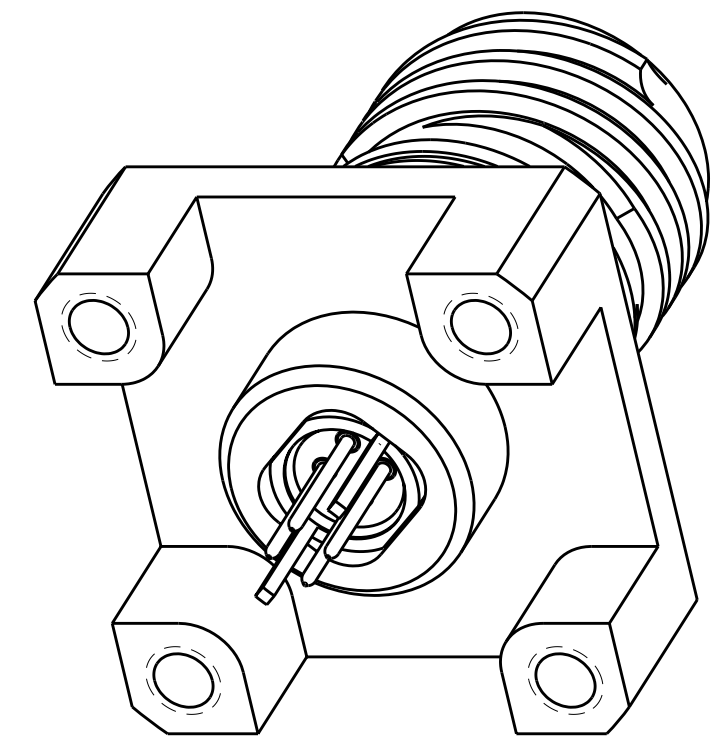
LOC	DIST	REVISIONS					
DF	A5	P	LTR	DESCRIPTION	DATE	DWN	APVD
		E		REV PER ECO 09-025507	12-11-09	CT	DM



PCB LAYOUT

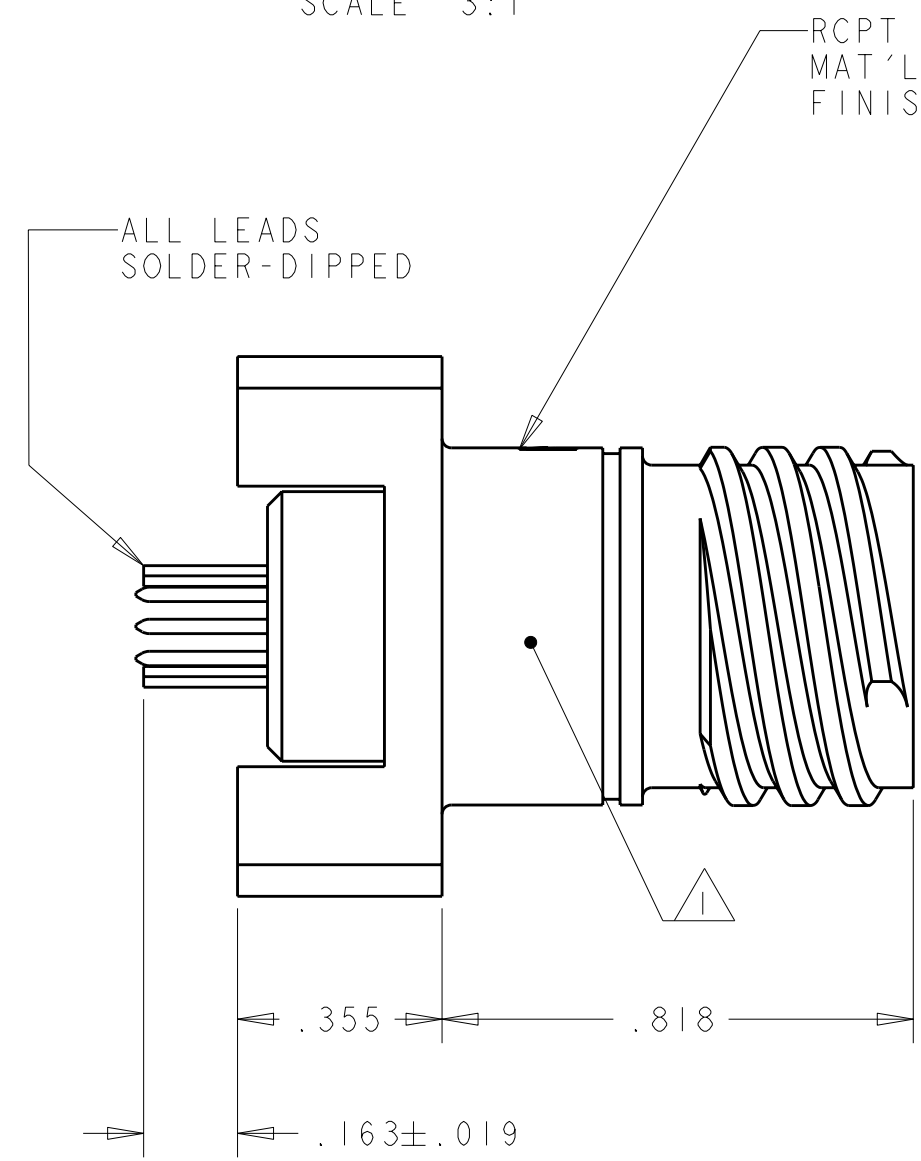
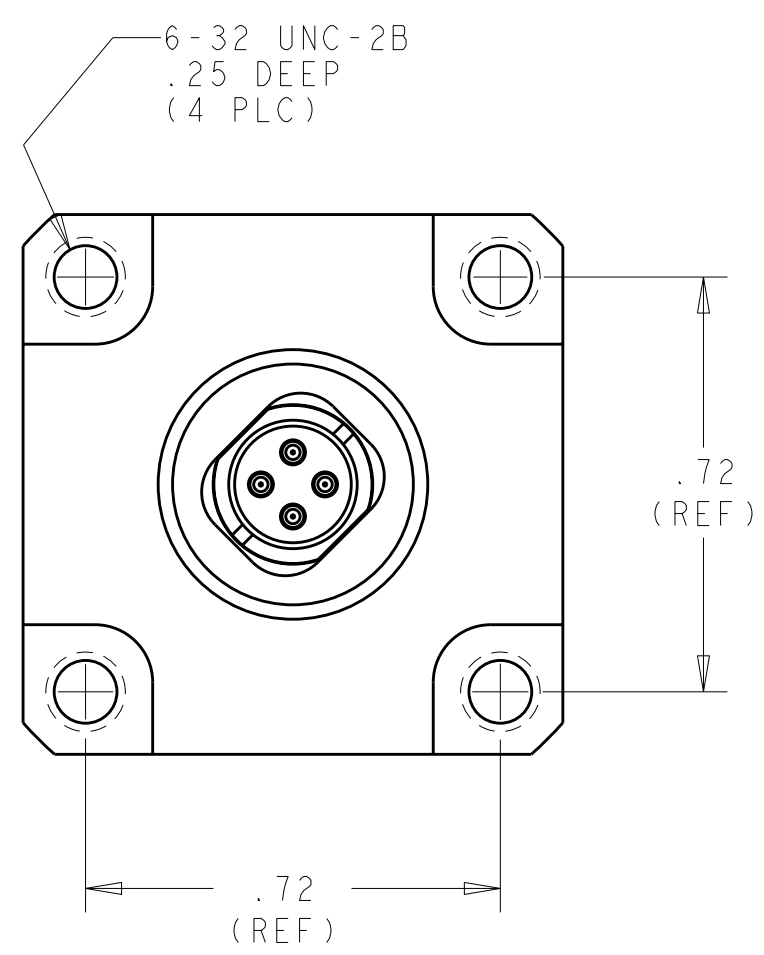


SCALE 3:1



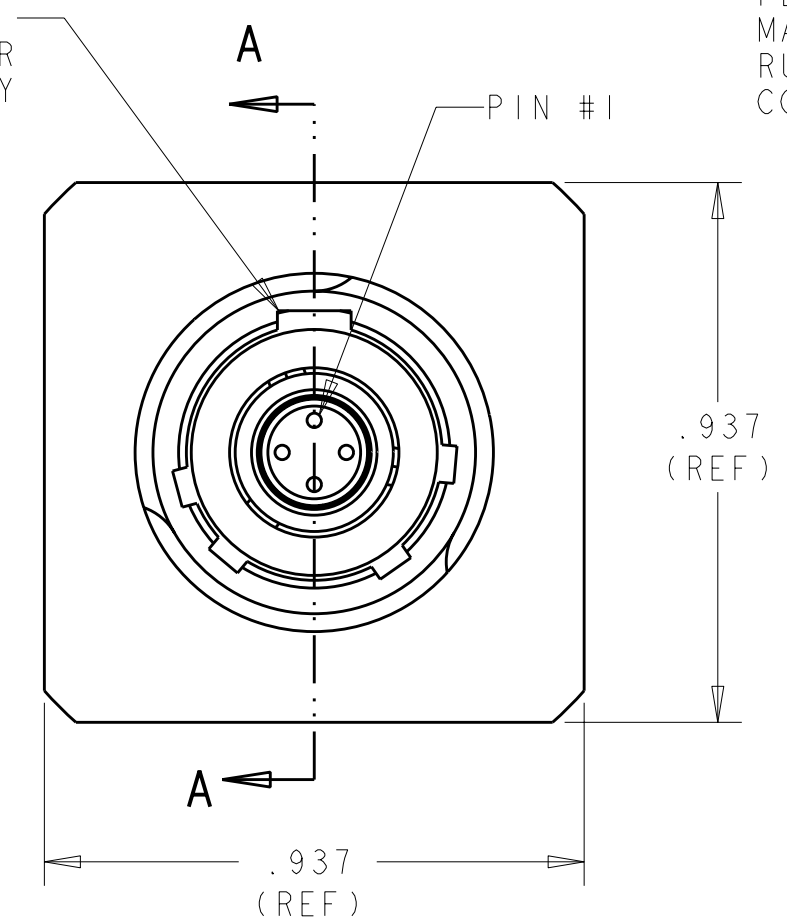
SCALE 3:1

RETENTION CLIP
 MAT'L: STAINLESS STEEL
 FINISH: PLATED SILVER
 OVER NICKEL UNDERPLATE



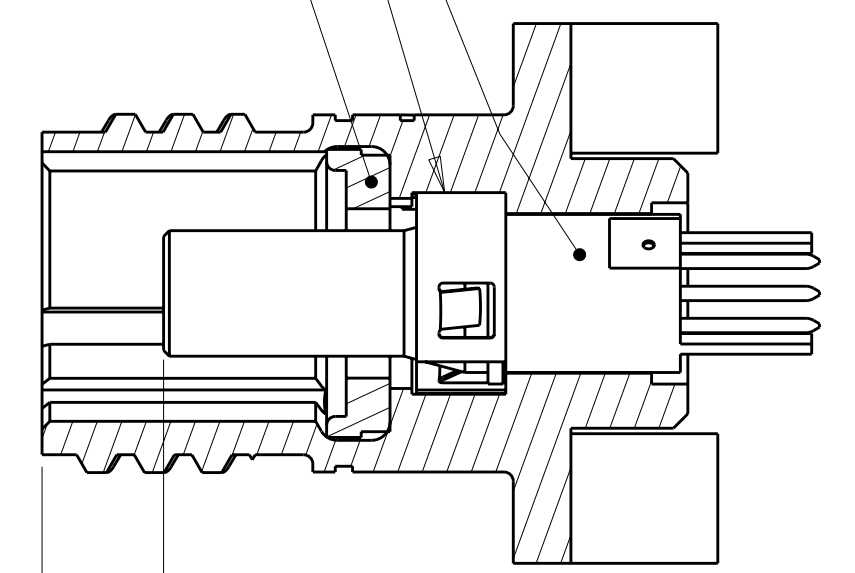
RCPT SHELL
 MAT'L: ALUMINUM ALLOY
 FINISH: SEE TABLE

38999
 MASTER
 KEYWAY



PERIPHERAL SEAL
 MAT'L: SILICONE
 RUBBER
 COLOR: RED

SIZE 8 100 OHM
 QUADRAX CONTACT
 P/N 1445626-6
 1811184-1 THRU -3 ONLY



SECTION A-A

.211 WHEN FULLY
 REARWARD AGAINST
 CAVITY WALL

1. PART IS MARKED WITH TE PART NO. (SEE TABLE), (00779) TE LOGO OR TE AND DATE CODE.

2. OPERATING TEMPERATURE RANGE: -65°C TO +125°C (-85°F TO +257°F).

3. THE CONNECTOR QUALIFICATION WAS COMPLETED PER TE SPEC. 108-2199. THE QUADRAX CONTACTS ARE QUALIFIED PER TE SPEC. 108-2131. THE REFERENCE TEST REPORTS ARE TYCO ELECTRONICS 501-660 FOR THE CONNECTOR AND 501-574 FOR THE CONTACTS WHICH ARE SAME AS ARINC 600-13, DRAFT 2 OF SUPPLIMENT 14 (AIR TRANSPORT AVIONICS EQUIPMENT INTERFACES).

NO CONTACT	NICKEL	"B" KEY	1811184-9
NO CONTACT	NICKEL	"A" KEY	1811184-8
NO CONTACT	NICKEL	"N" KEY	1811184-7
W/CONTACT	NICKEL	"B" KEY	1811184-3
W/CONTACT	NICKEL	"A" KEY	1811184-2
W/CONTACT	NICKEL	"N" KEY	1811184-1
REMARKS	SHELL FINISH	38999 POLARIZATION	PART NUMBER

DIMENSIONS:		TOLERANCES UNLESS OTHERWISE SPECIFIED:		DWN	JMS	04AUG04	Tyco Electronics		
INCHES		0 PLC	±	CHK	WHB	04AUG04	Harrisburg, PA 17105-3608		
		1 PLC	±0.1	APVD	WHB	04AUG04	NAME		
		2 PLC	±0.01	PRODUCT SPEC		RECEPTACLE, 38999 SERIES III, SIZE 9 PCB MOUNT WITH STAND-OFFS, SINGLE QUADRAX			
		3 PLC	±0.001	APPLICATION SPEC		SIZE CAGE CODE DRAWING NO RESTRICTED TO			
		4 PLC	±0.0001	WEIGHT		A200779C-1811184			
MATERIAL		ANGLES	±	CUSTOMER DRAWING		SCALE 3:1		SHEET 1 OF 1 REV E	
		FINISH	±						