

4

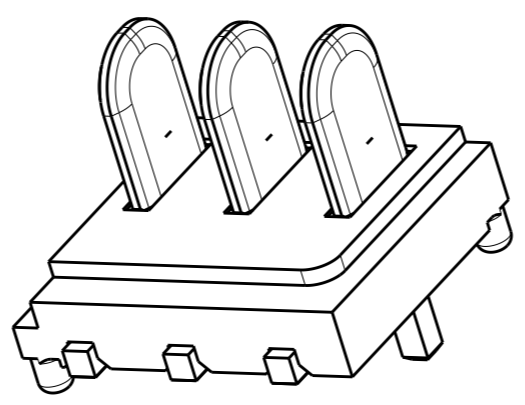
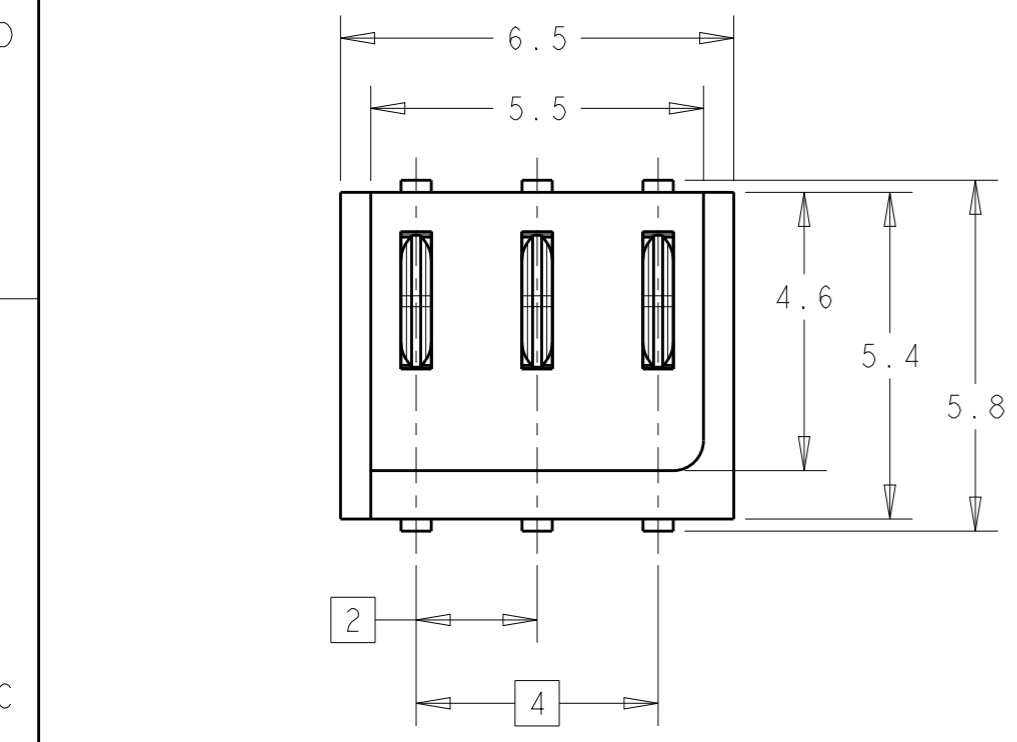
3

2

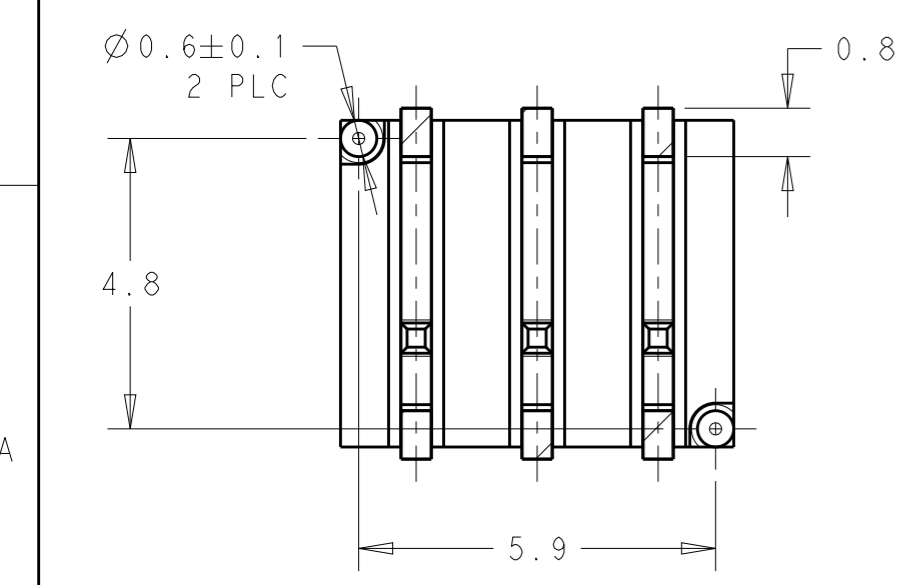
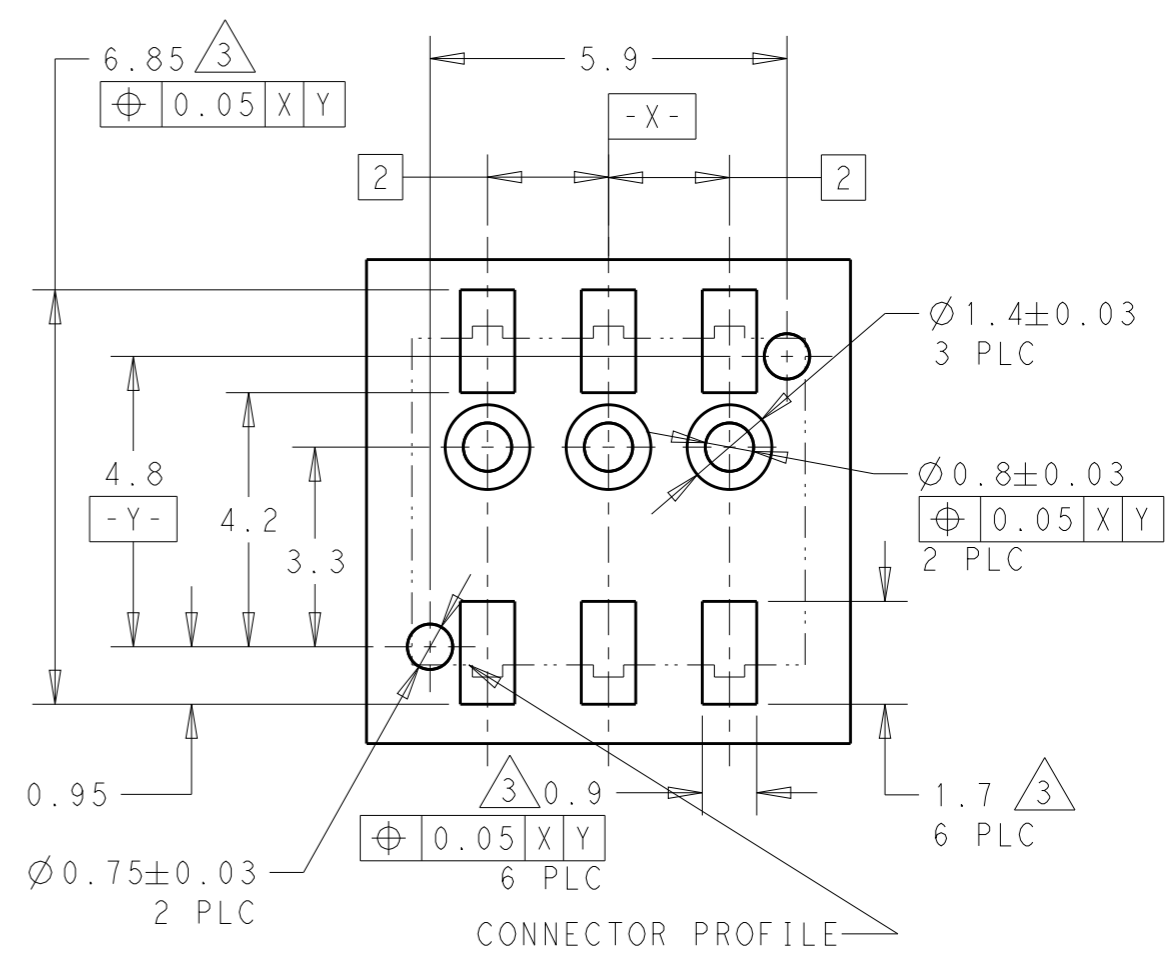
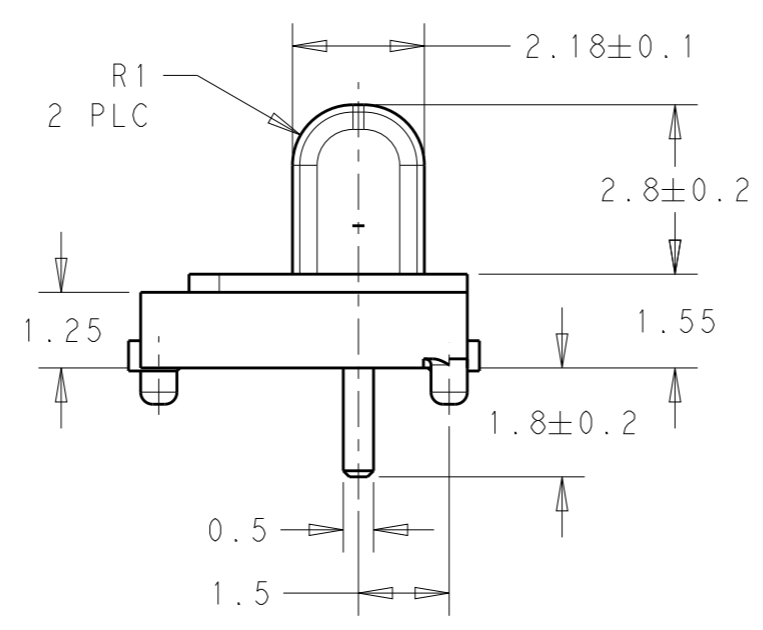
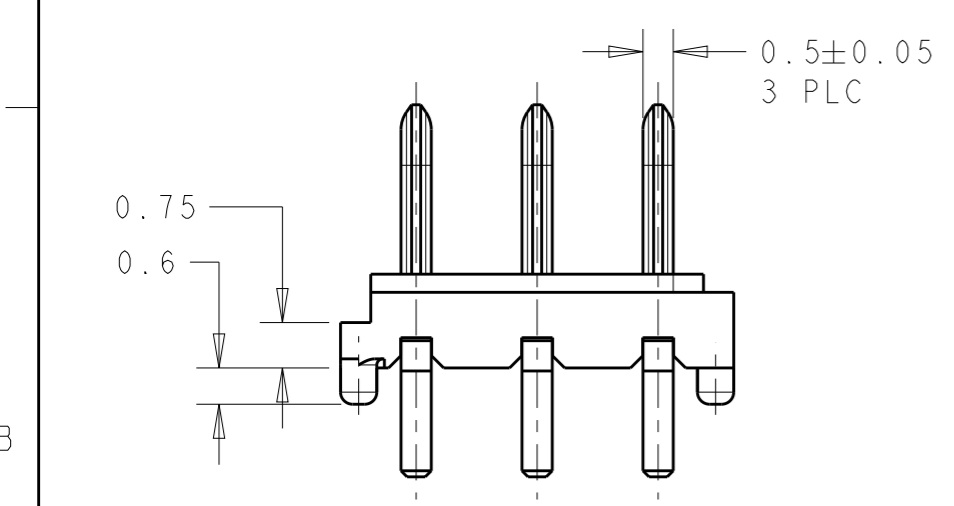
1

THIS DRAWING IS UNPUBLISHED. RELEASED FOR PUBLICATION 20  
 © COPYRIGHT 20 BY - ALL RIGHTS RESERVED.

LOC		DIST		REVISIONS			
P	LTR	DESCRIPTION	DATE	DWN	APVD		
-	-						



NOTES:  
 1 MATERIAL:  
 HOUSING; THERMOPLASTIC RESIN , UL94V-0, BLACK  
 CONTACT; COPPER ALLOY  
 2 FINISH: ALL OVER Ni UNDER PLATING.  
 CONTACT AREA: GOLD PLATING  
 SODERING AREA: GOLD FLASH  
 3 NECESSARY SURFACEMOUNTING BY REFLOW



RECOMMENDEN PCB LAYOUT  
 GENTAL TOLERANCE ±0.05

2199011-1 AS SHOWN

THIS DRAWING IS A CONTROLLED DOCUMENT.		DWN	E.L	11 JAN 2012	 TE Connectivity
DIMENSIONS: mm		CHK	X.X	11 JAN 2012	
TOLERANCES UNLESS OTHERWISE SPECIFIED:		APVD	X.X	11 JAN 2012	
0 PLC ±- 1 PLC ±0.3 2 PLC ±0.25 3 PLC ±0.2 4 PLC ±0.2 ANGLES ±-		PRODUCT SPEC	108-5846		
MATERIAL		FINISH		APPLICATION SPEC	NAME
1		2		-	BATTERY BLOCK PLUG ASSEMBLY 3 POS 2.0MM PITCH
		WEIGHT		0.21 G	SIZE
		Customer Drawing		A3	CAGE CODE
		SCALE		8:1	DRAWING NO
		SHEET		1	RESTRICTED TO
		OF		1	REV
		REV		A	