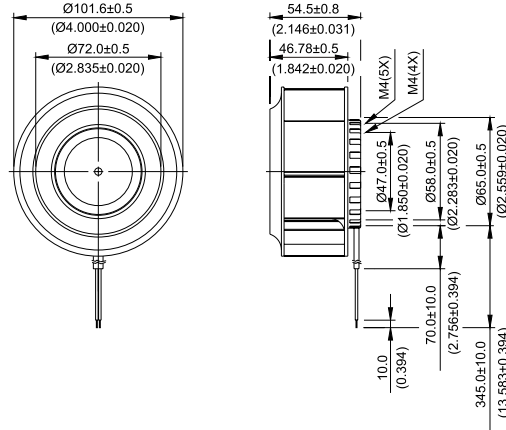
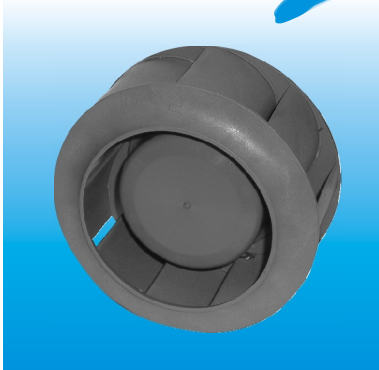


New

KHB Ø 100 x 55 MM SERIES

DIMENSIONS DRAWING

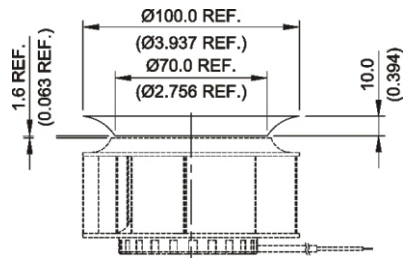
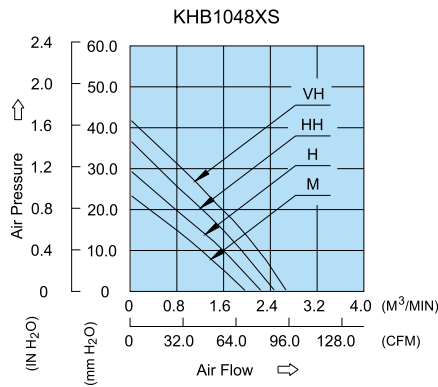


UNIT: $\frac{\text{mm}}{\text{(INCH)}}$

- * Bearing Type: Ball Bearings
- * Material: Impeller : Plastic (UL 94V-0), Pillow : Aluminum
- * Lead Wires : UL 1007 AWG#24 OR Equivalent, Red Wire Positive (+), Black Wire Negative (-)
- * Weight : 360g (12.70 oz)

P & Q CURVE (AT RATED VOLTAGE)

MOUNTING PANEL CUTOUT



UNIT: $\frac{\text{mm}}{\text{(INCH)}}$

MODEL		Rated Voltage	Operating Voltage Range	Rated Current	Rated Input Power	Speed	Maximum Air Flow		Maximum Air Pressure		Noise
PART NO.	FUNCTION	VDC	VDC	Amp	Watt	R.P.M.	m ³ /min	CFM	mmH ₂ O	IN H ₂ O	dB-A
KHB1048MS	-R00 / -F00	48	32.0 to 80.0	0.23	11.04	4500	1.977	69.81	23.13	0.911	57.0
KHB1048HS	-R00 / -F00	48	32.0 to 80.0	0.29	13.92	5100	2.230	78.75	29.99	1.181	60.5
KHB1048HHS	-R00 / -F00	48	32.0 to 80.0	0.36	17.28	5700	2.488	87.86	37.35	1.470	63.5
KHB1048VHS	-R00 / -F00	48	32.0 to 80.0	0.44	21.22	6200	2.689	94.96	41.41	1.630	66.0

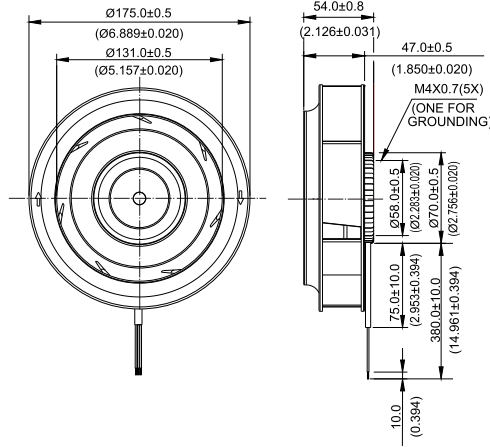
* Function type is optional.
 * The max. air flow and the speed are measured in free air ; max. air pressure is measured at zero air flow.
 * Noise is measured in anechoic chamber in free air, one meter from intake side.
 * All readings are typical values at rated voltage.
 * Specifications are subject to change without notice.

New



KHB Ø 175 x 54 MM SERIES

DIMENSIONS DRAWING

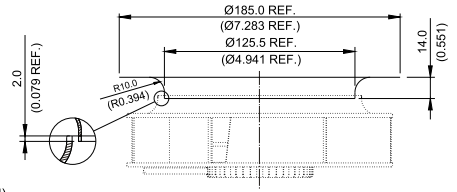
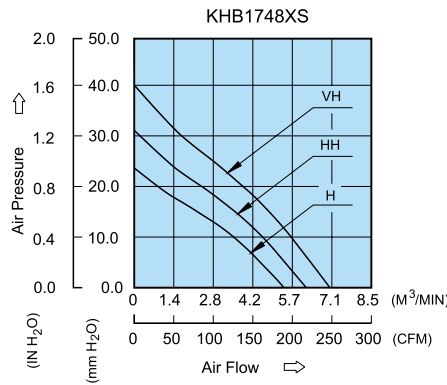


UNIT: $\frac{\text{mm}}{\text{(INCH)}}$

- * Bearing Type: Ball Bearings
- * Material: Pillow : Die-Cast Aluminum
- * Impeller : Plastic (UL 94V-0)
- * Lead Wires : UL 1430 AWG #22 OR Equivalent
- * Weight : 620g (21.87 oz)

P & Q CURVE (AT RATED VOLTAGE)

MOUNTING PANEL CUTOUT



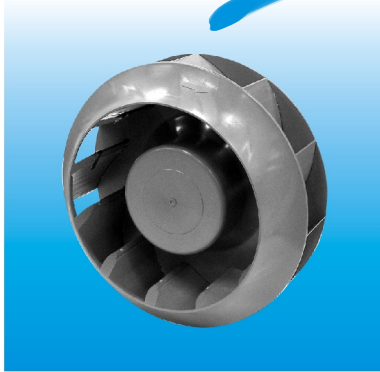
UNIT: $\frac{\text{mm}}{\text{(INCH)}}$

MODEL		Rated Voltage	Operating Voltage Range	Rated Current	Rated Input Power	Speed	Maximum Air Flow		Maximum Air Pressure		Noise
PART NO.	FUNCTION	VDC	VDC	Amp	Watt	R.P.M.	m ³ /min	CFM	mmH ₂ O	IN H ₂ O	dB-A
KHB1748HS	- R00 / -F00	48	32.0 to 80.0	0.44	21.12	2700	5.360	189.28	24.03	0.946	62.5
KHB1748HHS	- R00 / -F00	48	32.0 to 80.0	0.54	25.92	3100	6.161	217.59	31.58	1.243	66.0
KHB1748VHS	- R00 / -F00	48	32.0 to 80.0	0.65	31.20	3500	7.008	247.47	40.67	1.601	69.0

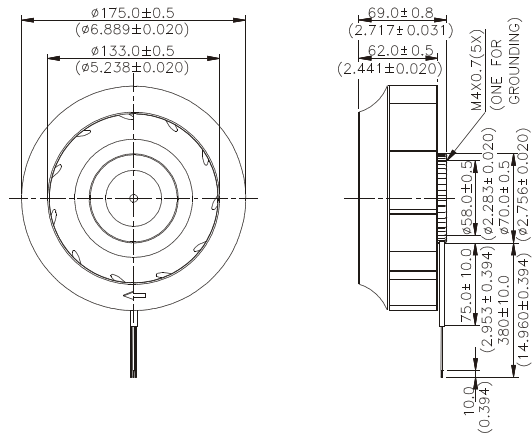
* Function type is optional.
 * The max. air flow and the speed are measured in free air ; max. air pressure is measured at zero air flow.
 * Noise is measured in anechoic chamber in free air, one meter from intake side.
 * All readings are typical values at rated voltage.
 * Specifications are subject to change without notice.

KHB Ø175 x 69 MM SERIES

New



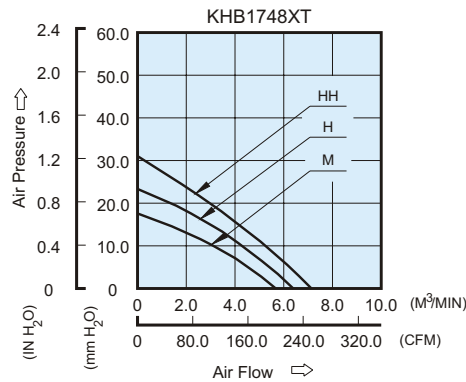
DIMENSIONS DRAWING



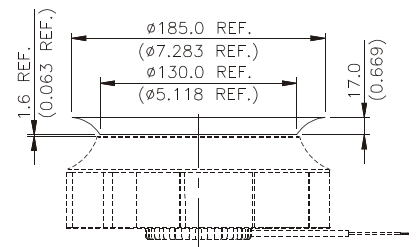
UNIT: $\frac{\text{mm}}{\text{INCH}}$

- * Bearing Type
Ball Bearings
- * Material
Impeller : Plastic (UL 94V-0)
Pillow : Die-Cast Aluminum
- * Lead Wires :
UL 1430 AWG #22 OR Equivalent
Red Wire Positive (+)
Black Wire Negative (-)
- * Weight : 670g (23.63 oz)

P & Q CURVE (AT RATED VOLTAGE)



MOUNTING PANEL CUTOUT



UNIT: $\frac{\text{mm}}{\text{INCH}}$

MODEL		Rated Voltage	Operating Voltage Range	Rated Current	Rated Input Power	Speed	Maximum Air Flow		Maximum Air Pressure		Noise
PART NO.	FUNCTION	VDC	VDC	Amp	Watt	R.P.M.	m ³ /min	CFM	mmH ₂ O	IN H ₂ O	dB-A
KHB1748MT	-R00/ -F00	48	32.0 to 80.0	0.36	17.28	2100	5.746	202.92	17.59	0.693	55.0
KHB1748HT	-R00/ -F00	48	32.0 to 80.0	0.57	27.36	2400	6.735	237.85	23.34	0.919	59.0
KHB1748HHT	-R00/ -F00	48	32.0 to 80.0	0.73	35.04	2700	7.132	251.87	30.70	1.209	62.5

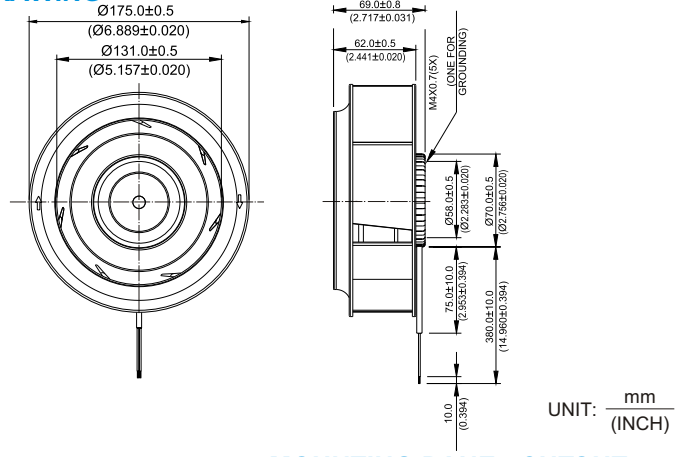
* Function type is optional.
 * The max. air flow and the speed are measured in free air ; max. air pressure is measured at zero air flow.
 * Noise is measured in anechoic chamber in free air, one meter from intake side.
 * All readings are typical values at rated voltage.
 * Specifications are subject to change without notice.

New



KHB Ø 175 x 69 MM SERIES

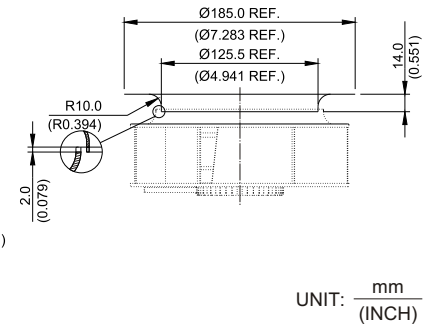
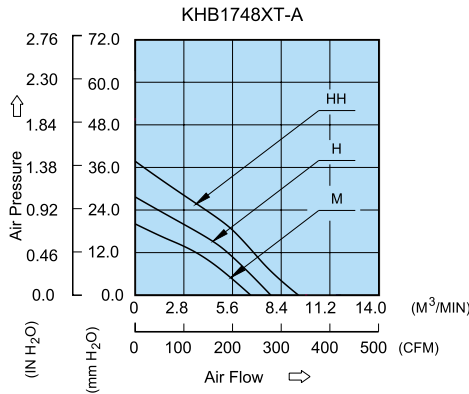
■ DIMENSIONS DRAWING



- * Bearing Type
Ball Bearings
- * Material
- * Impeller : Plastic (UL 94V-0)
- * Pillow : Die-Cast Aluminum
- * Lead Wires :
UL 1430 AWG #22 OR Equivalent
Red Wire Positive (+)
Black Wire Negative (-)
- * Weight : 670g (23.63 oz)

■ P & Q CURVE (AT RATED VOLTAGE)

■ MOUNTING PANEL CUTOUT



MODEL			Rated Voltage	Operating Voltage Range	Rated Current	Rated Input Power	Speed	Maximum Air Flow		Maximum Air Pressure		Noise
PART NO.	REV.	FUNCTION	VDC	VDC	Amp	Watt	R.P.M.	m ³ /min	CFM	mmH ₂ O	IN H ₂ O	dB-A
KHB1748MT	-A	-R00 / -F00	48	32.0 to 80.0	0.36	17.28	2300	6.642	234.55	21.26	0.837	59.0
KHB1748HT	-A	-R00 / -F00	48	32.0 to 80.0	0.57	27.36	2700	7.899	278.95	30.20	1.189	63.5
KHB1748HHT	-A	-R00 / -F00	48	32.0 to 80.0	0.73	35.04	3100	9.500	335.50	36.77	1.448	66.0

* Function type is optional.
 * The max. air flow and the speed are measured in free air ; max. air pressure is measured at zero air flow.
 * Noise is measured in anechoic chamber in free air, one meter from intake side.
 * All readings are typical values at rated voltage.
 * Specifications are subject to change without notice.