

## LOW VOLTAGE VIDEO AMPLIFIER WITH LPF

### ■GENERAL DESCRIPTION

The NJW1350 is a Low Voltage Video Amplifier with LPF circuit. By the internal charge pump circuit, output capacitor is unnecessary.

The NJW1350 features low power and small package, and is suitable for low power design on downsizing of portable video system and system with video output.

Moreover, the following voltage gain variations are arranged.

- NJW1351(Gain=6dB)
- NJW1352(Gain=9dB)
- NJW1353(Gain=16dB)

### ■PACKAGE OUTLINE



**NJW1350RB1  
MSOP8(TVSP8)**



**NJW1350KK1**

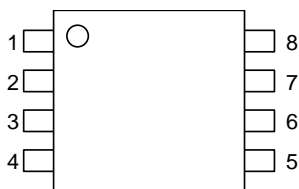
### ■FEATURES

- Operating Voltage 2.5 to 3.45V
- Output coupling capacitor-less
- 12dB amplifier
- Internal 75Ω Driver Circuit (2-system drive)
- 6<sup>th</sup> order LPF -38dB at 19MHz typ
- Power Save Circuit
- Bi-CMOS Technology
- Package Outline

MSOP8(TVSP8)\*, SON10

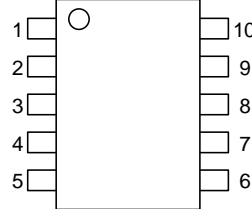
\*MEET JEDEC MO-187-DA / THIN TYPE

### ■PIN CONFIGURATION



NJW1350RB1(TVSP8)

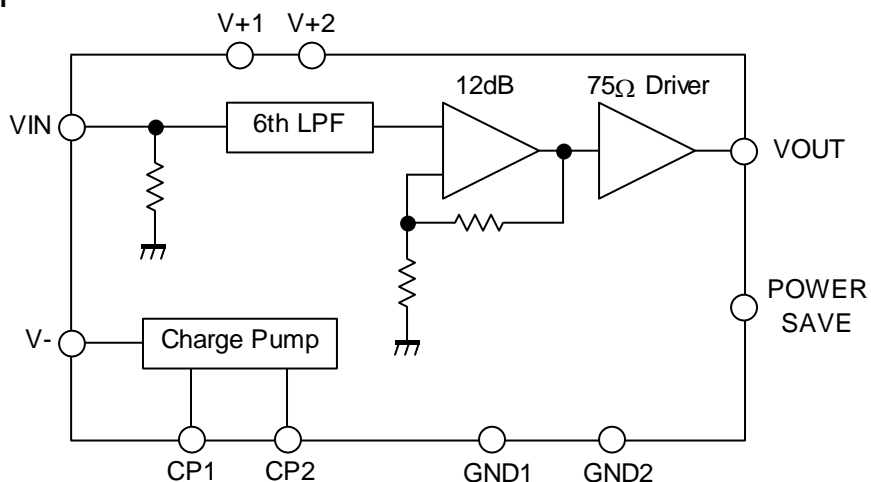
- 1: CP1
- 2: V+
- 3: VIN
- 4: Power Save
- 5: VOUT
- 6: GND
- 7: V-
- 8: CP2



NJW1350KK1(SON10)

- 1: CP1
- 2: V+2
- 3: V+1
- 4: VIN
- 5: Power Save
- 6: VOUT
- 7: GND1
- 8: GND2
- 9: V-
- 10: CP2

### ■BLOCK DIAGRAM



(NOTE)

TVSP8: V+1 and V+2 are the same pins, and GND1 and GND2 are the same pins.

# NJW1350

## ■ABSOLUTE MAXIMUM RATINGS (Ta=25°C)

PARAMETER	SYMBOL	RATINGS	UNIT
Supply Voltage	V <sup>+</sup>	3.55	V
Power Dissipation	P <sub>D</sub>	TVSP8:320 SON10:250	mW
Operating Temperature Range	Topr	-40 to +85	°C
Storage Temperature Range	Tstg	-55 to +125	°C

## ■RECOMMENDED OPERATING CONDITION(Ta=25°C)

PARAMETER	SYMBOL	TEST CONDITION	MIN.	TYP.	MAX.	UNIT
Operating Voltage	Vopr		2.5	-	3.45	V

## ■ELECTRICAL CHARACTERISTICS (V<sup>+</sup>=3.0V,R<sub>L</sub>=150Ω,Ta=25°C)

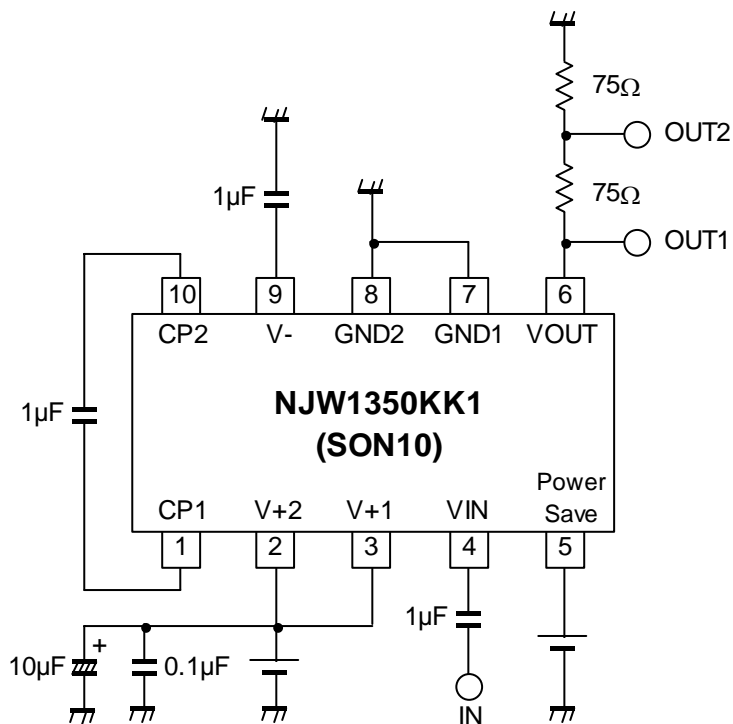
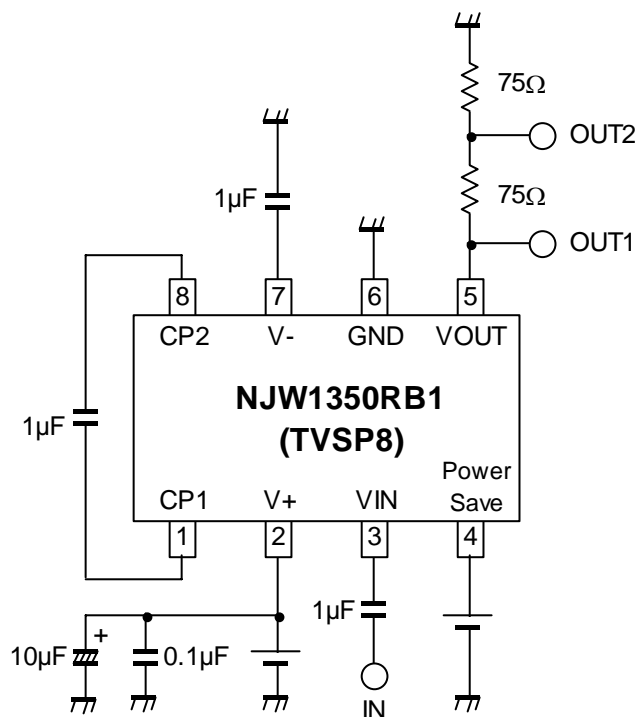
PARAMETER	SYMBOL	TEST CONDITION	MIN.	TYP.	MAX.	UNIT
Operating Current	I <sub>CC</sub>	No Signal	-	14.0	20.0	mA
Operating Current at Power Save	I <sub>save</sub>	No Signal, Power Save Mode	-	0	1.0	uA
Maximum Output Voltage Swing	V <sub>om</sub>	f=100kHz, THD=1%	4.5	5.2	-	Vp-p
Voltage Gain	G <sub>v</sub>	V <sub>in</sub> =100kHz, 0.5Vp-p, Input Sine Signal	11.6	12.0	12.4	dB
Low Pass Filter Characteristic	G <sub>fy</sub> 4.5M	V <sub>in</sub> =4.5MHz/100kHz, 0.5Vp-p	-0.75	-0.05	0.25	dB
	G <sub>fy</sub> 8M	V <sub>in</sub> =8MHz/100kHz, 0.5Vp-p	-7.0	-3.0	-1.0	
	G <sub>fy</sub> 19M	V <sub>in</sub> =19MHz/100kHz, 0.5Vp-p	-	-38	-23	
Differential Gain	DG	V <sub>in</sub> =0.5Vp-p, 10step Video Signal	-	0.5	-	%
Differential Phase	DP	V <sub>in</sub> =0.5Vp-p, 10step Video Signal	-	0.5	-	deg
S/N Ratio	SN <sub>v</sub>	100kHz to 6MHz, V <sub>in</sub> =0.5Vp-p 100% White Video Signal, R <sub>L</sub> =75Ω	-	+70	-	dB
Switching Noise Level	N <sub>swpl</sub>	R <sub>L</sub> =75Ω, 10% White Video Signal input	-	4.0	7.0	mVpp
2nd. Distortion	H <sub>v</sub>	V <sub>in</sub> =0.5Vp-p, Sine Signal , 3.58MHz, R <sub>L</sub> =75Ω	-	-60	-	dB
SW Change Voltage High Level	V <sub>thPH</sub>	Active	1.25	-	V <sup>+</sup>	V
SW Change Voltage Low Level	V <sub>thPL</sub>	Non-active	0	-	0.45	

## ■CONTROL TERMINAL

PARAMETER	STATUS	NOTE
Power Save	H	Power Save: OFF
	L	Power Save: ON (Mute)
	OPEN	Power Save: ON (Mute)

\*Please refer to the NJW1351 data sheet for the example of the characteristic.

## TEST CIRCUIT



**[CAUTION]**  
 The specifications on this databook are only given for information, without any guarantee as regards either mistakes or omissions. The application circuits in this databook are described only to show representative usages of the product and not intended for the guarantee or permission of any right including the industrial rights.

# Mouser Electronics

Authorized Distributor

Click to View Pricing, Inventory, Delivery & Lifecycle Information:

[NJR:](#)

[NJW1350KK1-TE3](#) [NJW1350RB1-TE1](#)