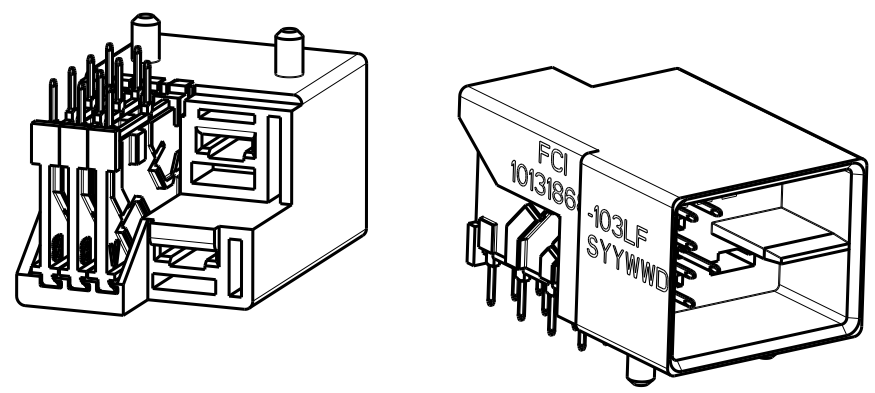
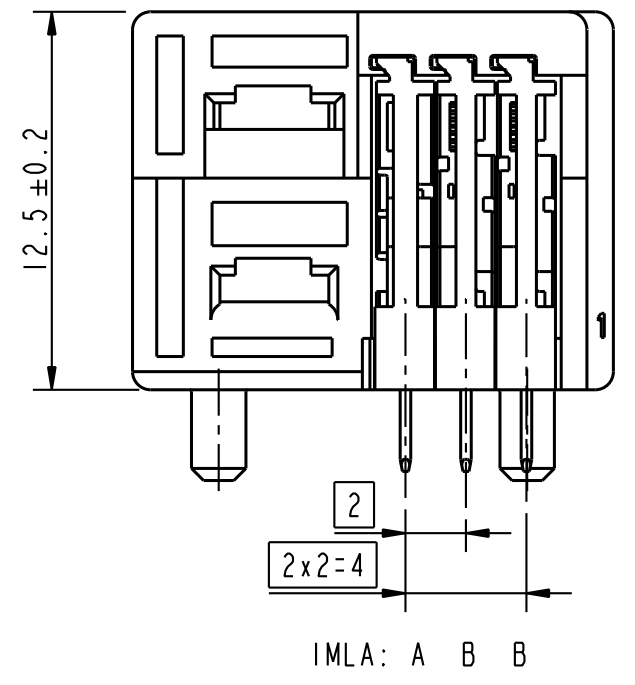
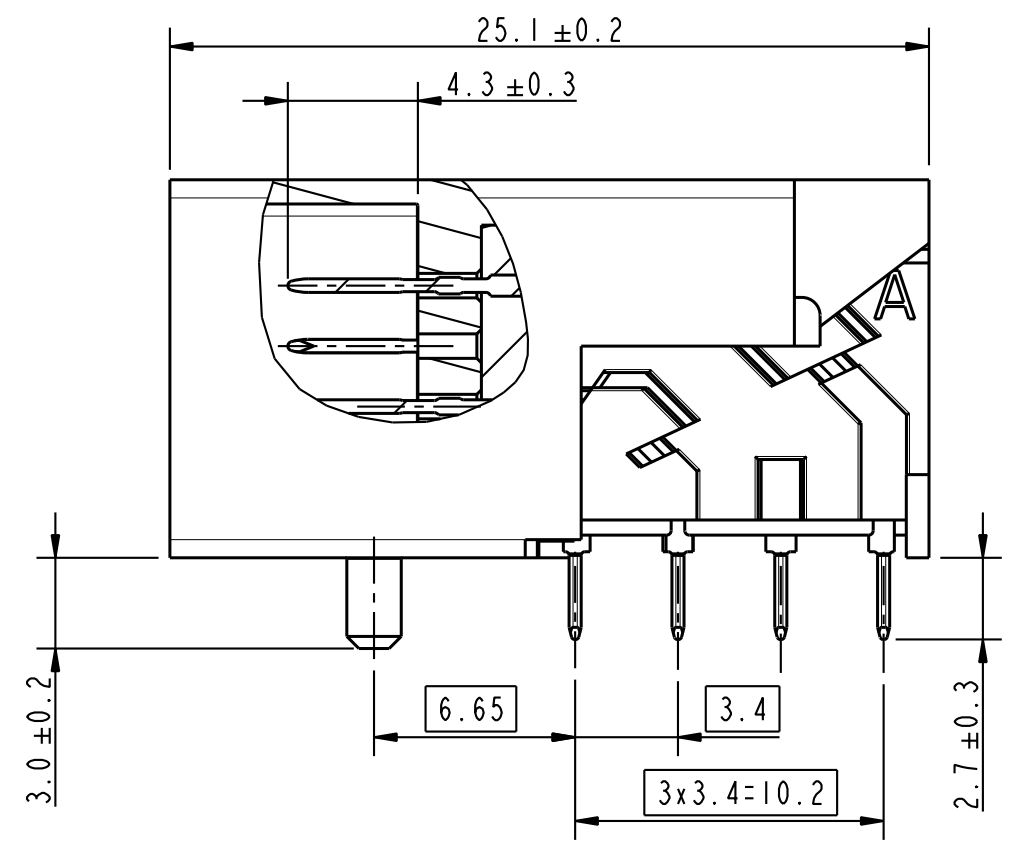
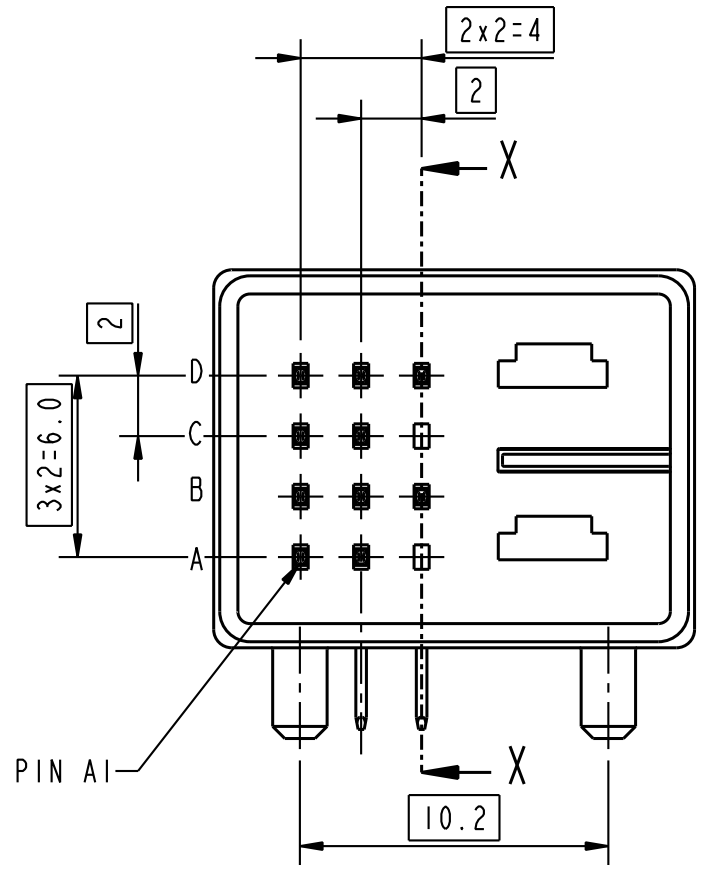
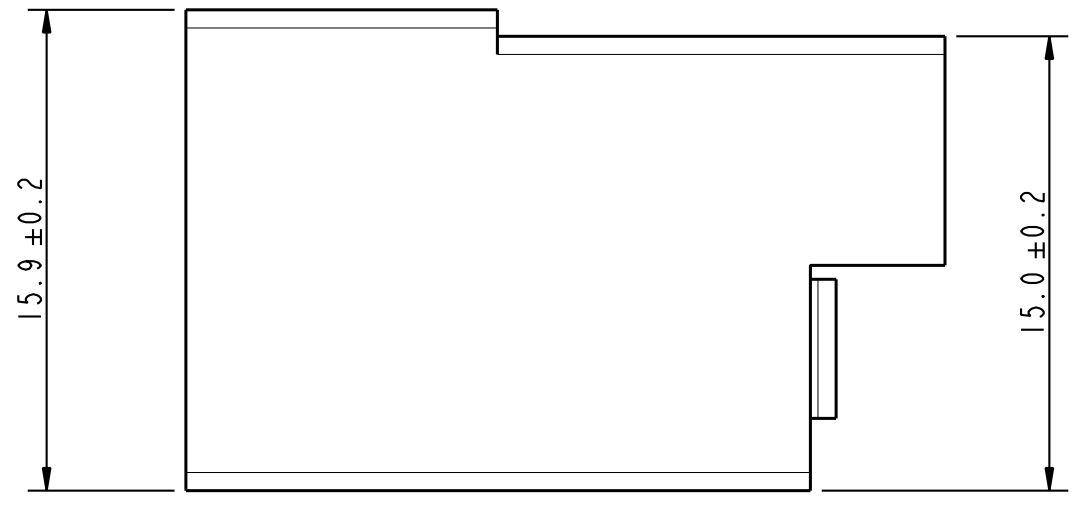


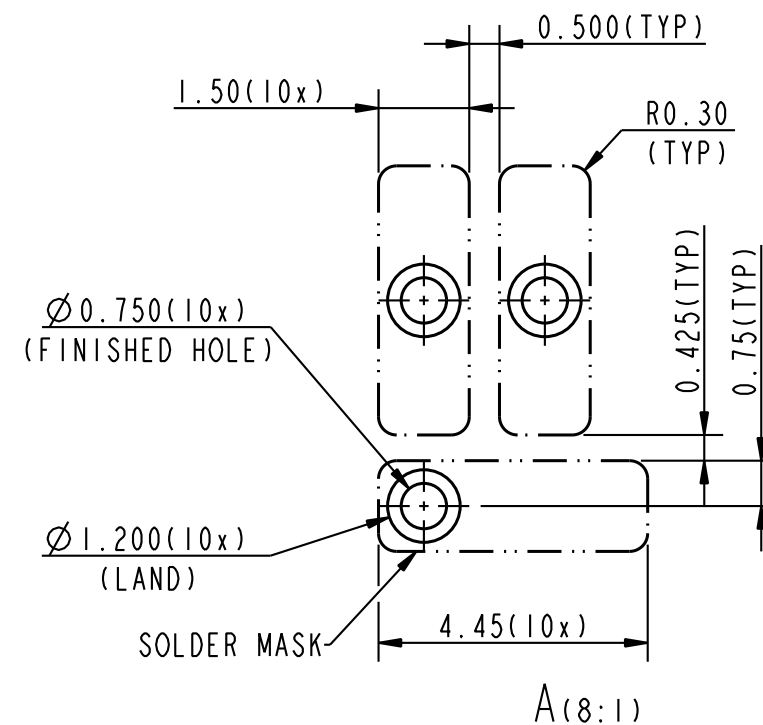
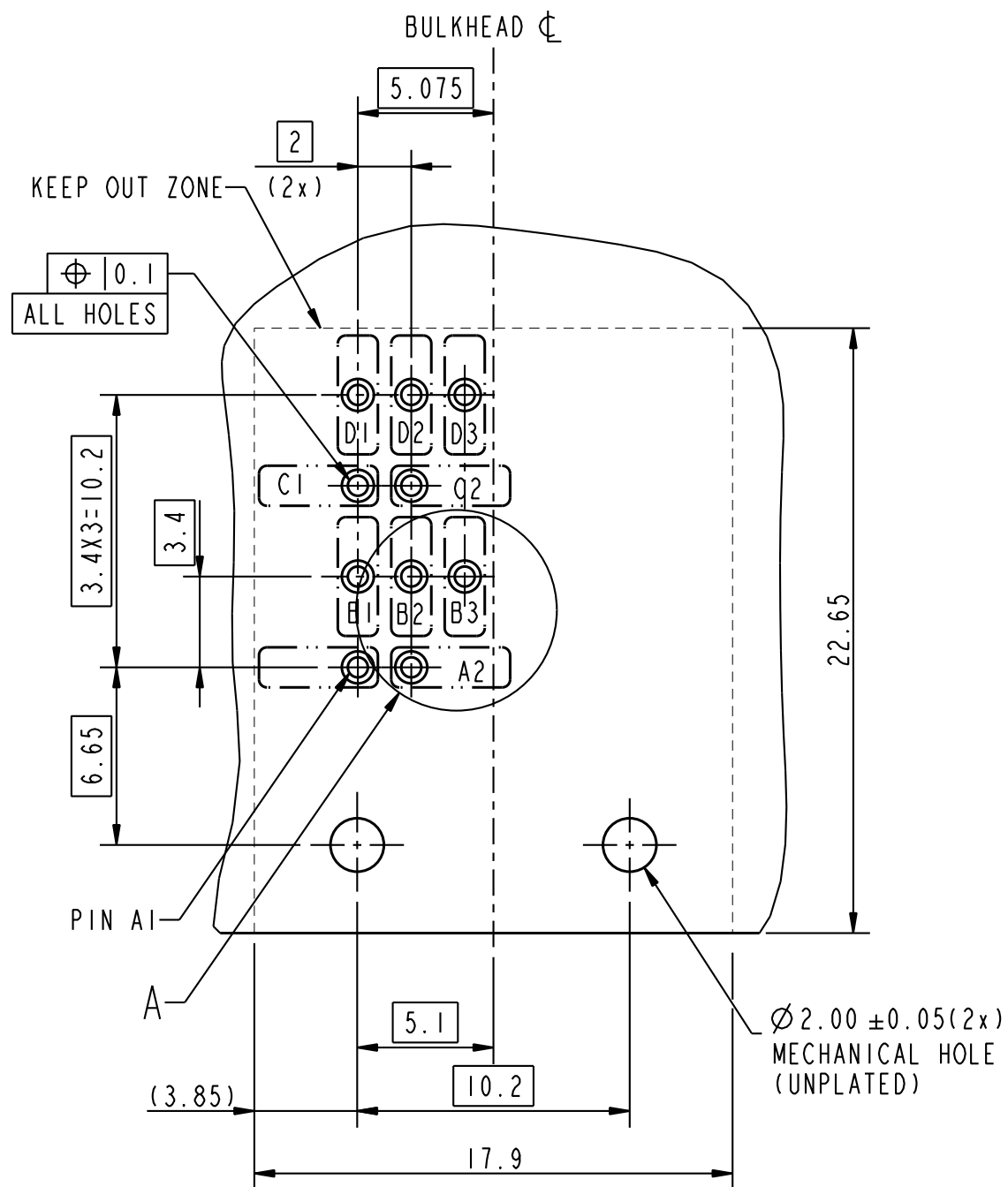
PRODUCT NUMBER  
10131868-103LF



SECTION X-X

spec ref	-	dr	Stalin Alosius	2015/09/23	projection	mm	size	A3	scale	2:1	
tolerance std	ISO 406 ISO 1101	eng	Stalin Alosius	2016/02/23			ecn no	ELX-22463-4	rel level	Released	
TOLERANCES UNLESS OTHERWISE SPECIFIED		chr	-	-							
surface	linear	appr	K-Paul Biju	2016/02/24	product family	METRAL HDXS	dwg no		10131868-103	rev	B
ISO 1302	angular	Amphenol FCI		METRAL HDXS SIGNAL OCTIS RA BC WITH COMBO HSG		cat. no.		-	Product - Customer Drw	sheet 1 of 4	

VIEW FROM COMPONENT SIDE



NOTES:

- MATERIAL :  
- RESIN - LCP, GLASS FILLED, FLAME RETARDANT ACC  
FLAMMABILITY CLASSIFICATION - UL94-V0  
- SIGNAL CONTACTS - COPPER ALLOY
- PLATING :  
- GOLD OVER PALLADIUM NICKEL ON CONTACT AREA OF SIGNALS  
PURE TIN AT TERMINAL AREA OF SIGNALS
- PRODUCT SPECIFICATION: GS-12-1334
- APPLICATION SPECIFICATION: GS-20-0454
- PACKAGING - TAPE & REEL  
PACKAGING SPECIFICATION: GS-XX-XXX
- UNDER PLATING FOR CONTACTS IS 1.27µm NICKEL.
- PRODUCT WILL WITHSTAND EXPOSURE TO 260° FOR 60 SECONDS IN A CONVECTION, INFRA RED OR VAPOUR PHASE REFLOW OVEN
- PRODUCT WHERE THE PARTNUMBER ENDS IN LF MEETS EUROPEAN DIRECTIVES AND OTHER COUNTRY REGULATIONS AS DESCRIBED IN GS-47-0004.

	SIGNAL PTH DETAILS
DRILLED HOLE	0.82-0.87mm
COPPER PLATING	25-50µm
TIN PLATING	0.8-1.2µm
FINISHED HOLE DIA	0.70-0.80mm

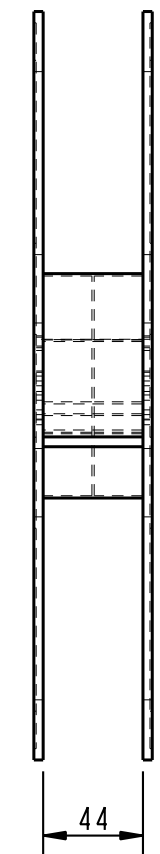
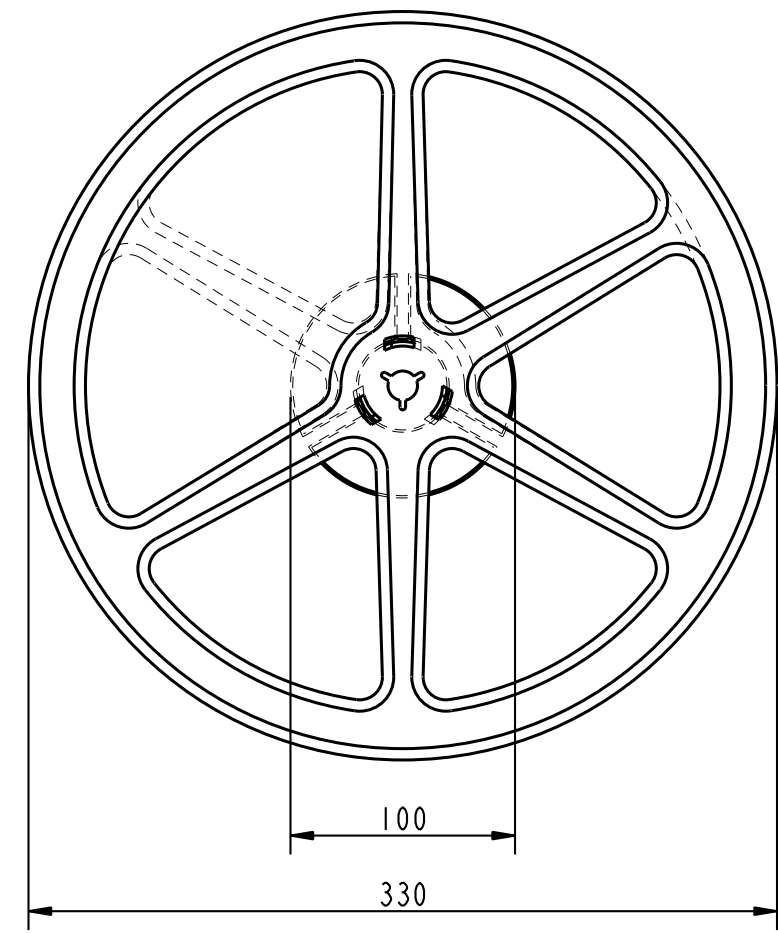
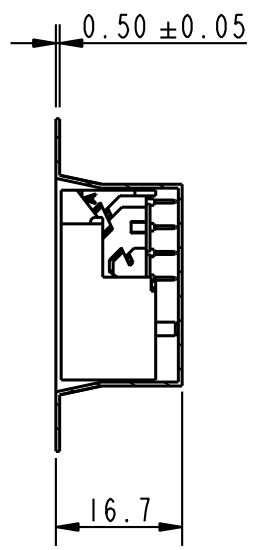
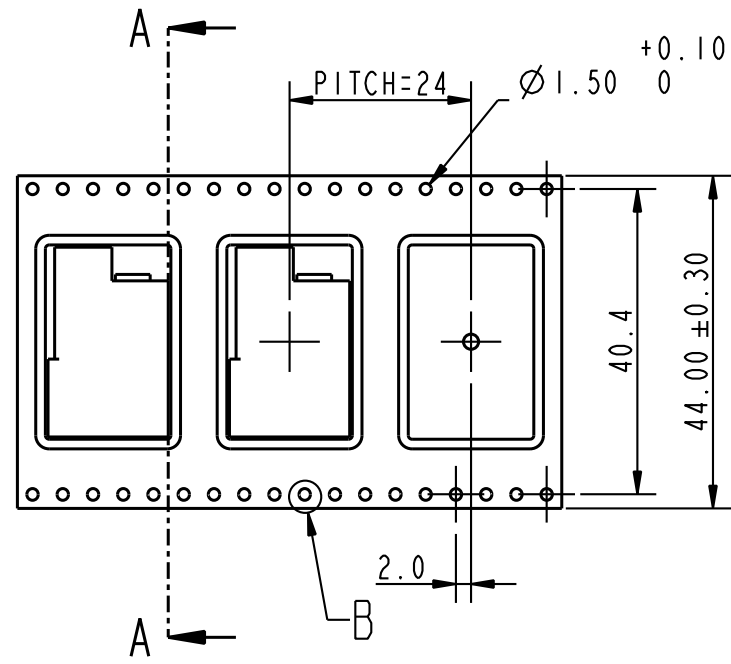
spec ref	-	dr	Stalin Alosius	2015/09/23	projection	mm	size	A3	scale	2:1
tolerance std	ISO 406 ISO 1101	eng	Stalin Alosius	2016/02/23			ecn no	ELX-22463-4		
TOLERANCES UNLESS OTHERWISE SPECIFIED		chr	-	-			rel level	Released		
surface	linear	appr	K-Paul Biju	2016/02/24	product family	METRAL HDXS	cat. no.	-	Product - Customer Drw	sheet 2 of 4
	angular									

**Amphenol FCI**

METRAL HDXS SIGNAL OCTIS RA BC WITH COMBO HSG  
10 SIG PIP TERMINATION

dwg no 10131868-103  
rev B

PACKAGING SPECIFICATION



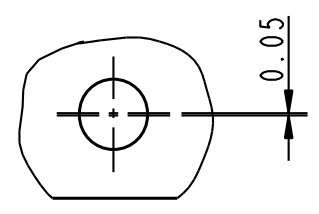
DIRECTION OF FEED →

SECTION A - A

TAPE & REEL PACKING DETAILS

NOTES:

1. CONNECTORS PACKED PER REEL : 150 PIECES
2. PACKAGING DETAILS AS PER EIA-481 STD.
3. PACKING SHOULD BE ANTISTATIC.
4. MATERIAL :  
CARRIER TAPE : POLYSTYRENE  
COVER TAPE : POLYSTYRENE

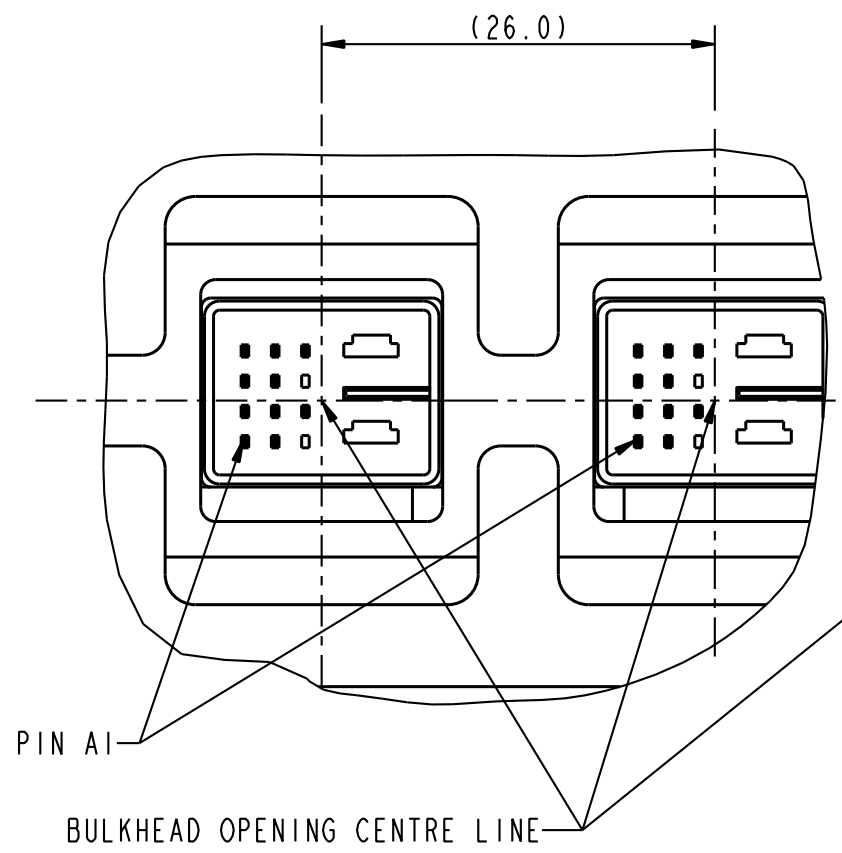


B(6:1)

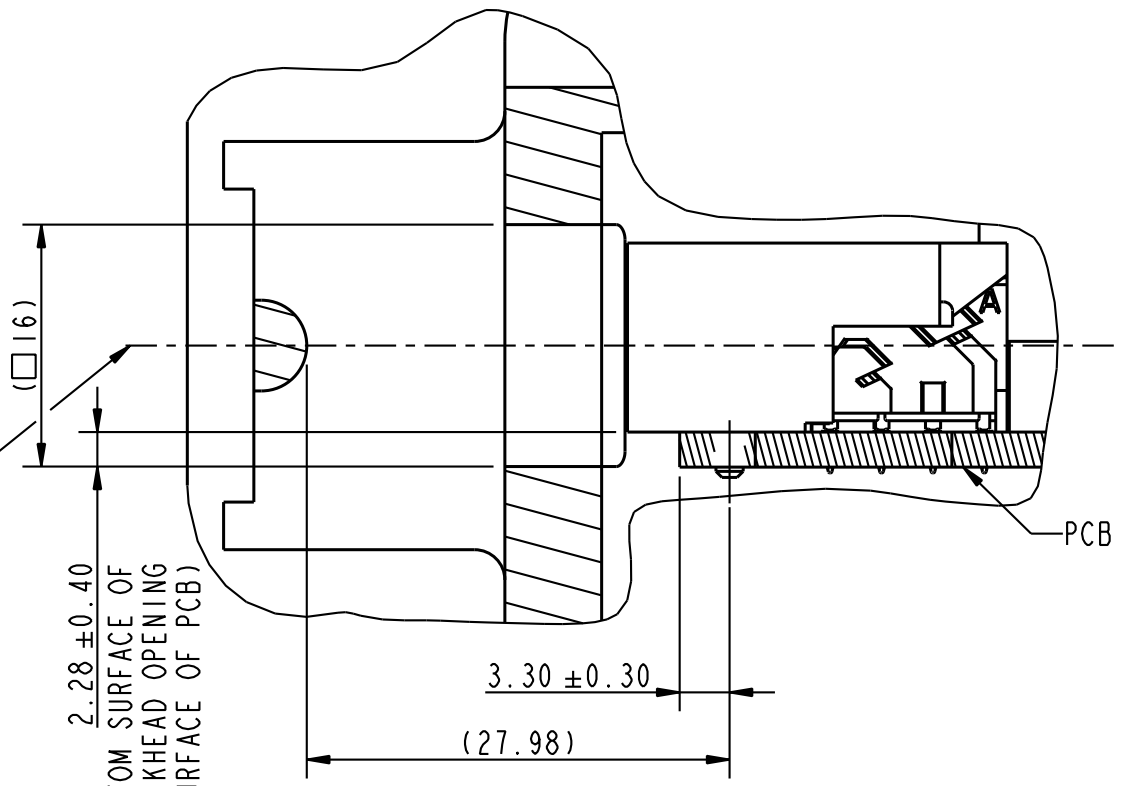
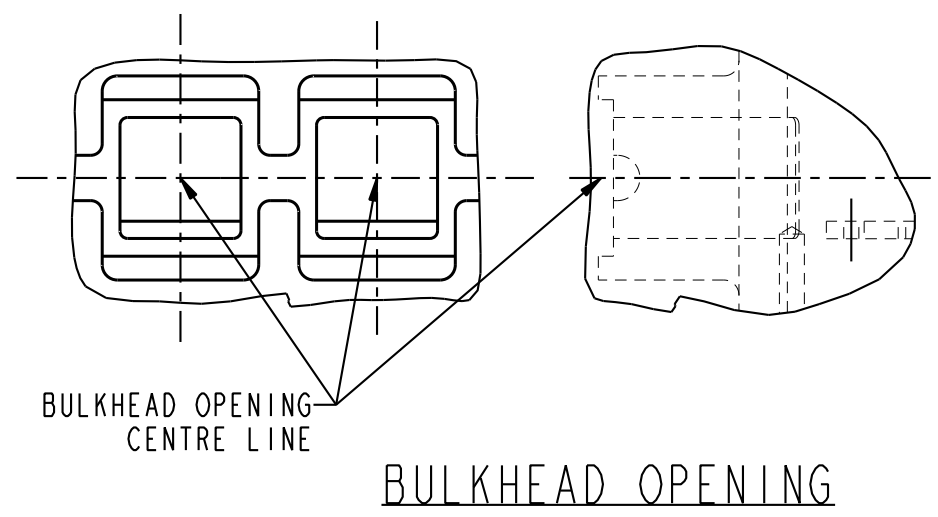
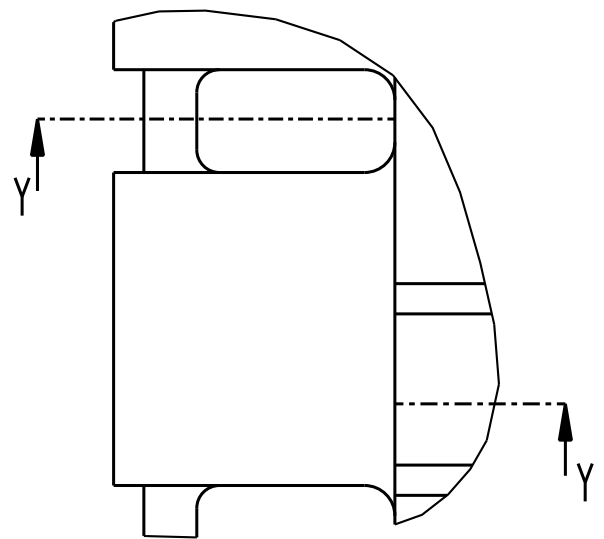
spec ref	-	dr	Stalin Alosius	2015/09/23	projection	mm	size	A3	scale	2:1
tolerance std	ISO 406 ISO 1101	eng	Stalin Alosius	2016/02/23			ecn no	ELX-22463-4		
TOLERANCES UNLESS OTHERWISE SPECIFIED		chr	-	-			rel level	Released		
surface	ISO 1302	appr	K-Paul Biju	2016/02/24	product family		rel level	Released		
	linear	0.X	±0.3	<b>Amphenol FCI</b>	METRAL HDXS SIGNAL OCTIS RA BC WITH COMBO HSG		dwg no 10131868-103	rev		B
		0.XX	±0.10		10 SIG PIP TERMINATION					
	angular	0°	±2°		cat. no.	Product - Customer Drw		sheet 3 of 4		

Amphenol  
FCi

© 2016 AFCI



BOARD CONNECTOR WITH BULKHEAD



SECTION Y-Y

spec ref	-	dr	Stalin Alosius	2015/09/23	projection	mm	size	A3	scale	1:2
tolerance std	ISO 406 ISO 1101	eng	Stalin Alosius	2016/02/23			ecn no	ELX-22463-4		
TOLERANCES UNLESS OTHERWISE SPECIFIED		chr	-	-			rel level	Released		
surface	linear	0.X	±0.3	<b>Amphenol FCi</b>	product family	METRAL HDXS		dwg no 10131868-103	rev	
		0.XX	±0.10		METRAL HDXS SIGNAL OCTIS RA BC WITH COMBO HSG		B			
	angular	0.0XX	±0.050		10 SIG PIP TERMINATION					
ISO 1302		0°	±2°	cat. no.	-	Product - Customer Drw	sheet 4 of 4			