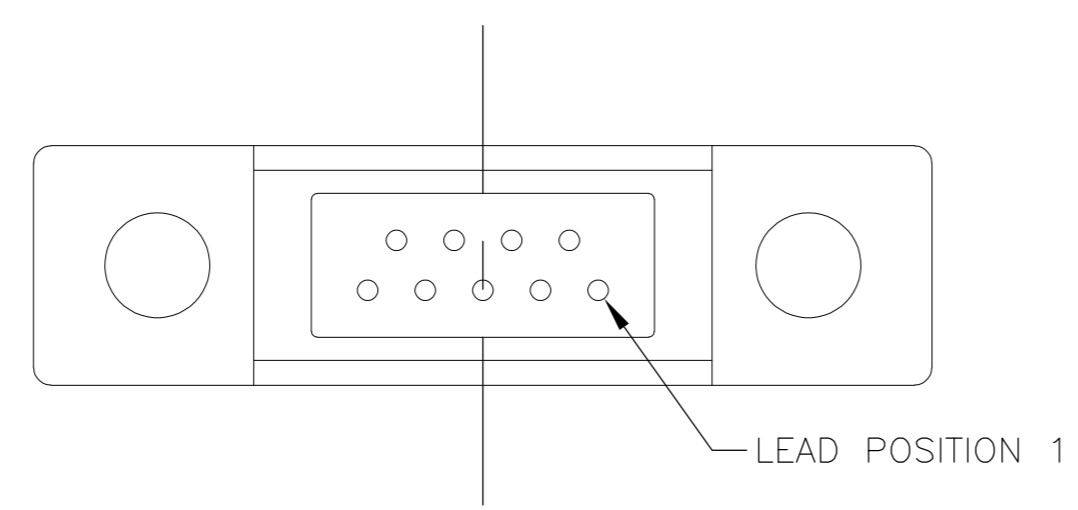
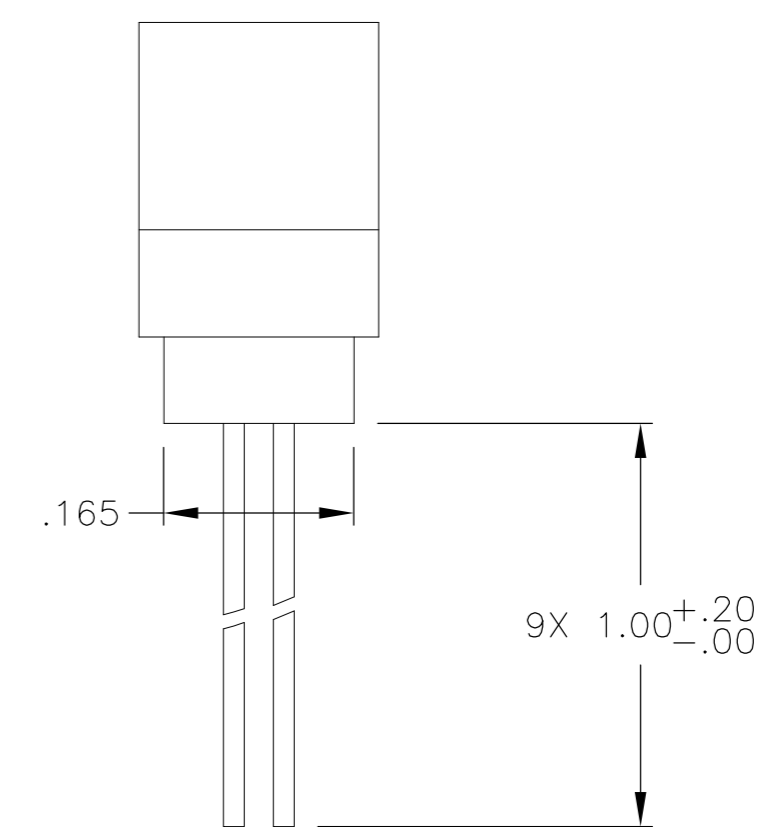
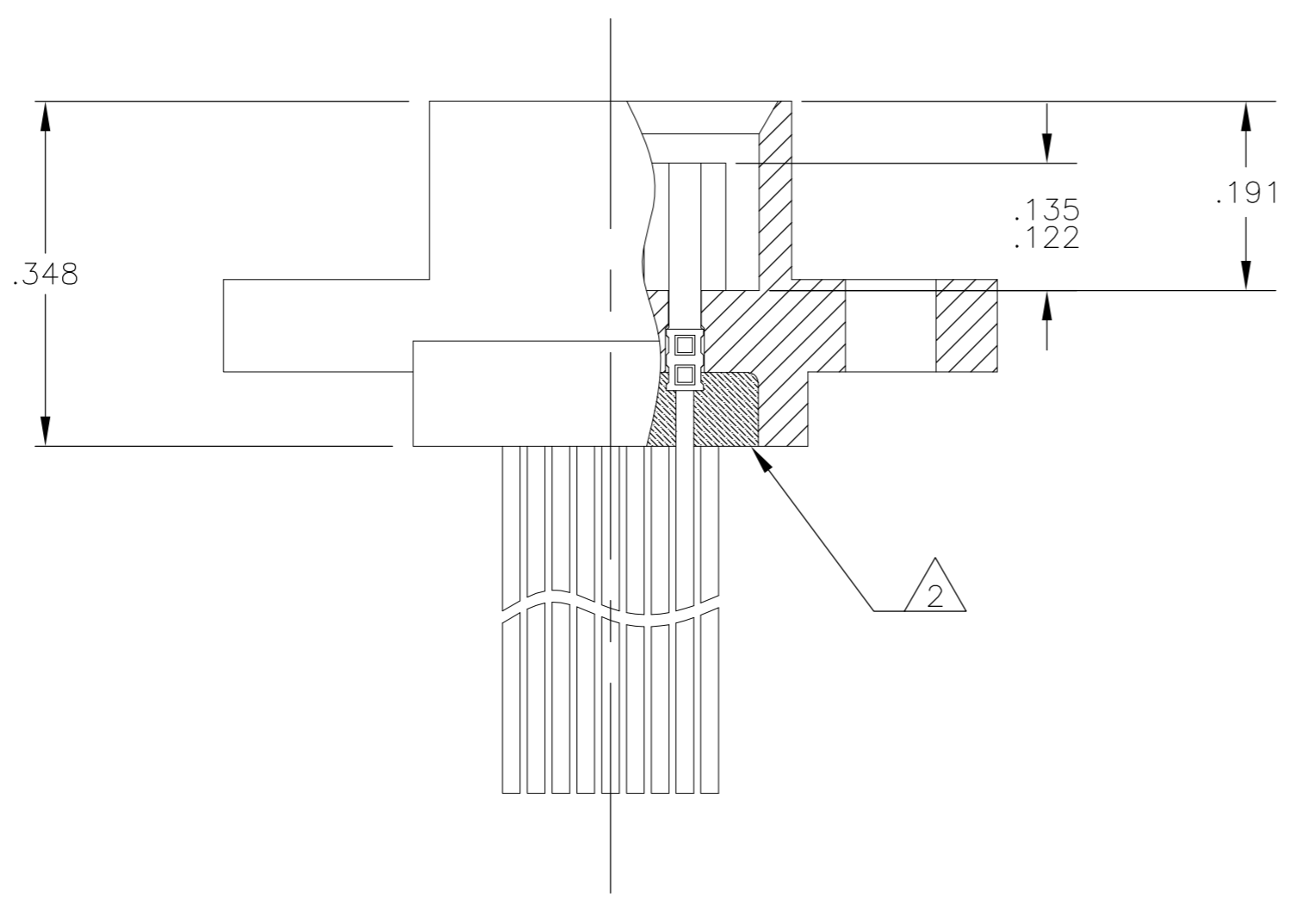
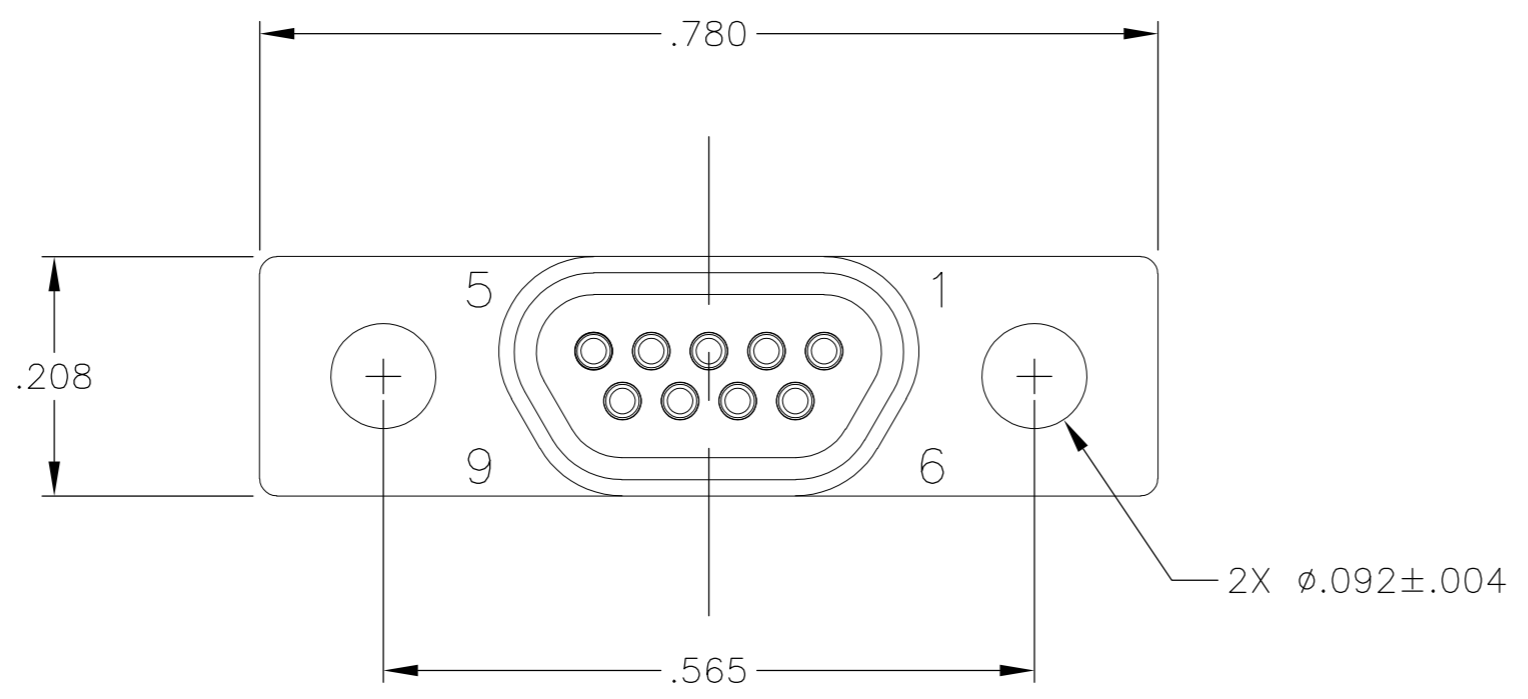


THIS DRAWING IS UNPUBLISHED. RELEASED FOR PUBLICATION
 © COPYRIGHT - By - ALL RIGHTS RESERVED.

LOC		DIST		REVISIONS			
P	LTR	DESCRIPTION	DATE	DWN	APVD		
A1		UPDATE PER ECO-11-007825	04/13/11	PJS	CEP		



- 1 SHELL MAT'L: POLYPHENYLENE SULFIDE IN ACCORDANCE WITH ASTM D4037
 CONTACT MAT'L: COPPER ALLOY, GOLD PLATED
 LEAD MAT'L: COPPER ALLOY, GOLD PLATED AND Sn63Pb37 SOLDER DIPPED
- 2 NO EPOXY ABOVE NOTED SURFACE
- 3 THIS ASSEMBLY WILL MEET THE DIMENSIONAL AND PERFORMANCE REQUIREMENTS OF MIL-DTL-83513, BUT IS NOT QPL DUE TO INSULATOR MATERIAL.

THIS DRAWING IS A CONTROLLED DOCUMENT.		DWN M STORRY 26 MAR 08		
DIMENSIONS: INCHES		CHK M STORRY 26 MAR 08		
TOLERANCES UNLESS OTHERWISE SPECIFIED:		APVD M STORRY 26 MAR 08	NAME MCDR RECEPTACLE ASSEMBLY, 9 POSITION, 25AWG SOLID LEADS, RYTON INSULATOR, MICRODOT P/N 095-0604-2649	
0 PLC ± -		PRODUCT SPEC	SIZE A2	CAGE CODE 98278
1 PLC ± -		APPLICATION SPEC	DRAWING NO 6-1532238-7	RESTRICTED TO -
2 PLC ± .01		WEIGHT -	SCALE 6:1	SHEET 1 of 1
3 PLC ± .005		CUSTOMER DRAWING	REV A1	
4 PLC ± -				
ANGLES ± 1°				
MATERIAL				
FINISH				