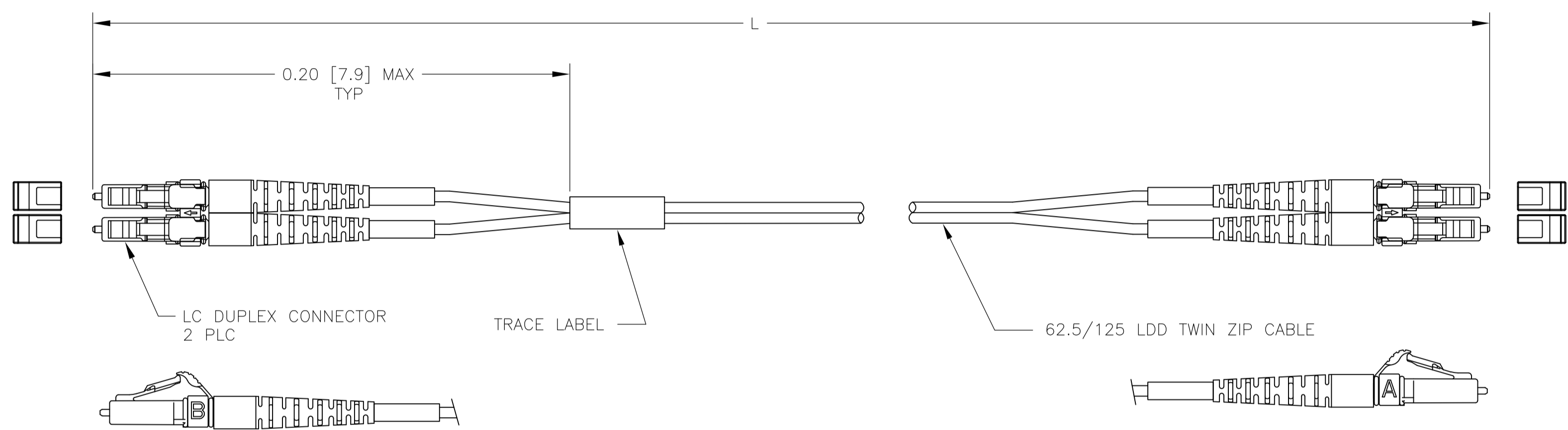


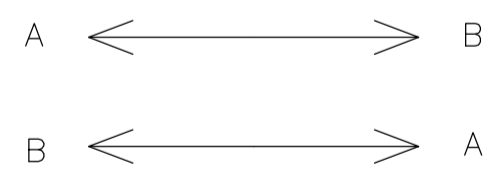
THIS DRAWING IS UNPUBLISHED. RELEASED FOR PUBLICATION
 © COPYRIGHT - By - ALL RIGHTS RESERVED.

| LOC | | DIST | | REVISIONS | | | |
|-----|-----|-------------|---------------|-----------|------|----|--|
| P | LTR | DESCRIPTION | DATE | DWN | APVD | | |
| CE | 16 | E | ECR-14-019320 | 02MAR2015 | BB | JO | |

1. MAXIMUM INSERTION LOSS IS 0.2 dB PLUS CABLE ATTENUATION OF 1.5 dB/km AT 1300nm. (SEE TABLE)
2. DIMENSIONS IN [] ARE IN INCHES.
3. PRODUCT AND PROCESSING MUST MEET REQUIREMENTS OF TEC-138-702



| | | | |
|---------------|-------------|-----------------|-------------|
| 0.20 | 3.50±0.05 | [137.8±2.0] | 9-6374659-3 |
| 0.28 | 50.00±0.50 | [1968.50±19.68] | 5-6374659-0 |
| 0.65 | 300.00±3.00 | [11811.0±118.0] | 9-6374659-9 |
| 0.35 | 100.00±1.00 | [3937.0±39.0] | 9-6374659-8 |
| 0.20 | 0.50±0.03 | [19.68±1.18] | 9-6374659-7 |
| 0.25 | 36.00±0.36 | [1417.3±14.2] | 9-6374659-2 |
| 0.24 | 27.00±0.30 | [1063.0±12.0] | 9-6374659-1 |
| 0.25 | 30.00±0.30 | [1181.1±12.0] | 3-6374659-0 |
| 0.24 | 25.00±0.30 | [984.0±12.0] | 2-6374659-5 |
| 0.23 | 20.00±0.30 | [787.0±12.0] | 2-6374659-0 |
| 0.22 | 15.00±0.15 | [590.6±6.0] | 1-6374659-5 |
| 0.22 | 12.00±0.15 | [472.4±6.0] | 1-6374659-2 |
| 0.21 | 10.00±0.15 | [393.7±6.0] | 1-6374659-0 |
| 0.21 | 8.00±0.15 | [315.0±6.0] | 6374659-8 |
| 0.31 | 76.2±0.76 | [3000.0±30.0] | 6374659-7 |
| 0.20 | 1.50±0.05 | [59.5±2.0] | 6374659-6 |
| 0.20 | 5.00±0.08 | [196.9±3.0] | 6374659-5 |
| 0.20 | 3.00±0.05 | [118.1±2.0] | 6374659-3 |
| 0.20 | 2.00±0.05 | [78.7±2.0] | 6374659-2 |
| 0.20 | 1.00±0.05 | [39.4±2.0] | 6374659-1 |
| 1 MAX IL (dB) | L | | PART NUMBER |



THIS DRAWING IS A CONTROLLED DOCUMENT.

| | | | |
|---|----------|---------|--|
| DWN | C.S.VASU | 22AUG05 | TE Connectivity |
| CHK | J.DUNCAN | 22AUG05 | |
| APVD | J.DUNCAN | 22AUG05 | |
| DIMENSIONS: METERS [INCHES] | | | NAME |
| TOLERANCES UNLESS OTHERWISE SPECIFIED: 0 PLC ± - 1 PLC ± - 2 PLC ± - 3 PLC ± - 4 PLC ± - ANGLES ± - FINISH - | | | CABLE ASSY, FIBER OPTIC, 62.5/125um LDD ZIP, LC DUPLEX |
| MATERIAL | | | APPLICATION SPEC |
| WEIGHT | | | SIZE |
| CUSTOMER DRAWING | | | CAGE CODE |
| SCALE | | | DRAWING NO |
| SHEET | | | RESTRICTED TO |
| 1 of 1 | | | REV |
| NTS | | | E |