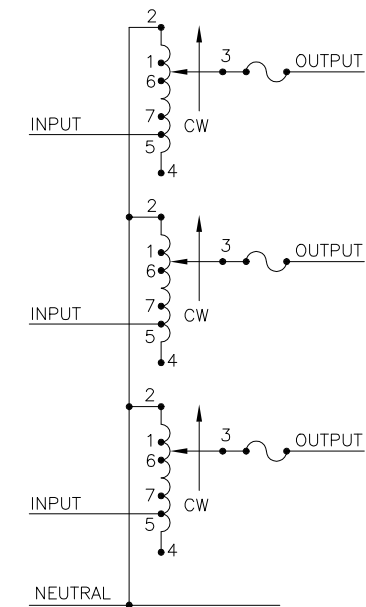


NOTE:  
 UNIT IS SUPPLIED WITH A 3.50 [95.2] DIA.  
 0-100 GRADUATED DIAL PLATE FOR PANEL MOUNTING.



SCHEMATIC  
 THREE PHASE WYE  
 FUSES RECOMMENDED BUT NOT SUPPLIED

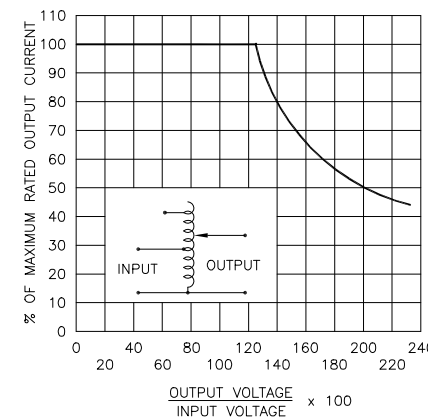
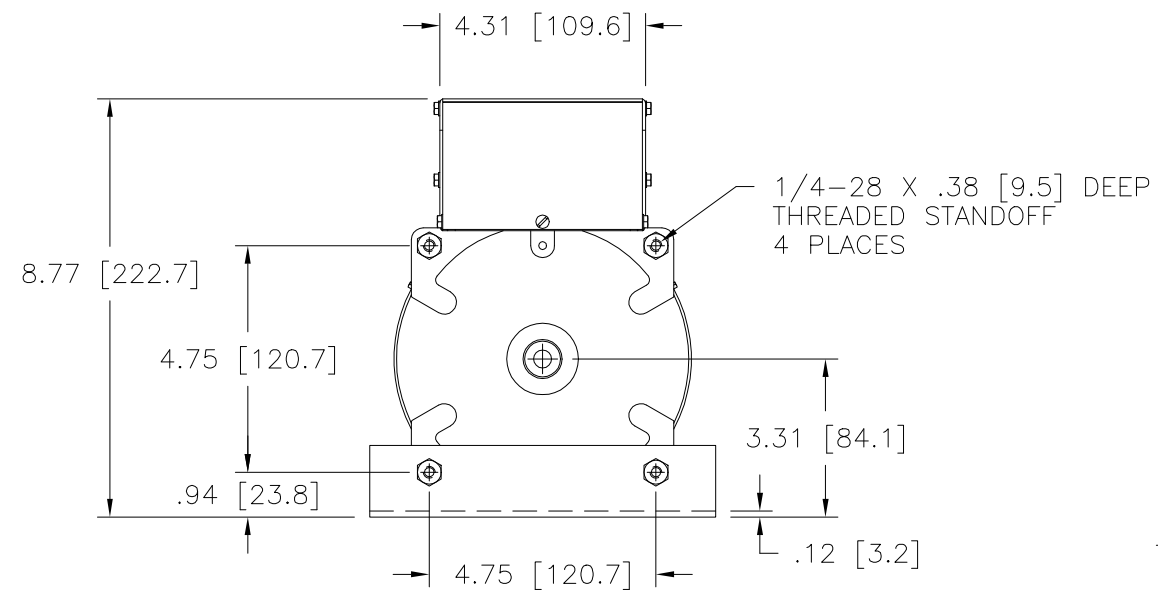


FIGURE A  
 MAXIMUM OUTPUT CURRENT OF ANY  
 DUAL INPUT VOLTAGE OR VOLTAGE DOUBLER  
 UNIT OPERATED AT LOWER INPUT VOLTAGE.

# MAXIMUM OUTPUT CURRENT IN OUTPUT VOLTAGE RANGE FROM 0 TO 25% ABOVE LINE VOLTAGE. AT HIGHER OUTPUT VOLTAGES, THE OUTPUT CURRENT MUST BE REDUCED ACCORDING TO THE DERATING CURVE FIGURE A.

§ MAXIMUM KVA AT MAXIMUM OUTPUT VOLTAGE AND CORRESPONDING DERATED OUTPUT CURRENT. MAXIMUM KVA FOR LOWER VOLTAGES MAY BE CALCULATED FROM DERATING CURVE FIGURE A.

++ LINE TO LINE VOLTAGE.

∏ IF GANGED UNITS ARE USED IN A SYSTEM THAT ORDINARILY HAS A COMMON NEUTRAL OR GROUND BETWEEN SOURCE AND LOAD, THE NEUTRAL OR GROUND MUST BE CONNECTED TO THE COMMON TERMINALS OF THE VARIABLE TRANSFORMER ASSEMBLY. IF THE SYSTEM HAS NO NEUTRAL, THE LOAD MUST BE BALANCED OR THE TRANSFORMER WILL BE DAMAGED.

■ JUMPER PROVIDED IN STANDARD COMMON POSITION AND SHOULD BE MOVED OR REMOVED AS REQUIRED.

SPECIFICATIONS											
WIRING	INPUT		OUTPUT				SHAFT ROTATION TO INCREASE VOLTAGE	TERMINAL CONNECTIONS			
	VOLTS	HERTZ	VOLTS	CONSTANT CURRENT LOAD	CONSTANT IMPEDANCE LOAD	FOR INCREASING VOLTAGE AS VIEWED FROM BASE END ■					
				MAX. AMPS	MAX. KVA	MAX. AMPS	MAX. KVA		INPUT	JUMPER	OUTPUT
THREE PHASE WYE ∏	480 ++	50/60	0-480	9.5	7.90	12	10	CW	2-2-2	4-4-4	3-3-3
		60	0-560	9.5	9.21	—	—	CCW	4-4-4	2-2-2	3-3-3
	240 ++	60	0-560	9.5#	3.96 §	—	—	CW	1-1-1	4-4-4	3-3-3
								CCW	5-5-5	2-2-2	3-3-3
								CW	7-7-7	4-4-4	3-3-3
								CCW	6-6-6	2-2-2	3-3-3

UNLESS OTHERWISE SPECIFIED, TOLERANCE IS \* DECIMALS .XX .0005 HOLES .01 ANGLES 1° DRAFT 1-1/2° UNITS IN [mm]

TITLE: SPEC. CONTROL DRAWING VARIABLE TRANSFORMER MODEL: 1520CT-3

MATERIAL: ALL DIMENSIONS APPLY AFTER PLATING

STACO ENERGY PRODUCTS CO. A COMPONENTS CORPORATION OF AMERICA COMPANY DAYTON, OHIO U.S.A.

DRAWN BY: S.A. SMITH DATE: 3/6/97 FIRST USED ON: 1520CT-3 DO NOT SCALE DWG. CUSTOMER APPROVAL: DATE

CHECKER: DATE: WEIGHT APPROX.: 66 LBS CODE IDENT. NO.: 83008 DWG. NO.: 031-3975

ENGINEER: DATE: SCALE: .50=1 SHEET 1 OF 1