

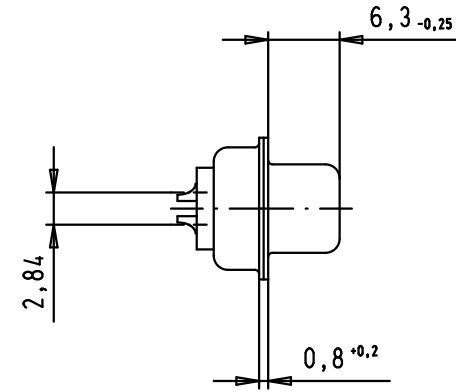
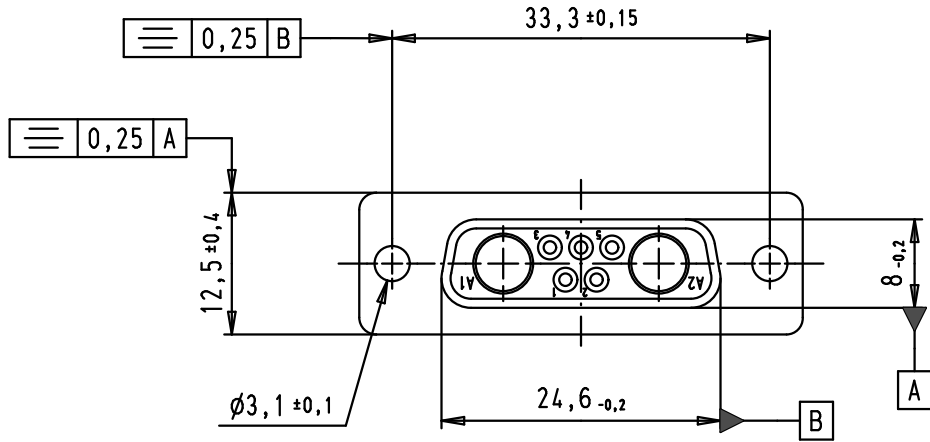
5

4

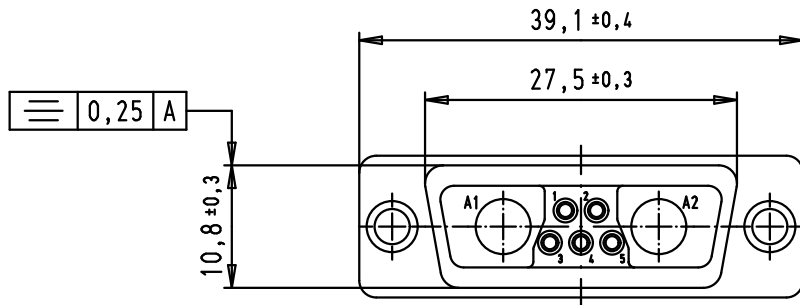
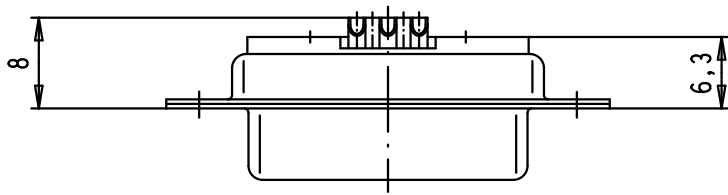
3

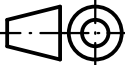

2

1



Solder bucket termination for AWG 20



				Det.	Name	 All Dim. in mm Orig. Size DIN A 4
			Detail.	21/09/07	PK	
			Insp.			
			Stand.			
EC01706	21/04/10	SC	HARTING EURL			TB 09 69 201 X072 Sub.
34614	21/09/07	PK	F-95972 Paris			
Mod.	Det.	Name				

D-Sub, 7W2, female,
straight, solder buckets,
tin plated shell

Maßstab/
Scale

1,5:1

09 69 201 7072	PL3
09 69 201 5072	S4
Part number	Performance level

Blatt/ Page

1 / 1