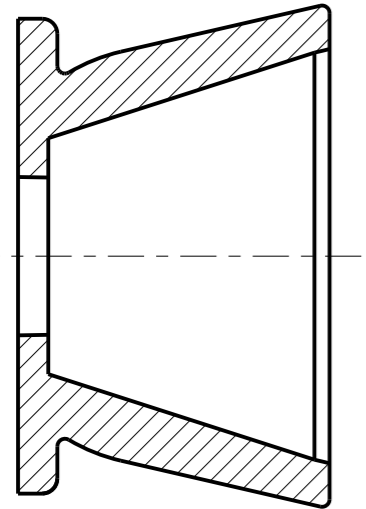




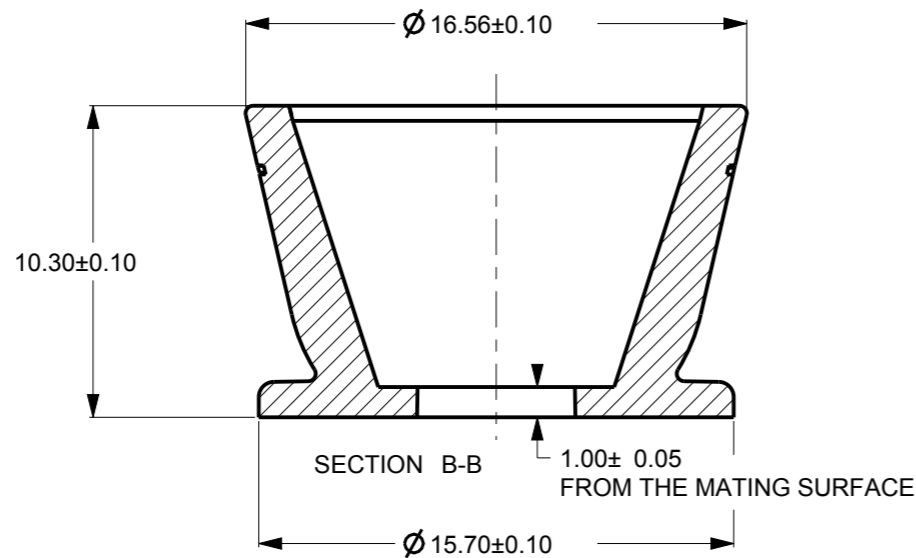
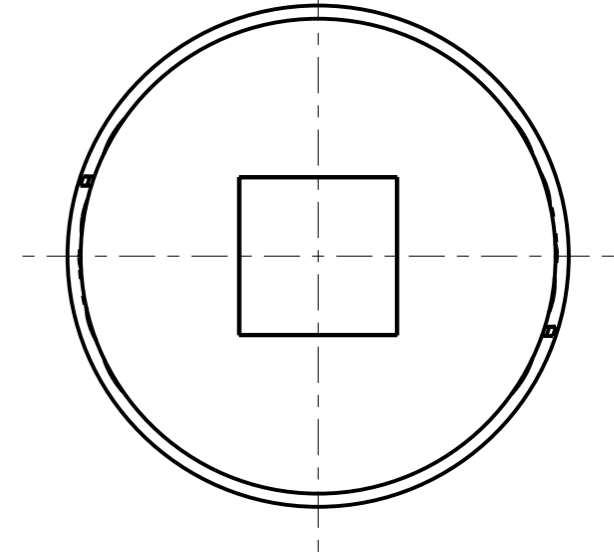
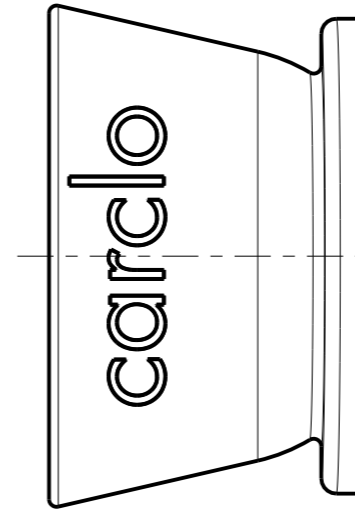
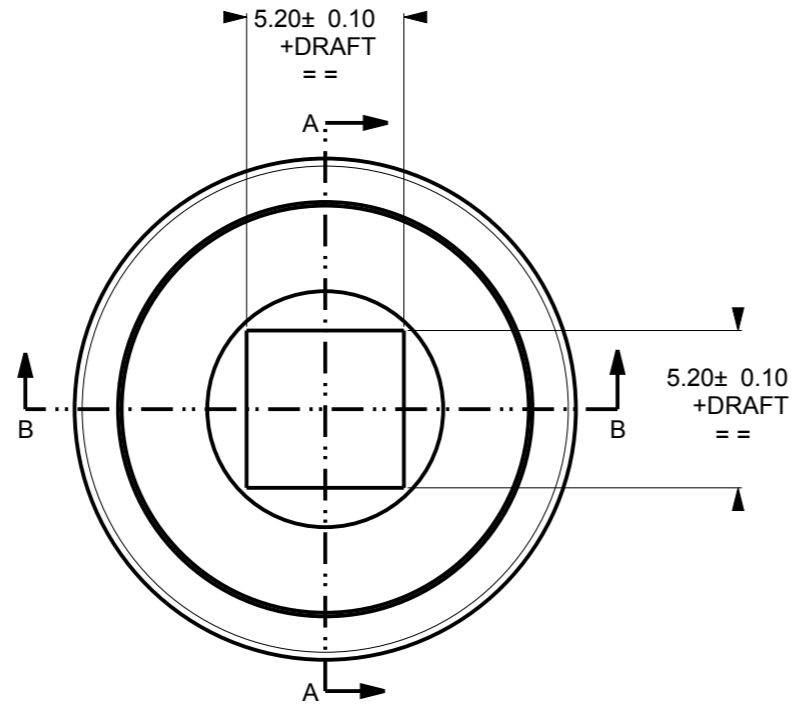
SCALE 1:1

CUSTOMER DRAWING SHEET 2 ONLY

REV.	DATE	D.C.N. NUMBER	DESCRIPTION	CHECKED BY DATE	APPROVED BY DATE
1	13/01/12		FIRST ISSUE	MH 13/01/12	MB 13/01/12
1A	24/07/12	07/12/1341	ADDED SUBSTRATE TABLE AND TIDIED UP DRAWING	MH 24/07/12	PW 24/07/12



SECTION A-A



NOTES:

- 1 - MATERIAL: POLYCARBONATE
- 2 - FINISH: COMMERCIAL POLISH FOR ALL NON OPTICAL SURFACES
- 3 - OVERALL PART THICKNESS = 1.4mm
- 4 - COLOUR = CARCLO GREY / ALUMINIUM COATED
- 5 - GENERAL DRAFT 1°
- 6 - SIMPLIFIED GEOMETRY SHOWN. NOT SUITABLE FOR OPTICAL RAYTRACE

SCALE 4:1

Sheet 2 of 2

 103 BUCKINGHAM AVE, SLOUGH, BERKSHIRE, SL1 4PF, UK Tel: +44 1753 610800 Fax: +44 1753 811359 design@carclo-optics.com www.carclo-optics.com	Title		ARCHIMEDES WIDE BEAM HIGHBAY REFLECTOR - SELF LOCATING		
	Customer		CARCLO		
Drawn by	FP	Material	SEE NOTE		Scale AS SPEC.
THIRD ANGLE PROJECTION	GENERAL TOLERANCES UNLESS OTHERWISE STATED		DIMENSIONS IN mm		Format Size A3
	LINEAR	ANGULAR			
	0 ± 0.25	0 ± 1°			
	0.0 ± 0.1	0.0 ± 0.5°			
	0.00 ± 0.05	0.00 ± 0.1°			
CARCLO technical plastics			CONFIDENTIAL: UNAUTHORISED COPYING, DISCUSSION & DISTRIBUTION PROHIBITED		
CAD File		72-12531-70030-REFL-80-SELF-LOC			
Drw. N°		70030	Part N°	12531	