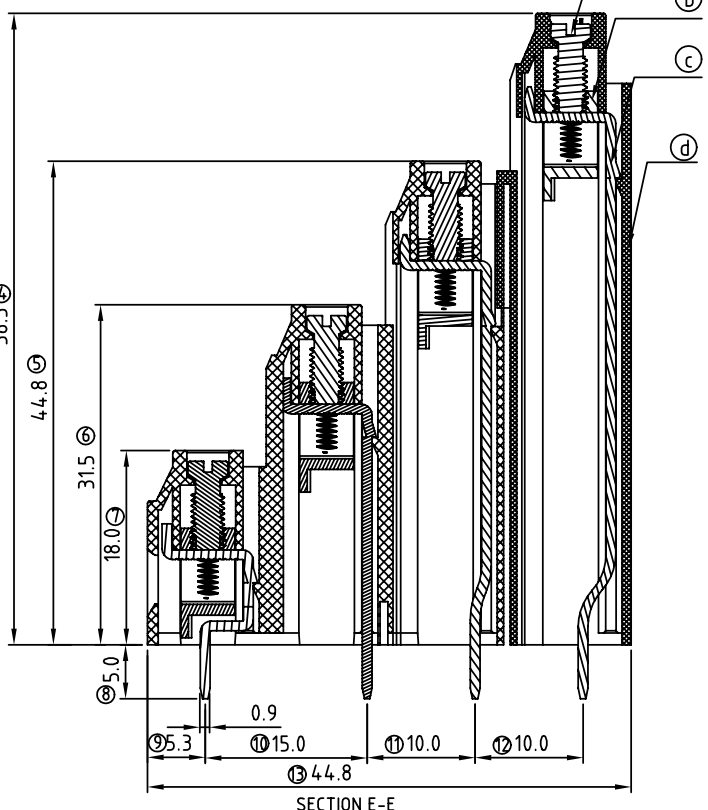
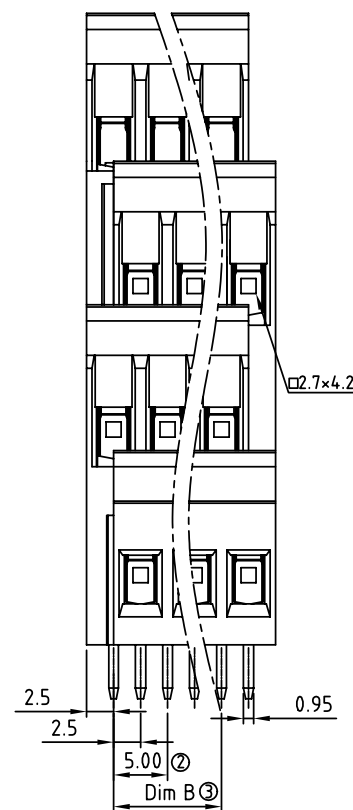


N = Number of poles  
 Dim A = N x 5.0  
 Dim B = (N-1) x 5.0

POLES	Dim A	Dim B
4x2-4x6p	±0.20	±0.20
4x7-4x12p	±0.25	±0.25
4x13-4x18p	±0.30	±0.30
4x19-4x24p	±0.40	±0.40



SIGN	DATE	DESCRIPTION	APPROVER
THIS IS CAD DRAWING, DO NOT REVISE MANUALLY!!!			

**Material**

- Item ② Terminal screw: Steel M3 Zinc plating "-" slot type
- Item ③ Terminal body: Brass(CuZn), Ni plating
- Item ④ Clamp: Brass, Tin plated
- Item ⑤ Terminal housing: Thermoplastic (UL94V-0)

**Electrical cULus**

- Voltage rating: 300VAC
- Current rating: 15A
- Wire range:
- Solid wire(AWG): 12-28
- Stranded wire(AWG): 12-28
- Torque(Lb-In): 4.3
- Screw: M3
- Wire strip length: 6-7mm
- Withstanding Voltage: 1.6KV
- Operating temperature: -40°C to +115°C
- Soldering temperature: 250°C±10°C/5 Sec

**PART NO.**

YI xx 01 x 1 xxxx G

- |                 |                     |                        |
|-----------------|---------------------|------------------------|
| Poles           |                     | RoHS                   |
| 08 2x4Contacts  | 0 Black (RAL9005)   | Pb<40,000ppm           |
| 12 3x4Contacts  | 2 Red (RAL3001/D)   | 0000 Standard @ Logo   |
|                 | 3 Orange(RAL2011/P) | 000A Standard ANY Logo |
|                 | 4 Yellow(RAL1018/A) | Any special item by    |
| 96 24x4Contacts | 5 Green(RAL6018/T)  | customer request,      |
|                 | 6 Blue (RAL5015/A)  | please contact sales   |
|                 | 8 Grey(RAL7035/D)   | department.            |

<b>ANYTEK</b>		<b>CUSTOMER COPY</b>	
ALL RIGHTS RESERVED. REPRODUCTION OR ISSUE TO THRD PARTIES IN ANY FORM WHATSOEVER IS NOT PERMITTED WITHOUT WRITTEN AUTHORITY FROM THE PROPRIETOR. PROPERTY OF ANYTEK TECHNOLOGY CO., LTD			
TITLE	YI 5.0mm Series 4x2P - 4x24P		
PART NO.	YIxx01x1xxxxG	DWG NO.	8Y10101
APPROVED	CHECKED	DESIGNED	DRAWN
		Jacke 09.05.13	Jacke 09.05.13
		SHEET: 01/01	
		UNIT: mm SCALE: 2:1 REV.: A1	
		Tolerance X. ±0.50 X.X ±0.30 X.XX ±0.10 X° ±1°	