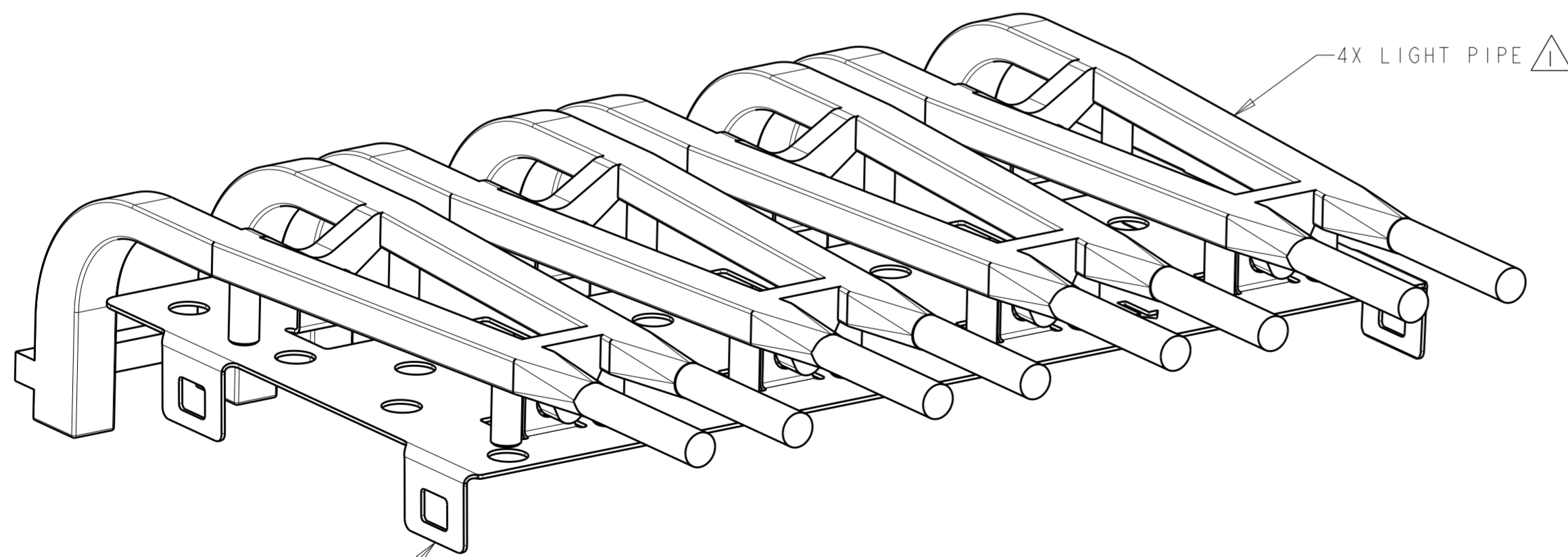
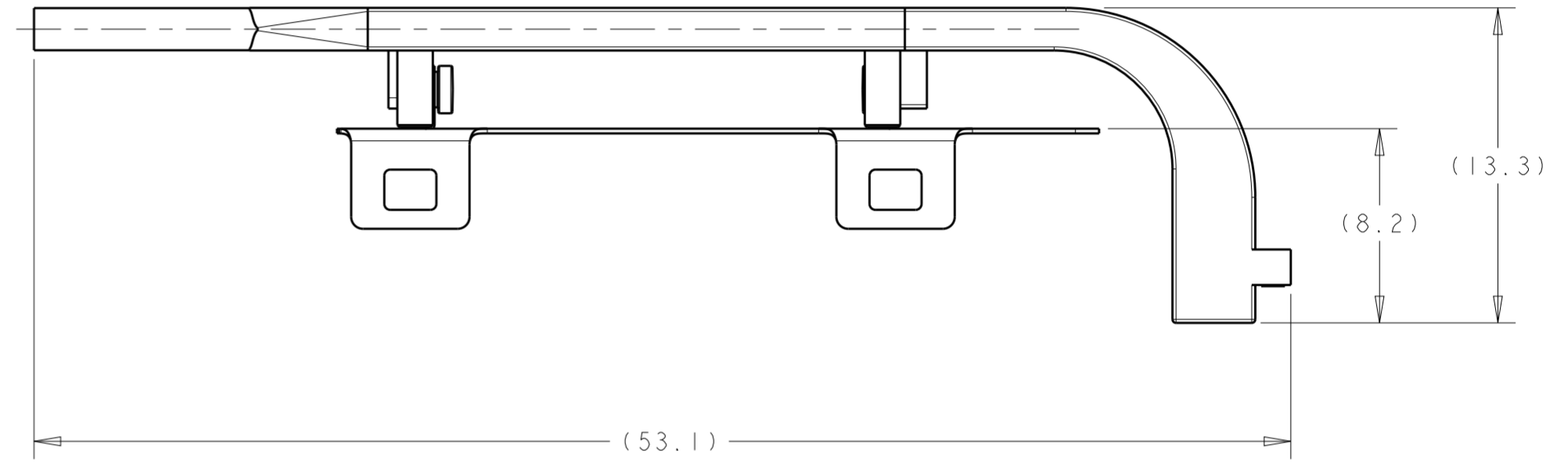
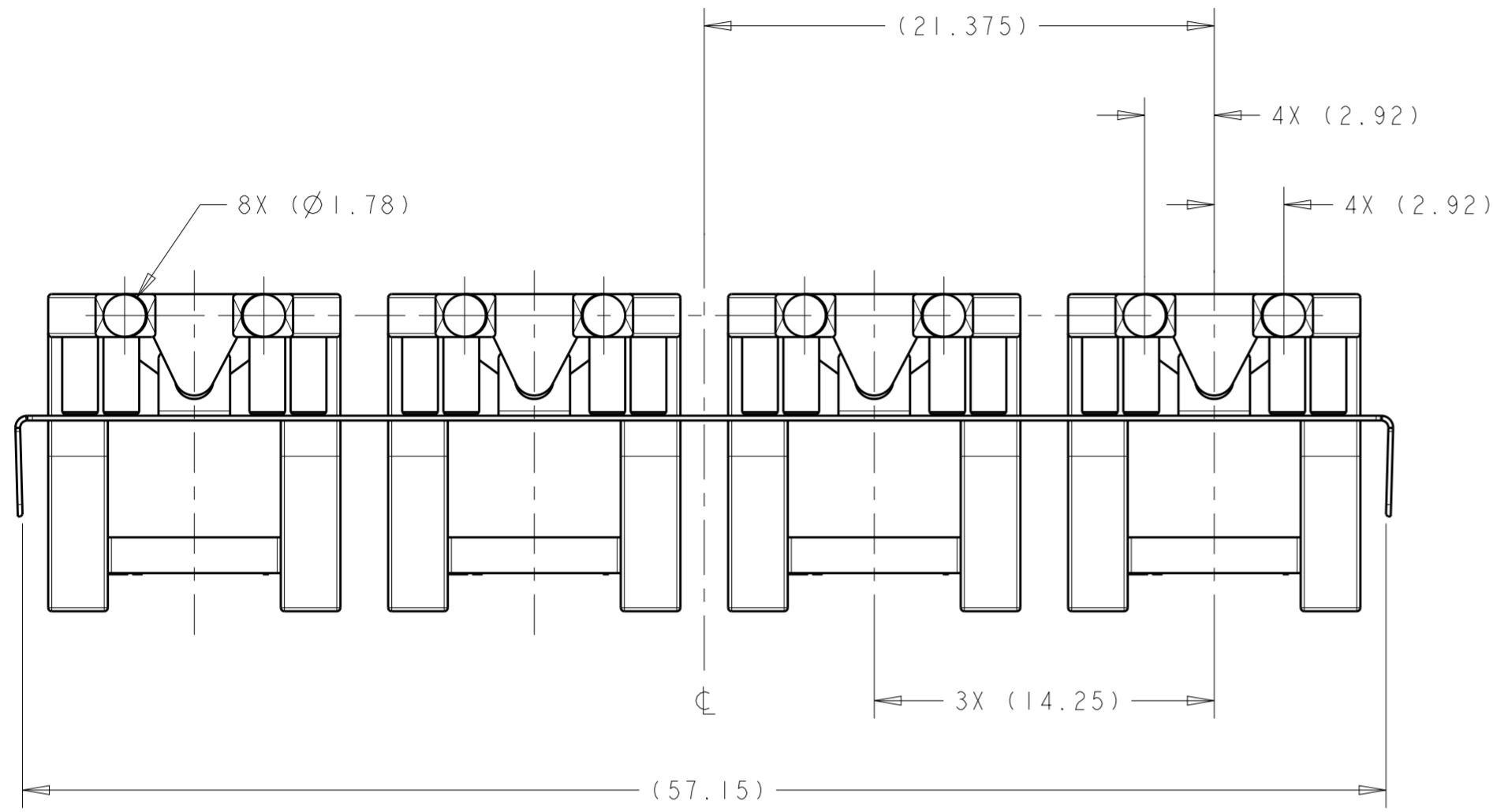


THIS DRAWING IS UNPUBLISHED. RELEASED FOR PUBLICATION
 © COPYRIGHT 20 BY - ALL RIGHTS RESERVED.

LOC		DIST		REVISIONS			
P	LTR	DESCRIPTION	DATE	DWN	APVD		
	A	RELEASED PER ECO-09-004191	23FEB2009	ZMR	MRS		
	A1	REVISED PER ECO-14-003229	05MAR2014	PP	SH		
	A2	REVISED PER ECO-16-013641	31AUG2016	PP	SH		



- ① POLYCARBONATE, CLEAR, UL 94V-2.
- ② STAINLESS STEEL PER ASTM A 666

② LIGHT PIPE BRACKET

2007099-1
SCALE 4:1

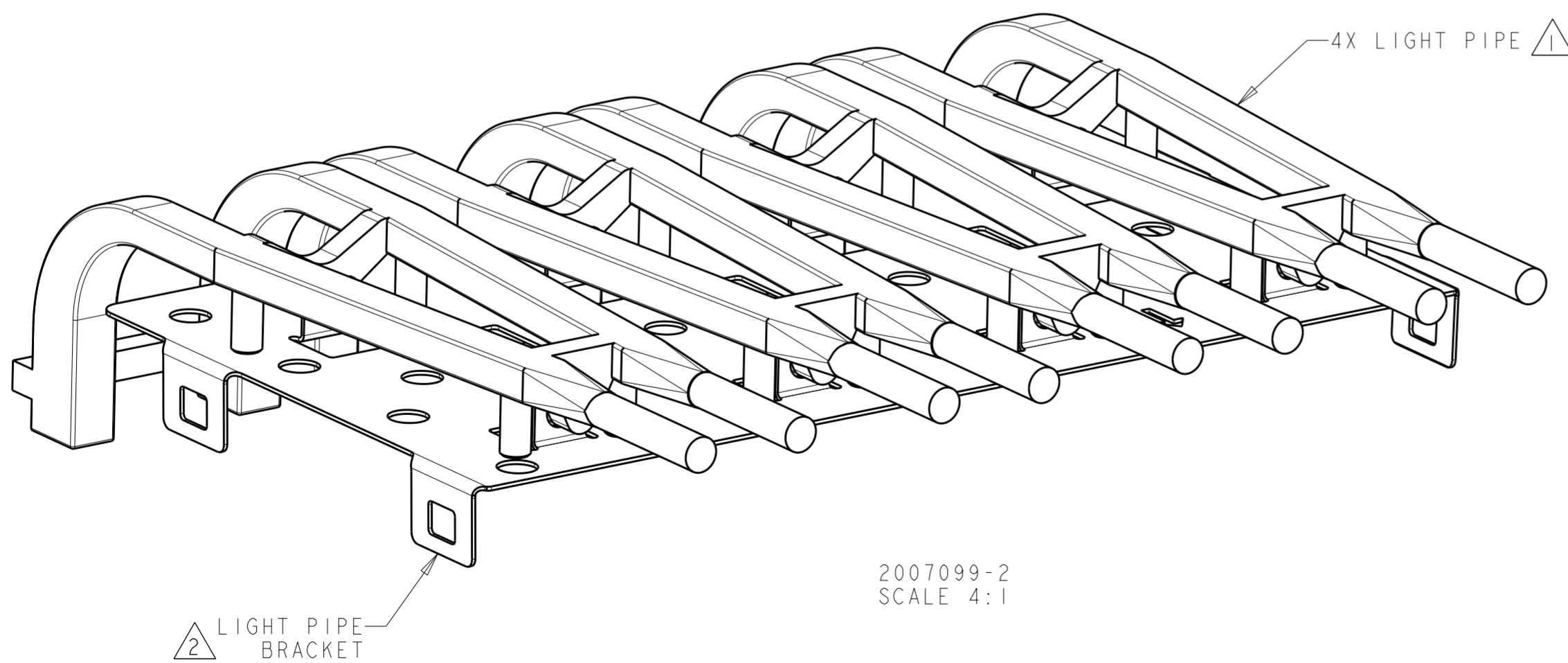
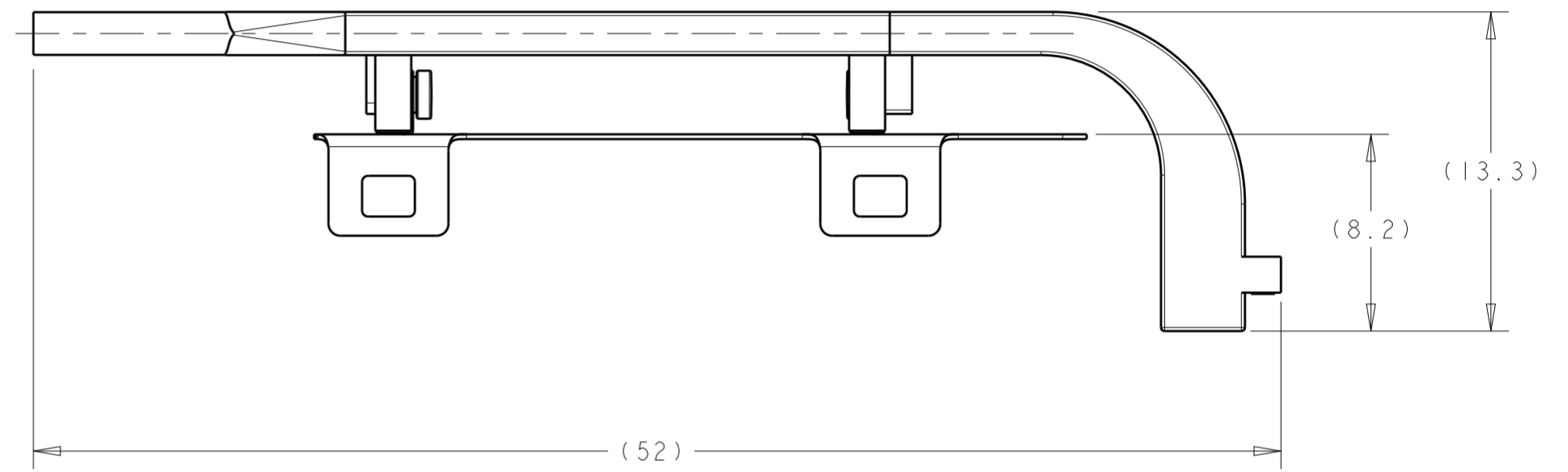
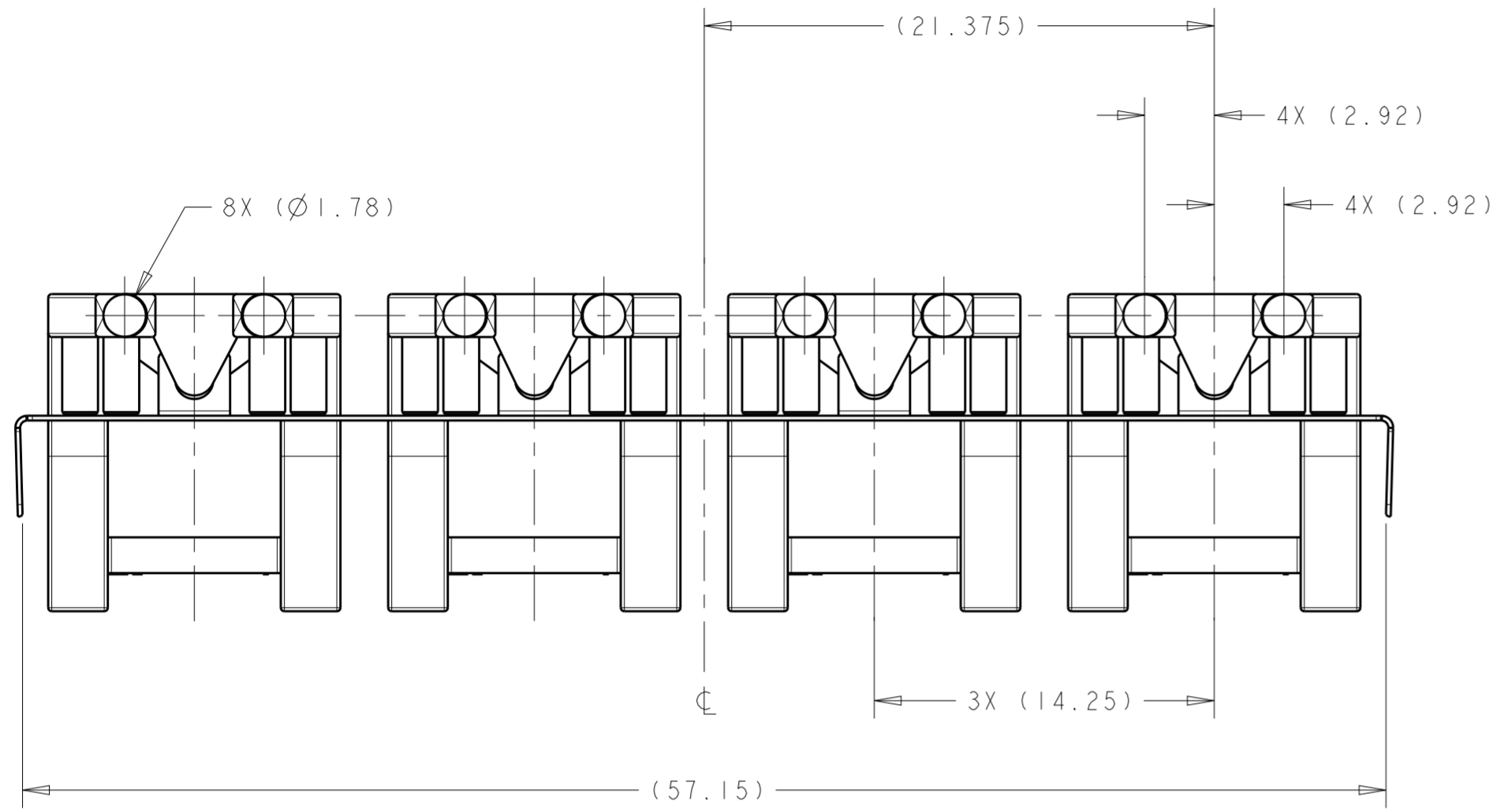
2007099-1

PART NUMBER

THIS DRAWING IS A CONTROLLED DOCUMENT.		DWN M.F. COWHER CHK M.J. PHILLIPS APVD M.J. PHILLIPS	TE Connectivity	
DIMENSIONS: mm	TOLERANCES UNLESS OTHERWISE SPECIFIED:	PRODUCT SPEC 108-2364	NAME 1X4 LIGHT PIPE ASSEMBLY SFP+	
0 PLC ±-	1 PLC ±-	APPLICATION SPEC -	SIZE A2	CAGE CODE 100779
2 PLC ±-	3 PLC ±-	WEIGHT -	DRAWING NO. C-2007099	RESTRICTED TO -
4 PLC ±-	ANGLES ±-	CUSTOMER DRAWING	SCALE 1:1	SHEET 1 OF 6
MATERIAL ① ② -	FINISH -			REV A2

THIS DRAWING IS UNPUBLISHED. RELEASED FOR PUBLICATION
 © COPYRIGHT 20 BY - ALL RIGHTS RESERVED.

LOC	DIST	REVISIONS			
P	LTR	DESCRIPTION	DATE	DWN	APVD
-	-	SEE SHEET 1	-	-	-



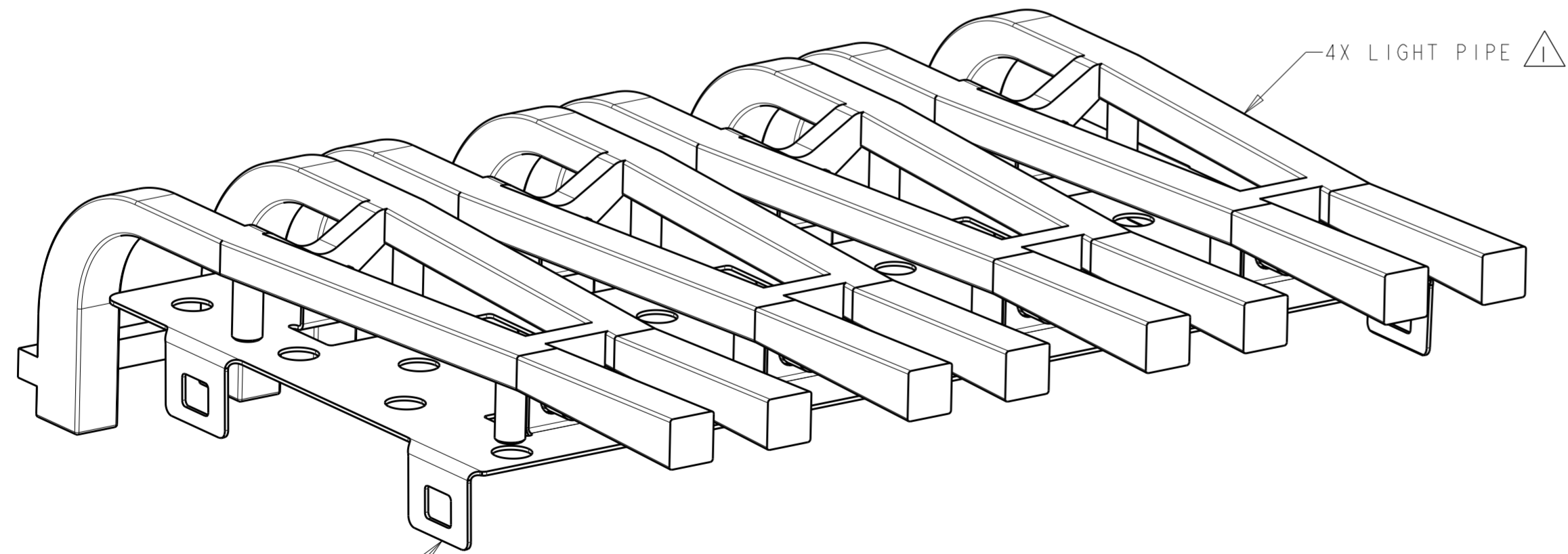
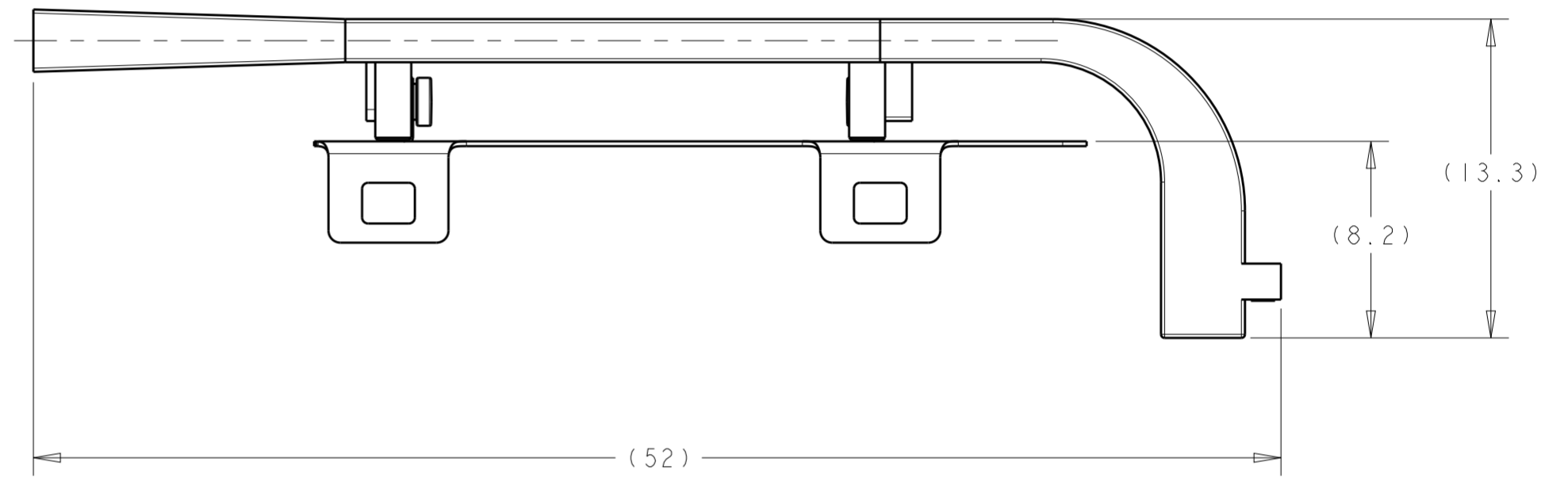
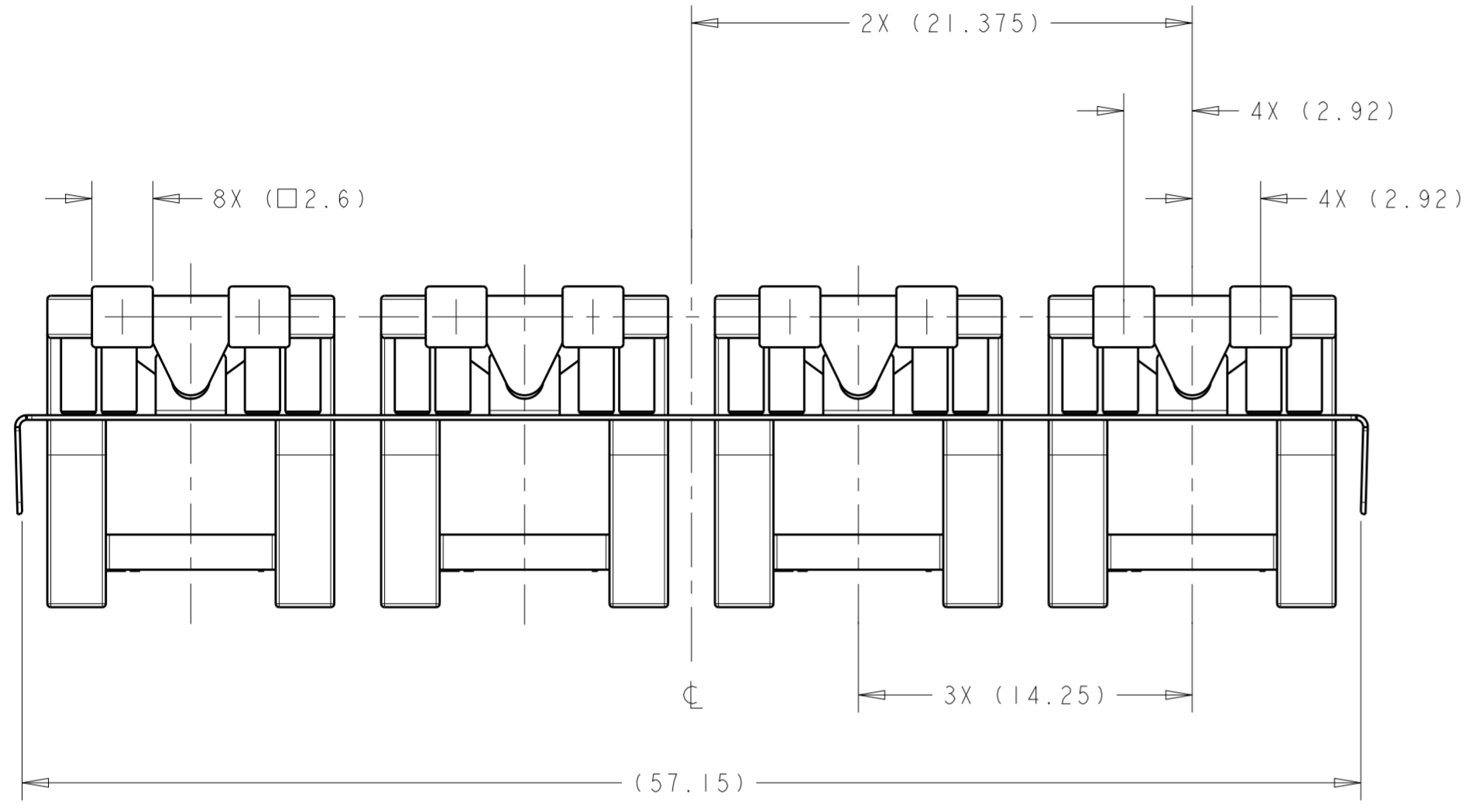
2007099-2
 SCALE 4:1

2007099-2
 PART NUMBER

THIS DRAWING IS A CONTROLLED DOCUMENT.		DWN: M.F. COWHER CHK: M.J. PHILLIPS APVD: M.J. PHILLIPS	TE Connectivity	
DIMENSIONS: mm	TOLERANCES UNLESS OTHERWISE SPECIFIED:	PRODUCT SPEC: 108-2364	NAME: 1X4 LIGHT PIPE ASSEMBLY SFP+	
0 PLC ±-	1 PLC ±-	APPLICATION SPEC: -	SIZE: A2	CAGE CODE: 100779
2 PLC ±-	3 PLC ±-	WEIGHT: -	DRAWING NO: C-2007099	RESTRICTED TO: -
4 PLC ±-	ANGLES ±-	MATERIAL: material_1-2	SCALE: 4:1	SHEET: 2 OF 6
FINISH: -	finish_spec_2	Customer Drawing	REV: A2	

THIS DRAWING IS UNPUBLISHED. RELEASED FOR PUBLICATION
 © COPYRIGHT 20 BY - ALL RIGHTS RESERVED.

LOC	DIST	REVISIONS			
P	LTR	DESCRIPTION	DATE	DWN	APVD
-	-	SEE SHEET 1	-	-	-



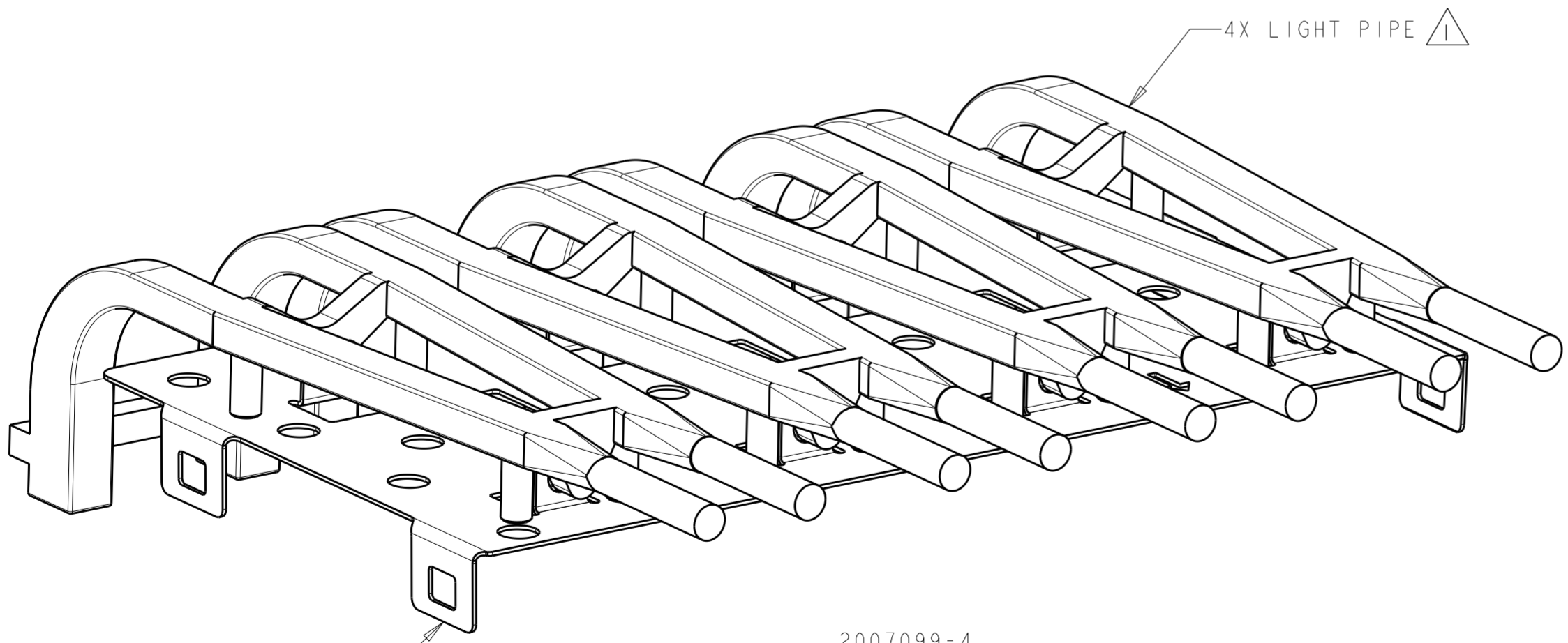
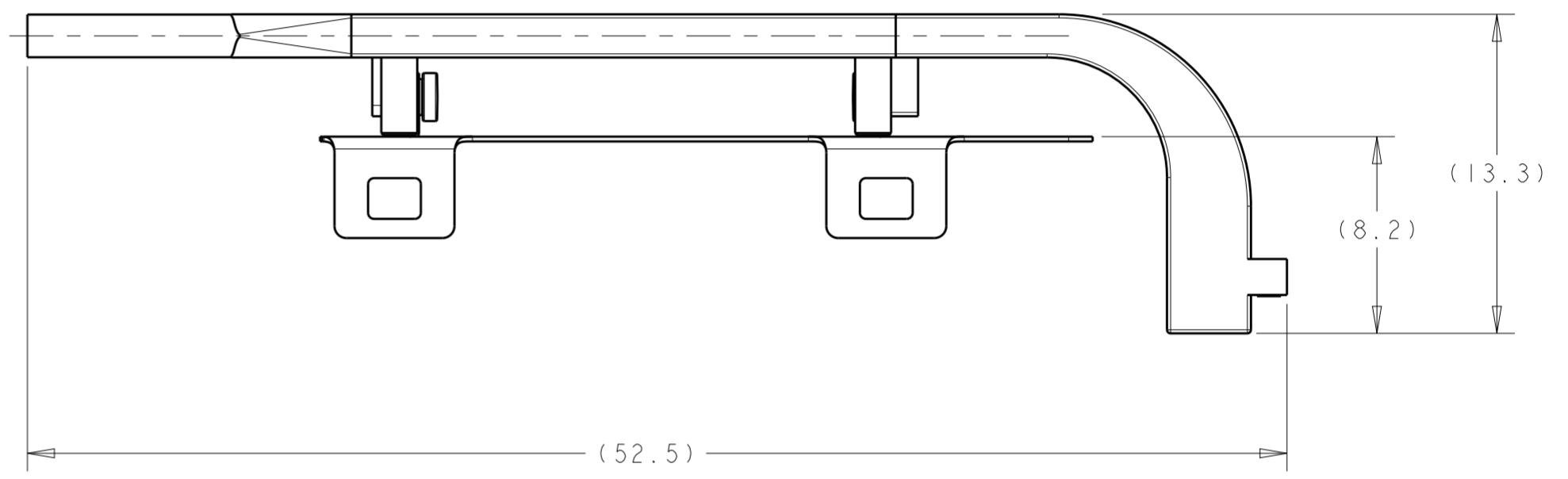
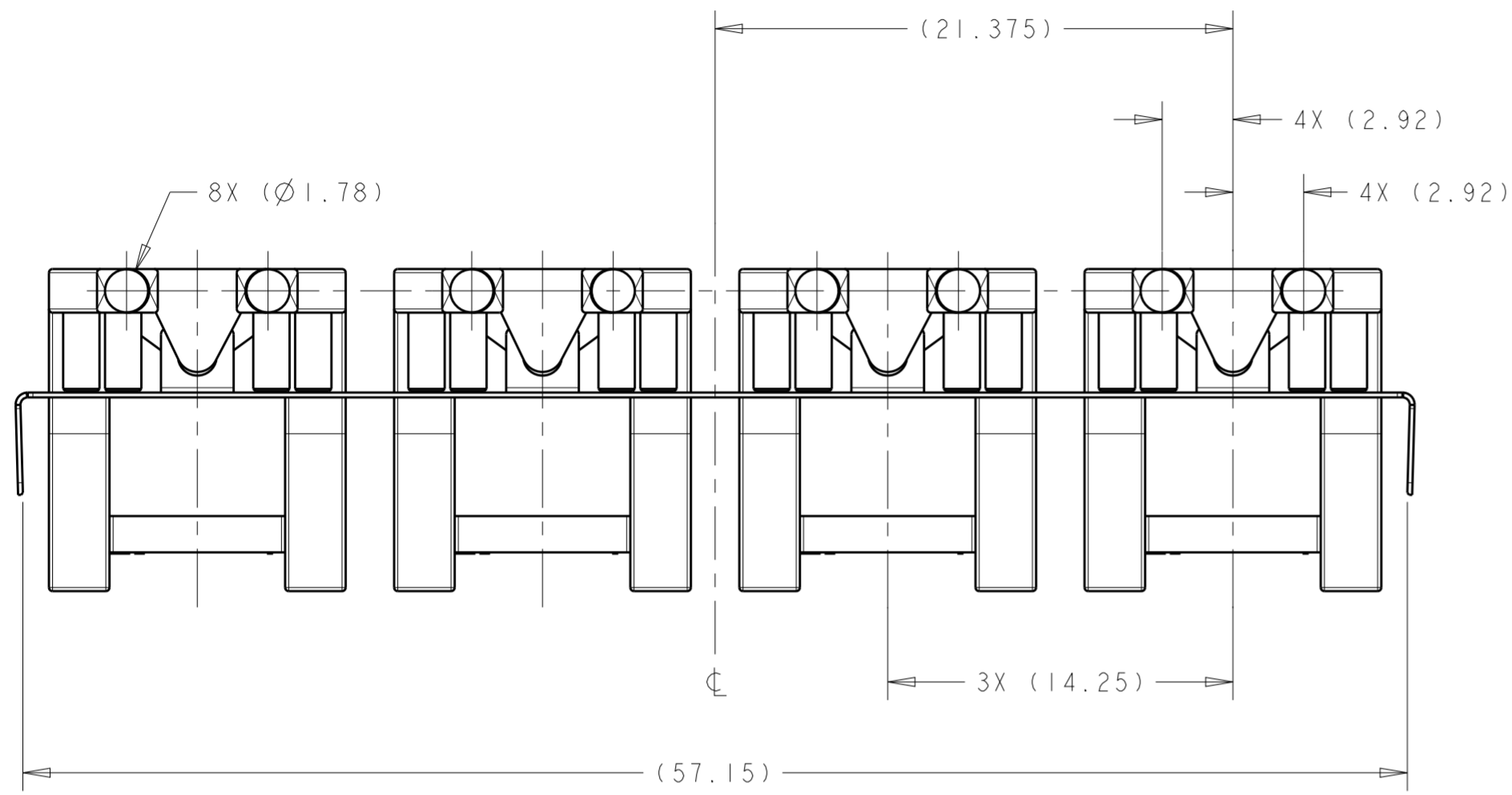
2007099-3
SCALE 4:1

2007099-3
PART NUMBER

THIS DRAWING IS A CONTROLLED DOCUMENT.		DWN: M.F. COWHER CHK: M.J. PHILLIPS APVD: M.J. PHILLIPS	TE Connectivity	
DIMENSIONS: mm	TOLERANCES UNLESS OTHERWISE SPECIFIED:	PRODUCT SPEC: 108-2364	NAME: 1X4 LIGHT PIPE ASSEMBLY SFP+	
0 PLC ±-	1 PLC ±-	APPLICATION SPEC: -	SIZE: A2	CAGE CODE: 100779
2 PLC ±-	3 PLC ±-	WEIGHT: -	DRAWING NO: C-2007099	RESTRICTED TO: -
4 PLC ±-	ANGLES ±-	MATERIAL: -	SCALE: 4:1	SHEET: 3 OF 6
FINISH: -	finish_spec_2	MATERIAL: -	Customer Drawing	REV: A2

THIS DRAWING IS UNPUBLISHED. RELEASED FOR PUBLICATION
 © COPYRIGHT 20 BY - ALL RIGHTS RESERVED.

LOC		DIST		REVISIONS			
P	LTR	DESCRIPTION		DATE	DWN	APVD	
-	-	SEE SHEET 1		-	-	-	



2007099-4
 SCALE 4:1

2007099-4
 PART NUMBER

THIS DRAWING IS A CONTROLLED DOCUMENT.		DWN M.F. COWHER CHK M.J. PHILLIPS APVD M.J. PHILLIPS	TE Connectivity	
DIMENSIONS: mm	TOLERANCES UNLESS OTHERWISE SPECIFIED: 0 PLC ±- 1 PLC ±- 2 PLC ±- 3 PLC ±- 4 PLC ±- ANGLES ±- FINISH -	10MAY2007 10MAY2007 10MAY2007	NAME 1X4 LIGHT PIPE ASSEMBLY SFP+	
MATERIAL	finish_spec_2	PRODUCT SPEC 108-2364	SIZE A2	CAGE CODE 100779
Customer Drawing		WEIGHT -	DRAWING NO C-2007099	RESTRICTED TO -
SCALE 4:1		SHEET 4 OF 6		REV A2

4

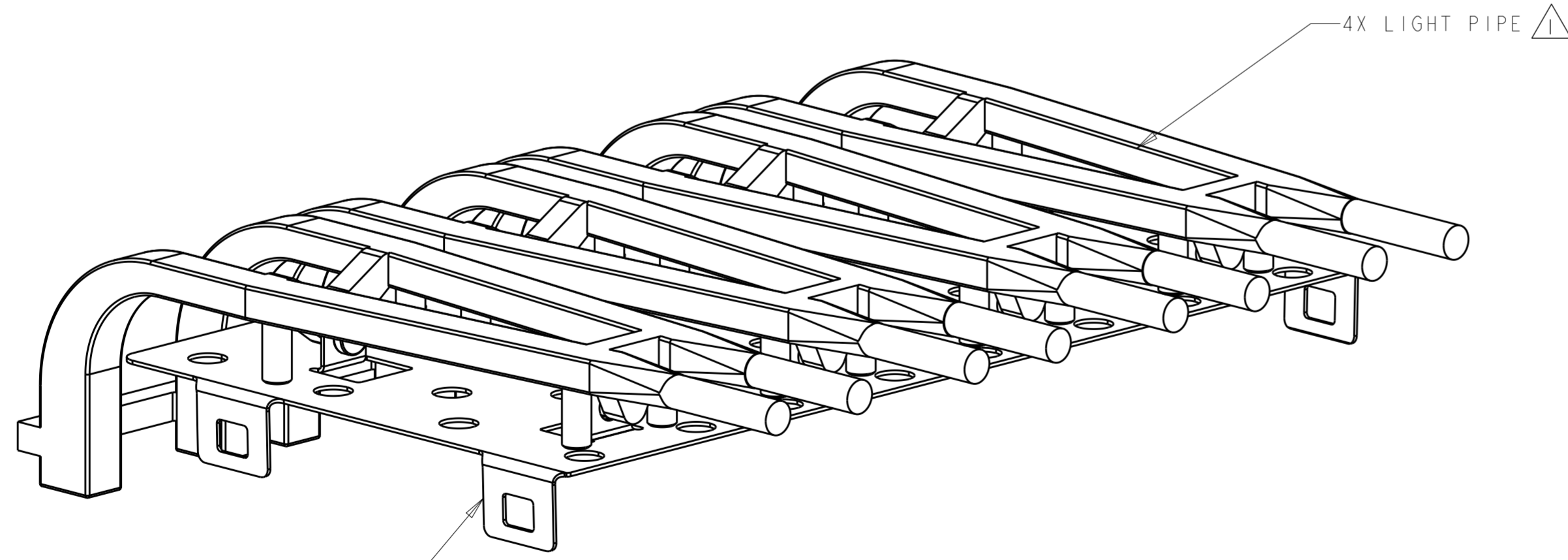
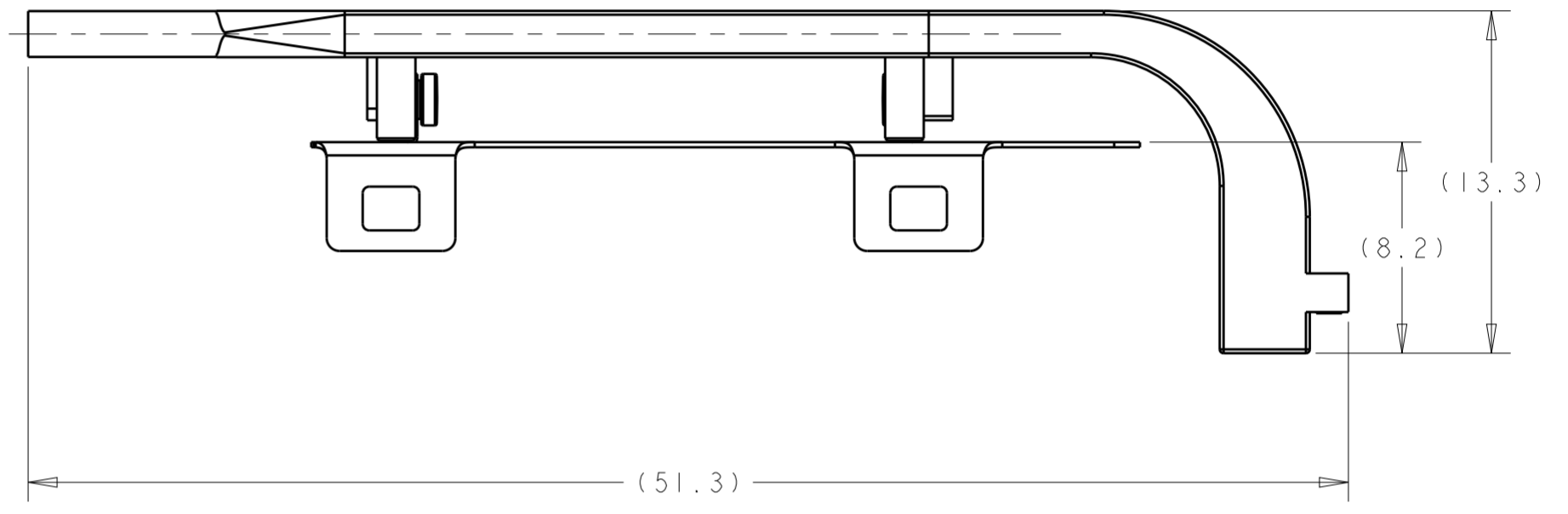
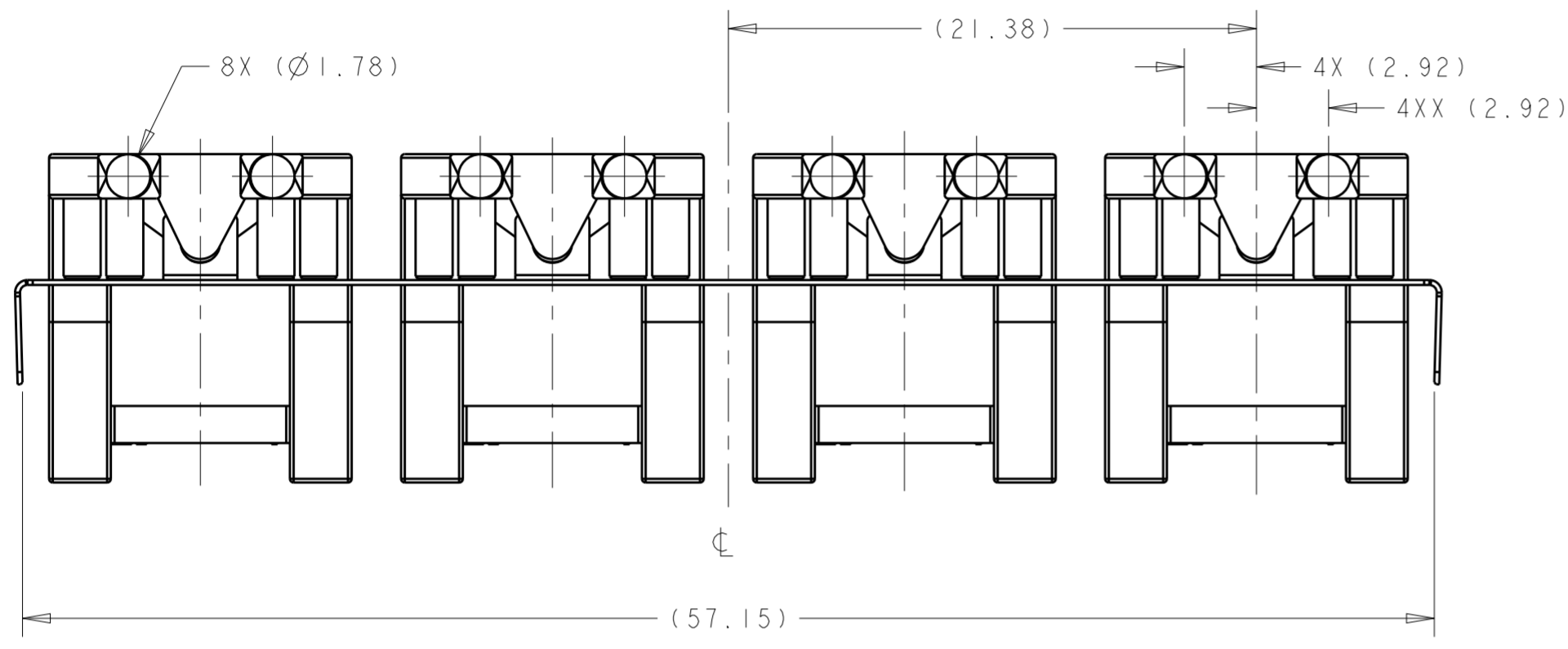
3

2

1

THIS DRAWING IS UNPUBLISHED. RELEASED FOR PUBLICATION
 © COPYRIGHT 20 BY - ALL RIGHTS RESERVED.

LOC	DIST	REVISIONS			
P	LTR	DESCRIPTION	DATE	DWN	APVD
-	-	SEE SHEET 1	-	-	-



1-2007099-0

1-2007099-0

PART NUMBER

THIS DRAWING IS A CONTROLLED DOCUMENT.		DWN M.F. COWHER CHK M.J. PHILLIPS APVD M.J. PHILLIPS	TE Connectivity	
DIMENSIONS: mm	TOLERANCES UNLESS OTHERWISE SPECIFIED:	PRODUCT SPEC 108-2364	NAME 1X4 LIGHT PIPE ASSEMBLY SFP+	
0 PLC ±-	1 PLC ±-	APPLICATION SPEC	SIZE	CAGE CODE
2 PLC ±-	3 PLC ±-	WEIGHT	A2	100779
4 PLC ±-	ANGLES ±-	Customer Drawing	DRAWING NO	G-2007099
FINISH	finish_spec_2	SCALE	4:1	SHEET
				5 OF 6
				REV A2

4

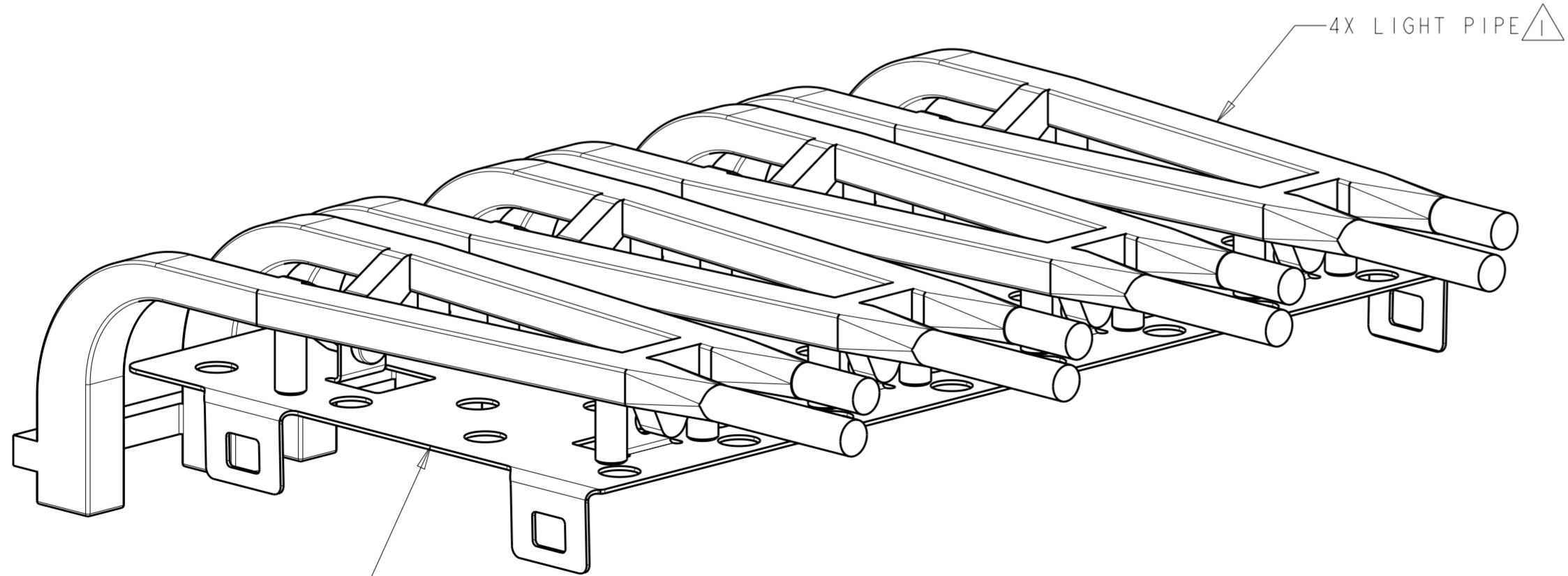
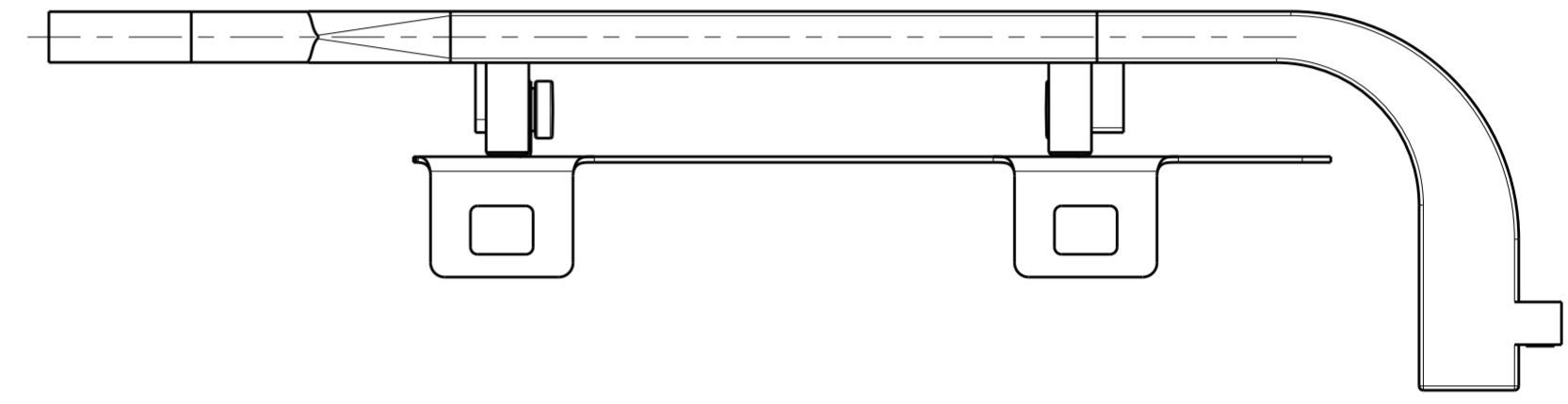
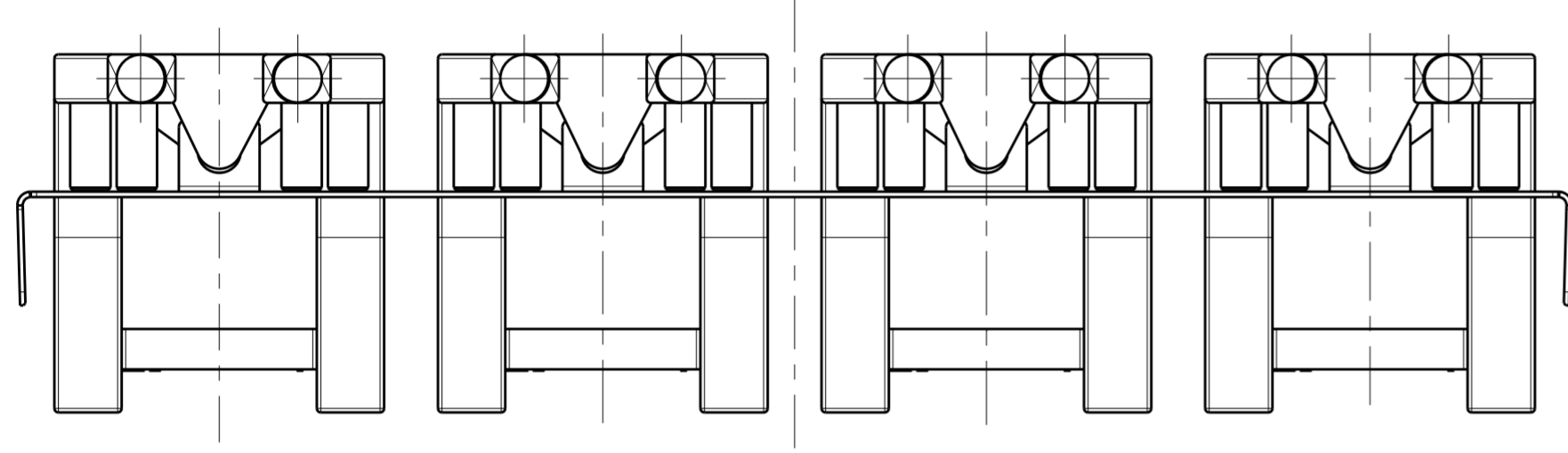
3

2

1


THIS DRAWING IS UNPUBLISHED. RELEASED FOR PUBLICATION
 © COPYRIGHT 20 BY - ALL RIGHTS RESERVED.

LOC		DIST		REVISIONS			
P	LTR	DESCRIPTION	DATE	DWN	APVD		
-	-	SEE SHEET 1	-	-	-		



2-2007099-1
 PART NUMBER

2-2007099-1

THIS DRAWING IS A CONTROLLED DOCUMENT.		DWN M.F. COWHER 10MAY2007	 TE Connectivity	
DIMENSIONS: mm		CHK M.J. PHILLIPS 10MAY2007		
TOLERANCES UNLESS OTHERWISE SPECIFIED:		APVD M.J. PHILLIPS 10MAY2007	NAME 1X4 LIGHT PIPE ASSEMBLY SFP+	
0 PLC ±-	1 PLC ±-	PRODUCT SPEC 108-2364	SIZE A2	CAGE CODE 100779
2 PLC ±-	3 PLC ±-	APPLICATION SPEC -	DRAWING NO C-2007099	RESTRICTED TO -
4 PLC ±-	ANGLES ±-	WEIGHT -	SCALE 4:1	SHEET 6 OF 6
MATERIAL material_2	FINISH finish_spec_2	Customer Drawing	REV A2	