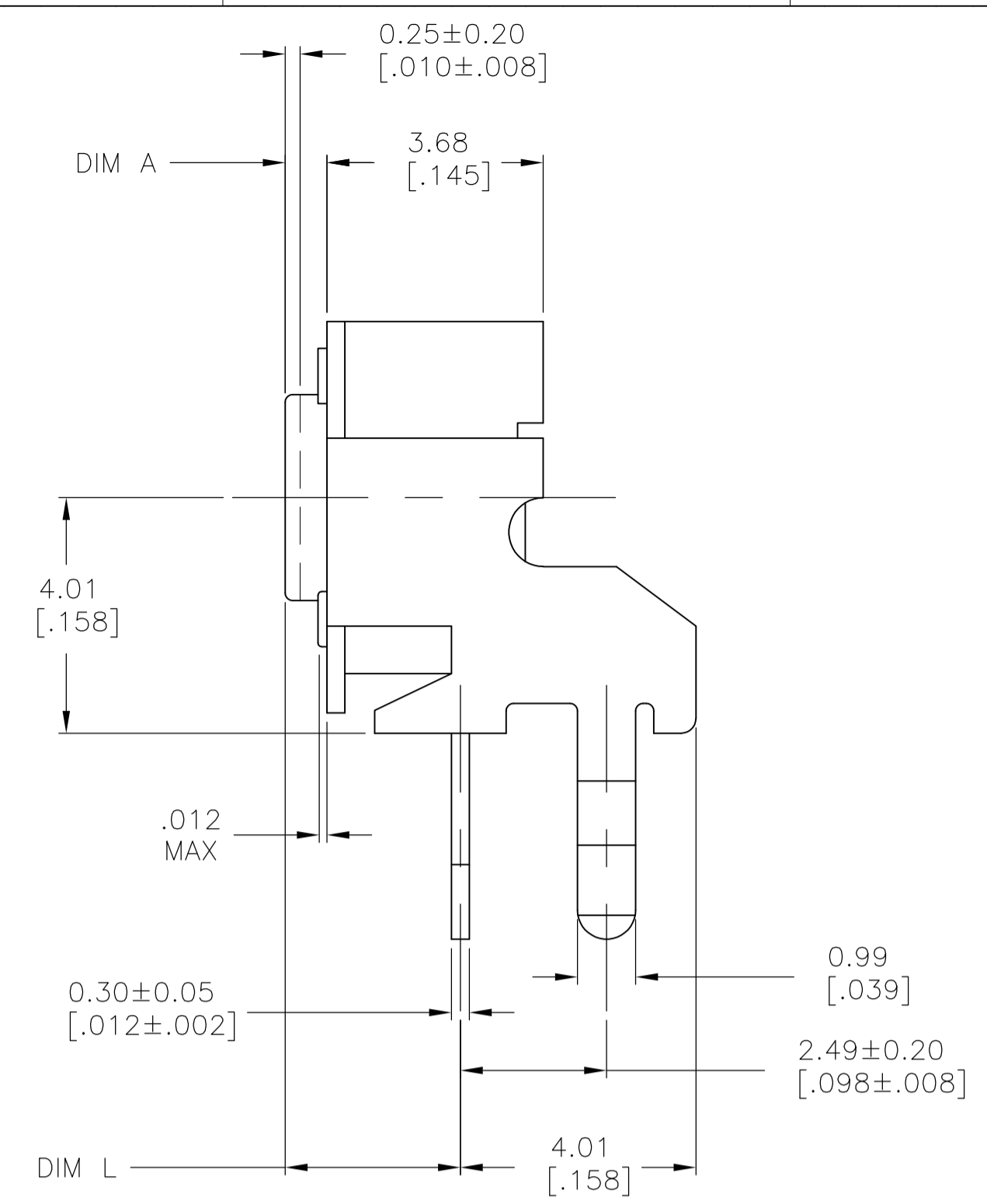
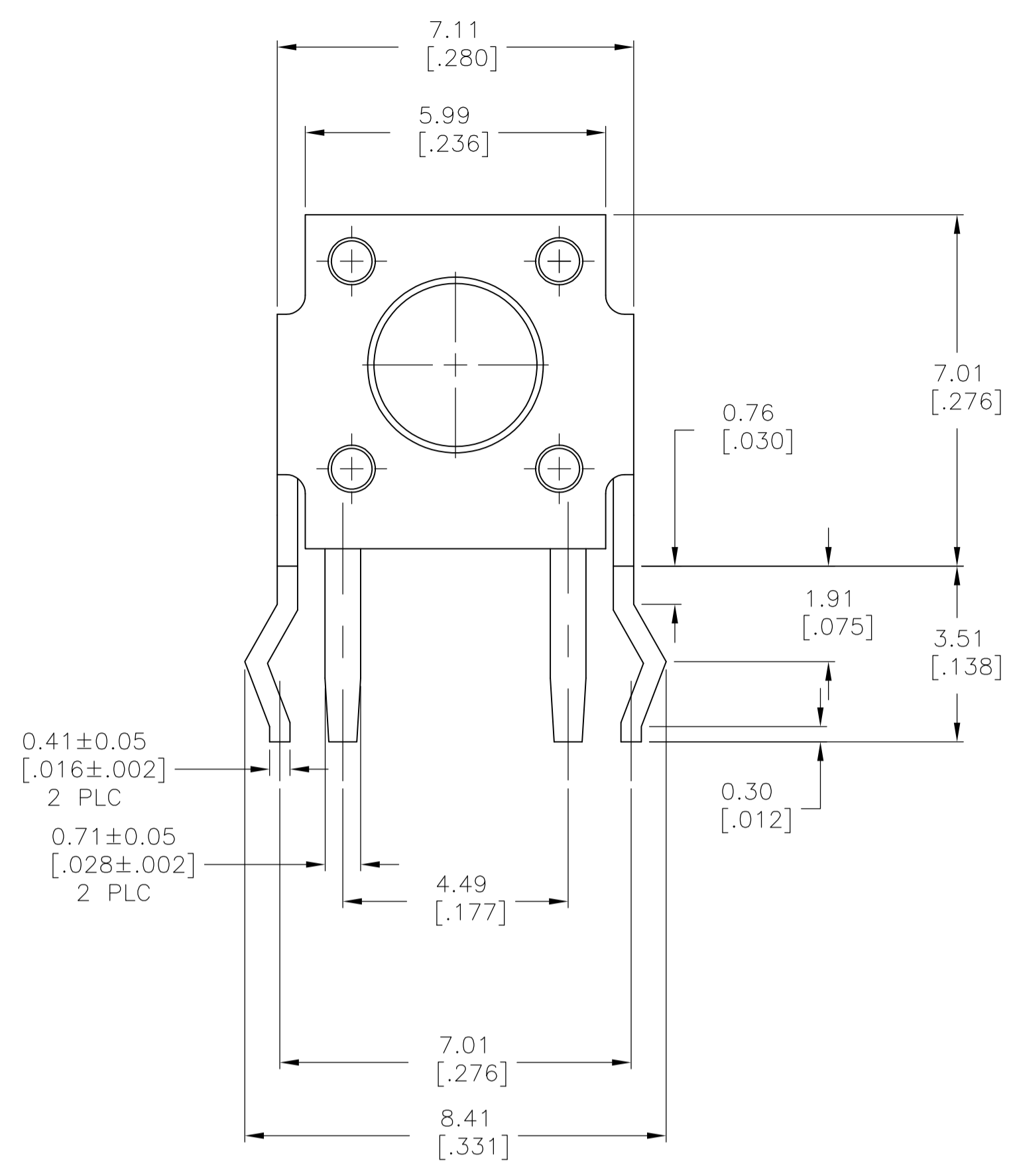


| REVISIONS | | | | | |
|-----------|-------------|---------------|-----------|-----|------|
| P | LTR | DESCRIPTION | DATE | DMN | APVD |
| B2 | REVISED PER | ECO-17-002273 | 10OCT2017 | RK | AS |



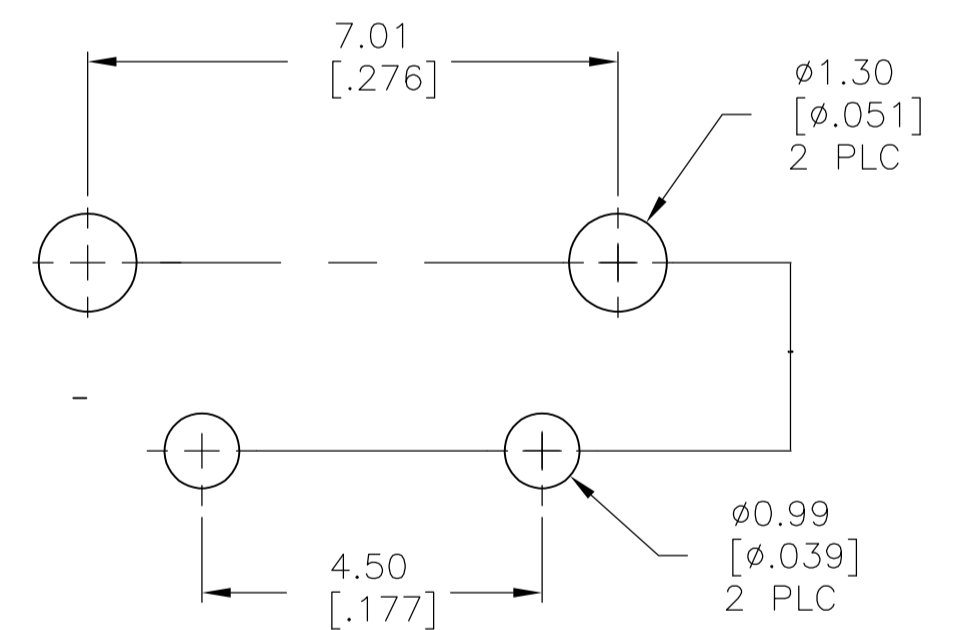
CASE: PPS, UL94V-0, BROWN
 FRAME/BACKET: STEEL, TIN OVER NICKEL
 ACTUATOR BUTTON: PPS OR PA6T (SEE TABLE), UL94V-0, COLOR SEE TABLE
 MOVING CONTACT: COPPER ALLOY, SILVER PLATE
 FIXED CONTACT/TERMINALS: COPPER ALLOY, SILVER OVER NICKEL PLATE

ELECTRICAL:
 MAX CONTACT RATING: 50MILLIAMPS@24V DC
 MIN CONTACT RATING: 10MICROAMPS@1V DC
 INITIAL CONTACT RESISTANCE: 50 MILLIOHMS MAX
 INSULATION RESISTANCE: 100 MEGOHMS @ 100 VDC MIN.
 DIELECTRIC STRENGTH: 500 VAC 50/60 Hz FOR 1 MINUTE
 LIFE EXPECTANCY: 100,000 CYCLES

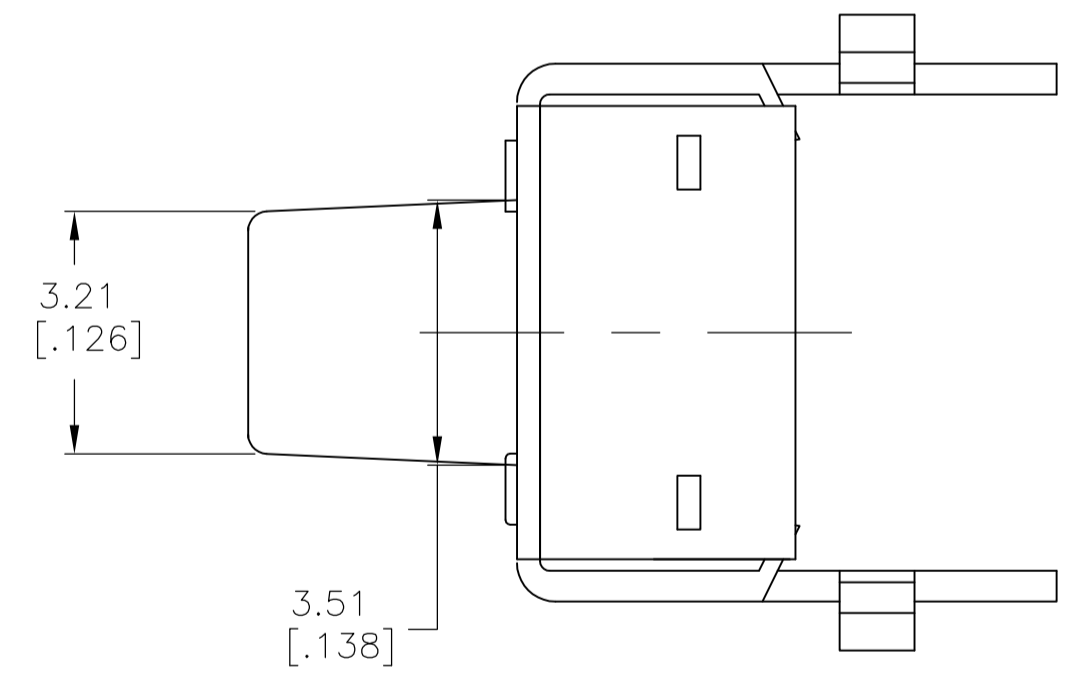
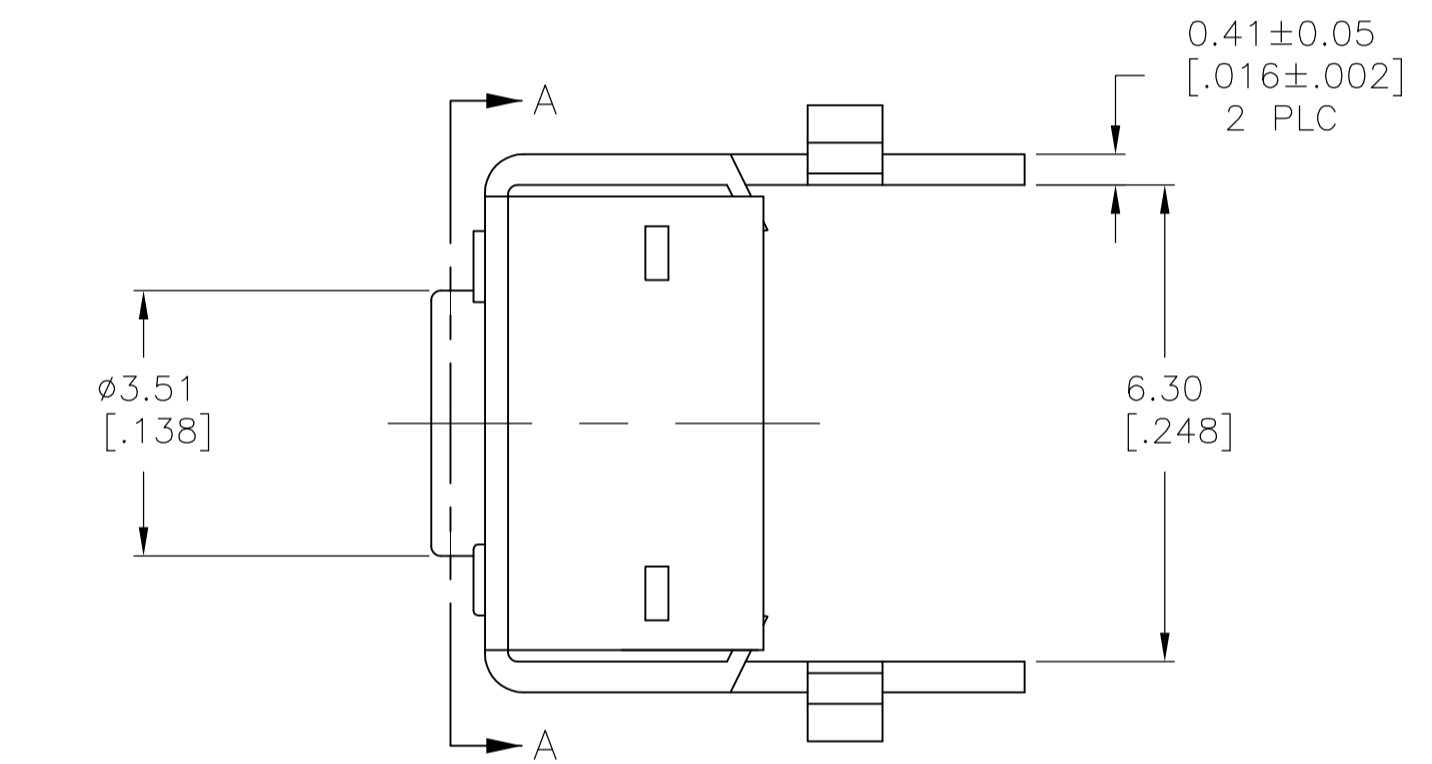
MECHANICAL:
 ACTUATION FORCE: SEE TABLE
 ACTUATION TRAVEL: .010±.008

ENVIRONMENTAL:
 OPERATING TEMPERATURE: -35°C TO +85°C
 STORAGE TEMPERATURE: -35°C TO +85°C
 SOLDER HEAT RESISTANCE PER 109-201 COND B
 SOLDERABILITY PER EIA-364-52 CLASS 1, CATEGORY 2

1 ALL MATERIALS AND FINISHES SHALL COMPLY WITH EH DIRECTIVE 2002/95/EC OF 27 JAN 2003 (ROHS)

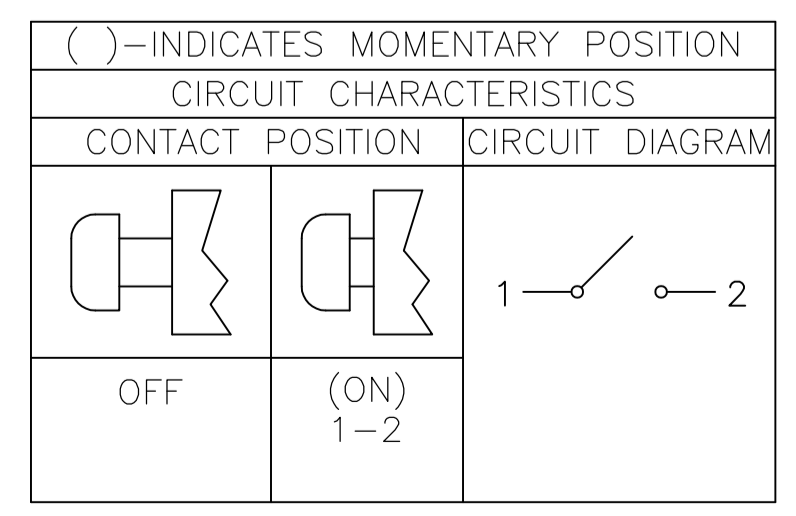


RECOMMENDED HOLE LAYOUT
 TOLERANCE ±.002 UNLESS OTHERWISE NOTED



FSMRA5J

| ACTUATOR MATL | ACTUATOR COLOR | ACTUATION FORCE | DIM L | DIM A | ALCO PIN | TE PIN |
|---------------|----------------|-----------------|--------------|--------------|--------------|------------------------|
| OBSOLETE | PA6T | WHITE | 260 +/-50 GF | 15.85 (.624) | 13.25 (.522) | FSMRA8JHXA 2-1977177-4 |
| | PPS | BLACK | 160 +/-50 GF | 15.85 (.624) | 13.25 (.522) | FSMRA8JHX 2-1977177-3 |
| | PPS | BROWN | 100 +/-30 GF | 15.85 (.624) | 13.25 (.522) | FSMRA8JHXL 2-1977177-2 |
| | PA6T | WHITE | 260 +/-50 GF | 11.85 (.467) | 9.24 (.364) | FSMRA7JHXA 2-1977177-1 |
| | PPS | BLACK | 160 +/-50 GF | 11.85 (.467) | 9.24 (.364) | FSMRA7JHX 2-1977177-0 |
| | PPS | BROWN | 100 +/-30 GF | 11.85 (.467) | 9.24 (.364) | FSMRA7JHXL 1-1977177-9 |
| OBSOLETE | PA6T | WHITE | 260 +/-50 GF | 6.85 (.270) | 4.24 (.167) | FSMRA6JHXA 1-1977177-8 |
| | PPS | BLACK | 160 +/-50 GF | 6.85 (.270) | 4.24 (.167) | FSMRA6JHX 1-1977177-7 |
| | PPS | BROWN | 100 +/-30 GF | 6.85 (.270) | 4.24 (.167) | FSMRA6JHXL 1-1977177-6 |
| OBSOLETE | PA6T | WHITE | 260 +/-50 GF | 6.15 (.242) | 3.55 (.140) | FSMRA5JHXA 1-1977177-5 |
| | PPS | BLACK | 160 +/-50 GF | 6.15 (.242) | 3.55 (.140) | FSMRA5JHX 1-1977177-4 |
| | PPS | BROWN | 100 +/-30 GF | 6.15 (.242) | 3.55 (.140) | FSMRA5JHXL 1-1977177-3 |
| OBSOLETE | PA6T | WHITE | 260 +/-50 GF | 8.35 (.329) | 5.74 (.226) | FSMRA4JHXA 1-1977177-2 |
| | PPS | BLACK | 160 +/-50 GF | 8.35 (.329) | 5.74 (.226) | FSMRA4JHX 1-1977177-1 |
| | PPS | BROWN | 100 +/-30 GF | 8.35 (.329) | 5.74 (.226) | FSMRA4JHXL 1-1977177-0 |
| OBSOLETE | PA6T | WHITE | 260 +/-50 GF | 5.85 (.230) | 3.25 (.128) | FSMRA3JHXA 1977177-9 |
| | PPS | BLACK | 160 +/-50 GF | 5.85 (.230) | 3.25 (.128) | FSMRA3JHX 1977177-8 |
| | PPS | BROWN | 100 +/-30 GF | 5.85 (.230) | 3.25 (.128) | FSMRA3JHXL 1977177-7 |
| OBSOLETE | PA6T | WHITE | 260 +/-50 GF | 3.86 (.152) | 1.24 (.049) | FSMRA2JHXA 1977177-6 |
| | PPS | BLACK | 160 +/-50 GF | 3.86 (.152) | 1.24 (.049) | FSMRA2JHX 1977177-5 |
| | PPS | BROWN | 100 +/-30 GF | 3.86 (.152) | 1.24 (.049) | FSMRA2JHXL 1977177-4 |
| OBSOLETE | PA6T | WHITE | 260 +/-50 GF | 3.15 (.124) | 0.56 (.022) | FSMRA1JHXA 1977177-3 |
| | PPS | BLACK | 160 +/-50 GF | 3.15 (.124) | 0.56 (.022) | FSMRA1JHX 1977177-2 |
| | PPS | BROWN | 100 +/-30 GF | 3.15 (.124) | 0.56 (.022) | FSMRA1JHXL 1977177-1 |



THIS DRAWING IS A CONTROLLED DOCUMENT. DIM M. BINNER 14AUG07. DIM C.W. 14AUG07. DIM M.SARVER 14AUG07. DIM M.SARVER 14AUG07. NAME: 6MM R/A TACT SWITCH ULTRA HIGH TEMPERATURE SERIES. SIZE: A1. CASE CODE: 00779. DRAWING NO: 1977177. RESTRICTED TO: CUSTOMER DRAWING. SCALE: 10:1. SHEET: 1 OF 1. REV: B2.