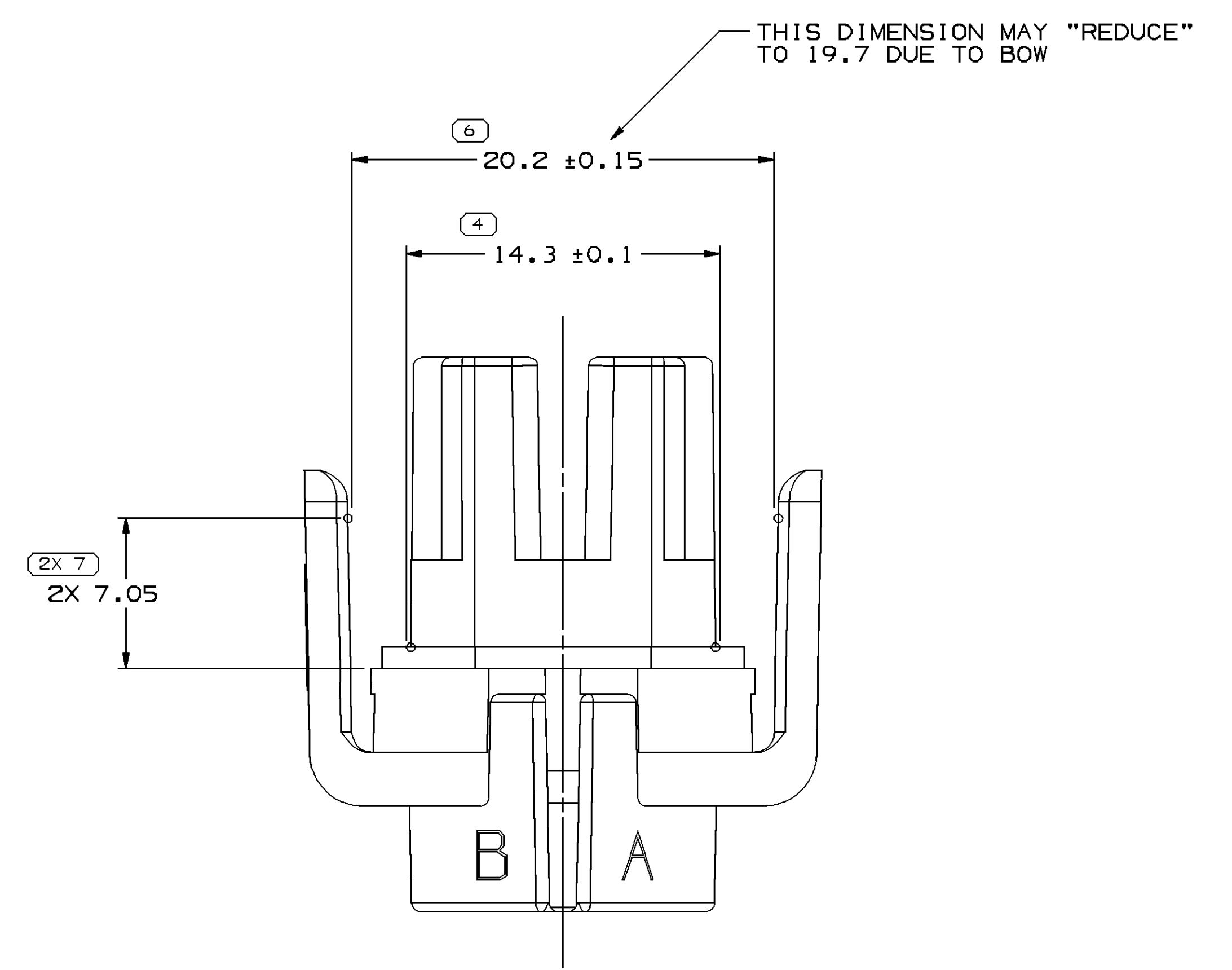
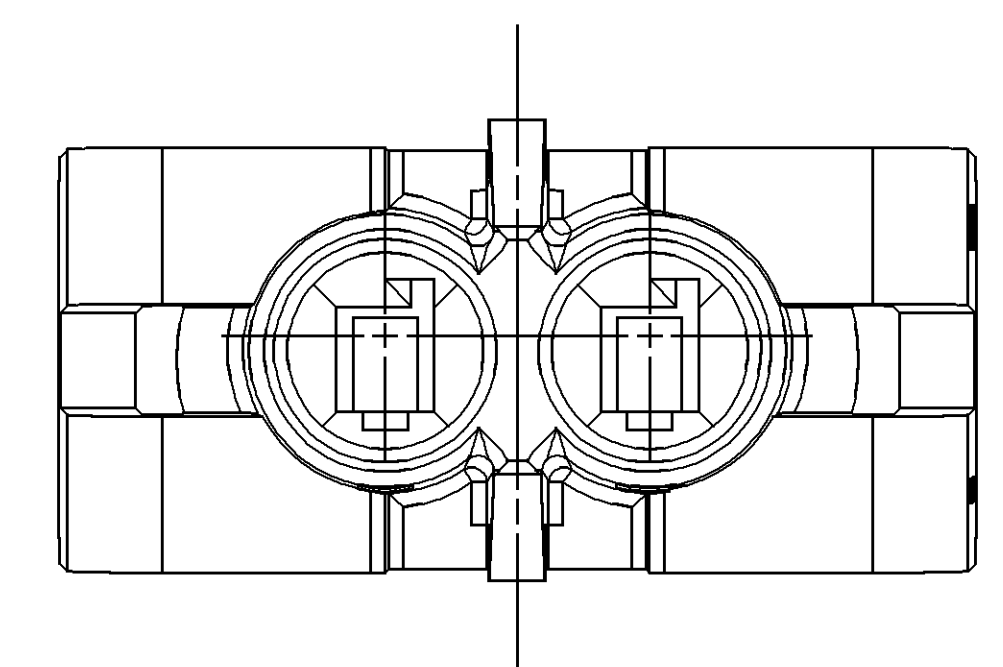
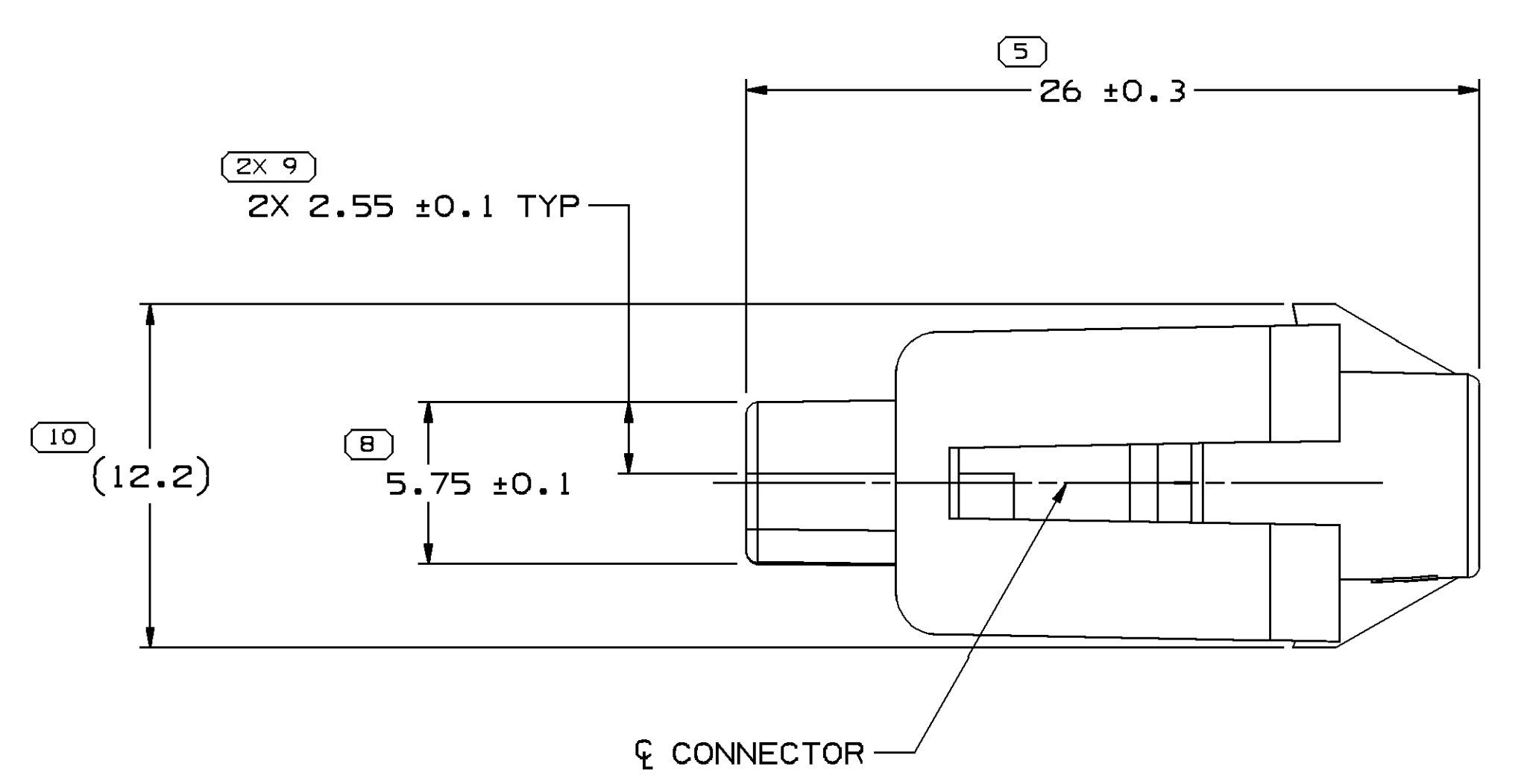
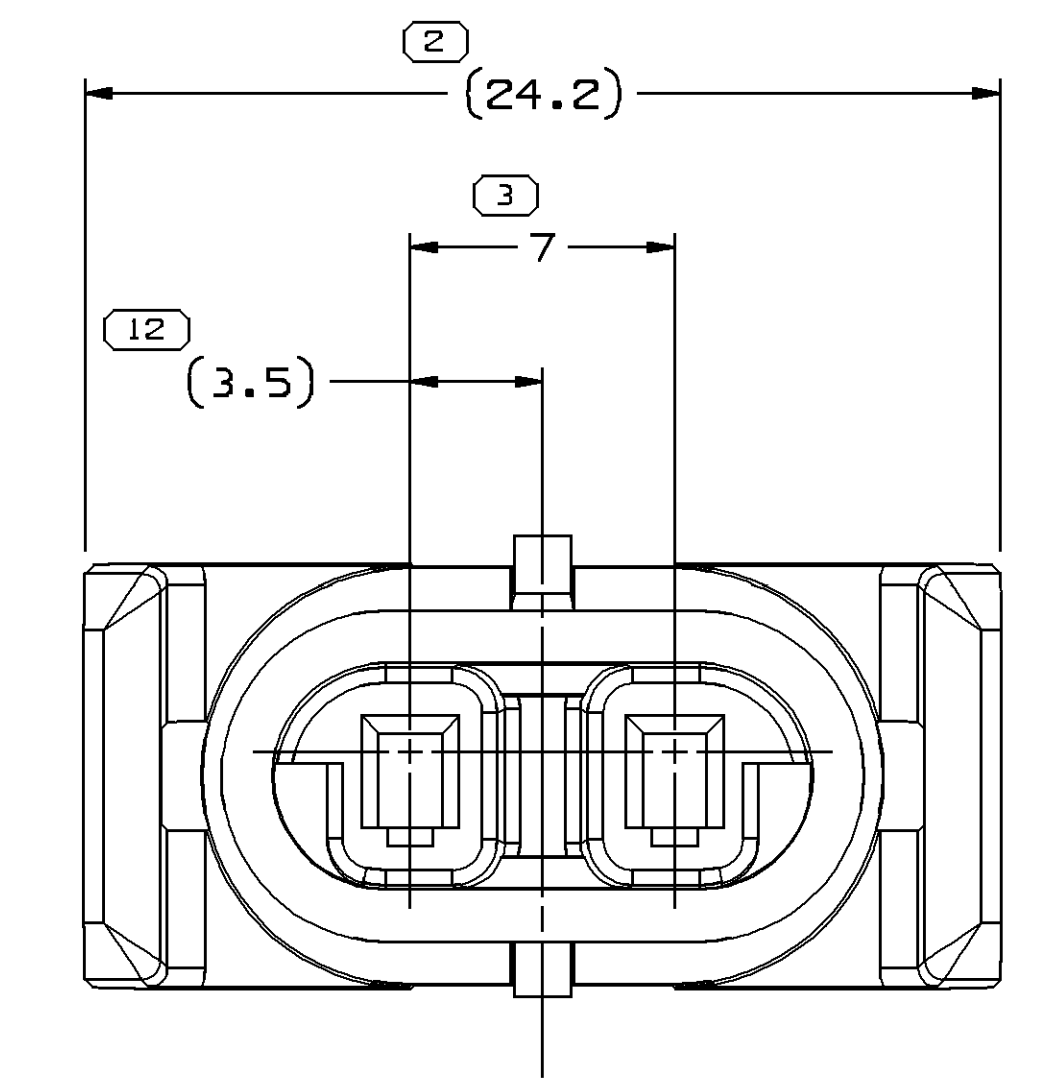
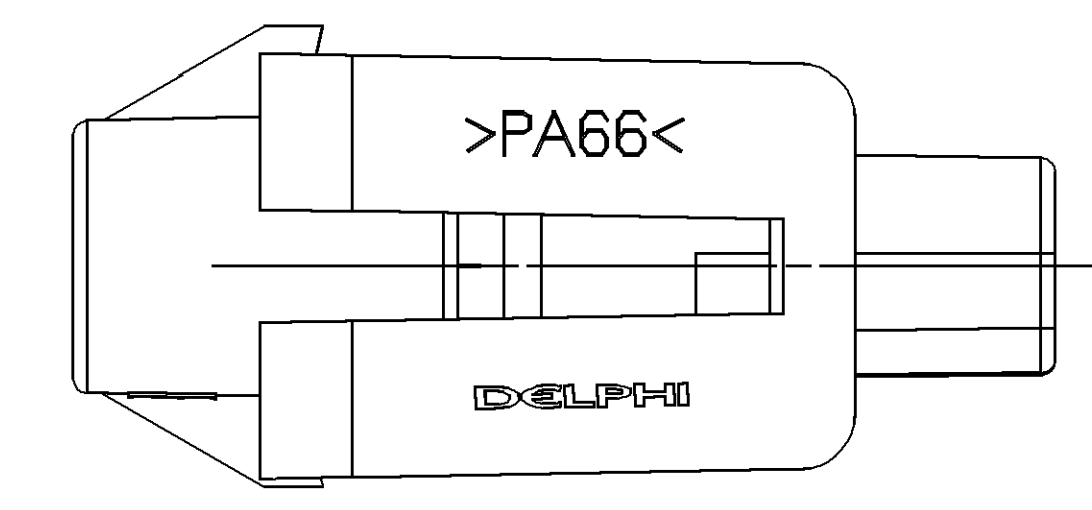
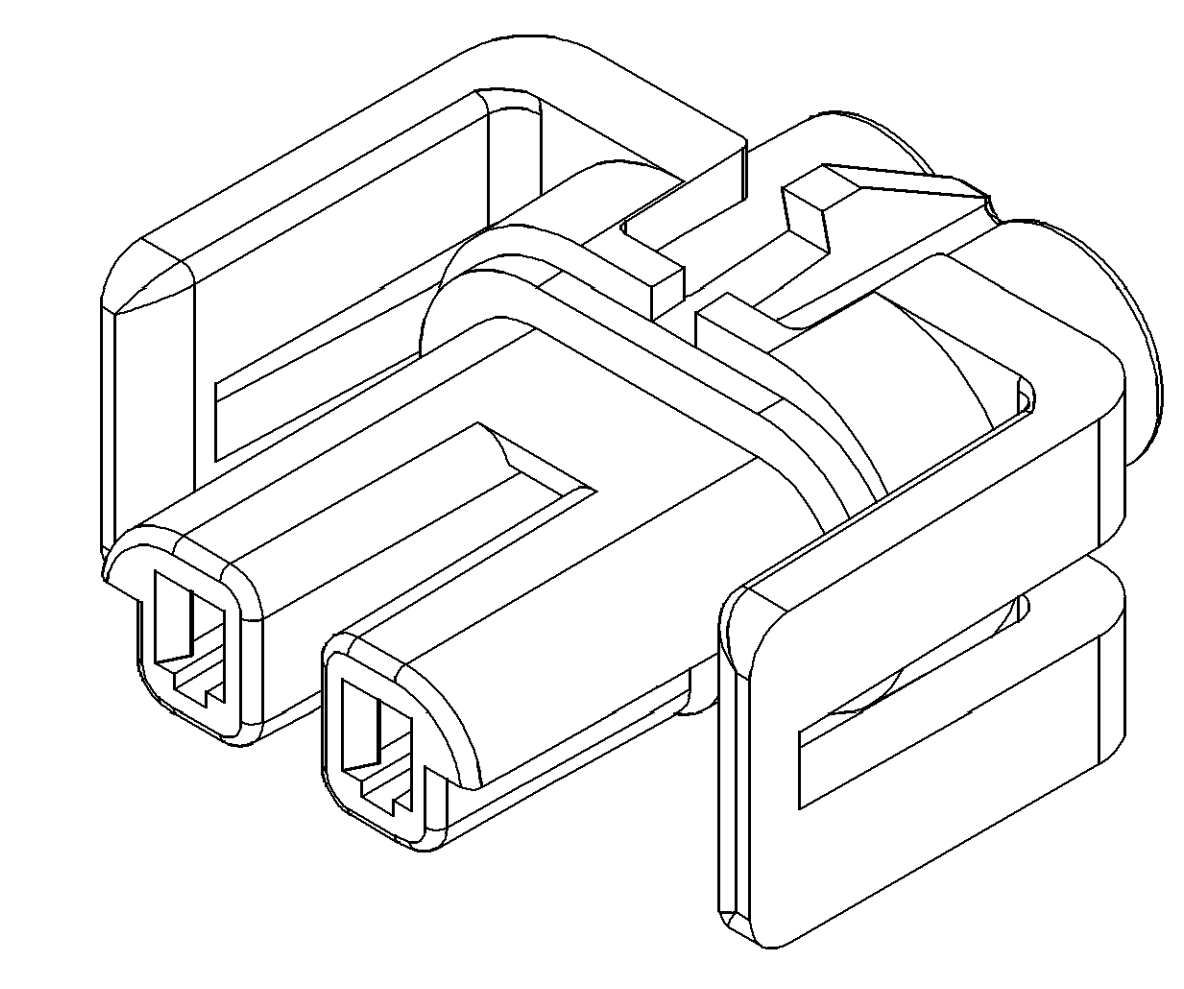
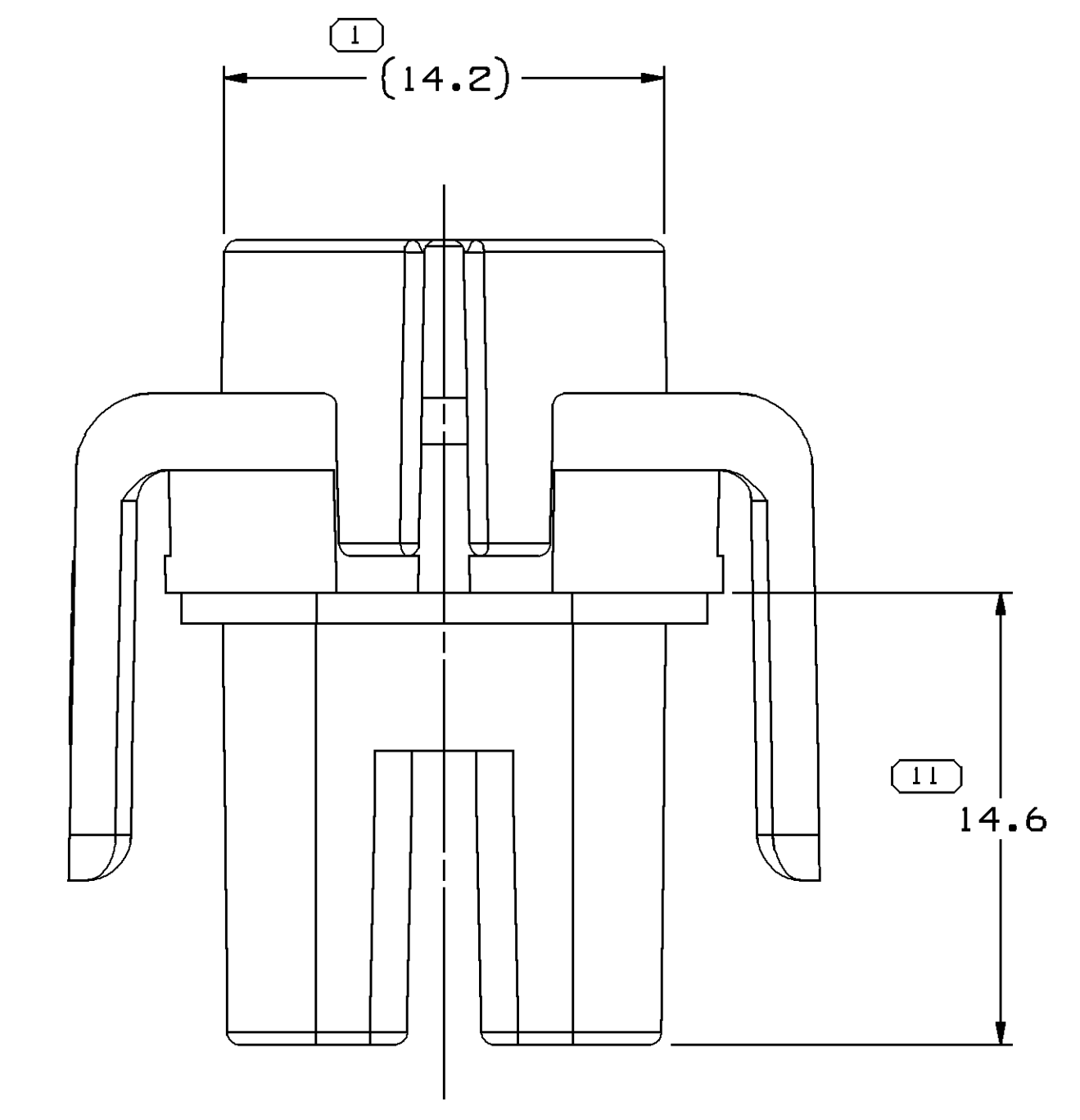


| SYMBOL DEFINITION  |  | TOTAL NO OF INSPECTIONS REQUIRED | 14 |
|--|--|----------------------------------|----|
| A DIMENSION WITHOUT AN INSPECTION REPORT SYMBOL DOES NOT REQUIRE INSPECTION. IT MAY BE CONTROLLED ON THE INDIVIDUAL COMPONENT DRAWING. |  | LAST NO. USED                    | 12 |

| DWG STATUS |     |     |     | MISSING SYMBOLS |      | REVISION HISTORY  |        | AUTH | DR  | AP/VD |
|------------|-----|-----|-----|-----------------|------|---|--------|------|-----|-------|
| DATE       | STG | REV | W/P | CHG             | ZONE |   |        |      |     |       |
| 10JAO1     | R   | A2  | -   | -               |      | REDRAWN TO PD   | 205425 | AM8  | PHC | JR    |
| 28MR03     | R   | A3  | -   | -               |      | ADDED DELPHI LOGO & MAT'L RECYCLING CODE NOTES & REVISED MAT'L SPEC | 237828 | HH   | JGR | AM    |
| 12JN03     | R   | A4  | -   | -               |      | DIM (12,2) WAS DIM (14,6)   | 242231 | JGR  | JGR | AM    |
| 15JN05     | R   | A5  | -   | -               |      | ADDED BOW NOTE TO DIM #6  | 269316 | AKJ  | AKJ | BDG   |
| 15JN06     | R   | A6  | -   | -               |      | REVISED LOCK ARMS TO MATCH TOOL                                     | 281496 | MM   | MM  | BS    |



- NOTES
- UNLESS OTHERWISE SPECIFIED AND/OR INDICATED:  
DIMENSIONS ARE TO FACE OF VIEW SHOWN AND AUTOMATICALLY ROUNDED BY COMPUTER FOR INSPECTION (SEE MATH MODEL FOR PRECISE DIMENSIONS). FOR ALL OTHER DIMENSIONS NOT SHOWN BUT REQUIRED FOR TOOL BUILD, SEE MATH MODEL FOR PRECISE TOOL PATH DATA.
  - THIS PART ACCEPTS THE FOLLOWING COMPONENTS OR EQUIVALENT:  
CAVITIES TO ACCEPT TERMINAL 12048074,  
CABLE SEAL 12048086  
TPA 12124824  
CONN SEAL 12066601
  - MATERIAL RECYCLING CODE >PA66< PER SAE J1344. (2.3)X(0.1) RAISED CHARACTERS AS SHOWN TO BE LOCATED ON ANY EXTERIOR SURFACE. OPTIONAL CONSTRUCTION TO BE NO MATERIAL RECYCLING CODE.
  - SEE CABLE SEAL AND TPA DRAWINGS FOR COMPATIBLE CABLE O.D. RANGE.
  - MATING PART-HARRISON V5 A/C COMPRESSOR CLUTCH COIL, OR EQUIVALENT.
  - (2.3)X(0.1) RAISED DELPHI CORPORATE BRAND TO BE LOCATED ON ANY EXTERIOR SURFACE. PREFERABLY VISIBLE AT FINAL ASSEMBLY. OPTIONAL CONSTRUCTION TO BE "PED" OR NO LOGO.
  - THIS PART DOES NOT HAVE A CPA FEATURE - USE IS RESTRICTED (SEE 12066603 ASM DWG).

|  |            |              |
|--|------------|--------------|
| DWG TYPE<br>PART DRAWING   |            |              |
| STYLE  | D          |              |
| VOLUME 10/1<br>2, 153  | DISTR CODE |              |
| UNLESS OTHERWISE SPECIFIED<br>THIS DOCUMENT IS IN ACCORDANCE WITH ASME Y14.5M-1994 AS MODIFIED BY THE IN CHARGE, DIMENSIONAL AND TOLERANCE PRACTICES. DIMENSIONS AND TOLERANCES ARE TO FACE UNLESS OTHERWISE SPECIFIED. DIMENSIONS NOT SHOWN BUT REQUIRED FOR TOOL BUILD ARE TO BE OBTAINED FROM THE MATH MODEL. DIMENSIONS NOT SHOWN BUT REQUIRED FOR TOOL BUILD ARE TO BE OBTAINED FROM THE MATH MODEL. DIMENSIONS NOT SHOWN BUT REQUIRED FOR TOOL BUILD ARE TO BE OBTAINED FROM THE MATH MODEL. |            |              |
| ALL DIMENSIONS ARE IN MILLIMETERS  |            |              |
| DIMENSIONAL RANGE (MM)   |            |              |
| FROM   | TO         | SHORT ET     |
| > 0  | > 30       | > 100        |
| 20   | 30         | 70           |
| 30   | 70         | 100          |
| 70   | 100        | 150          |
| 100  | 150        | 200          |
| 150  | 200        | 250          |
| 200  | 250        | 300          |
| 250  | 300        | 400          |
| TOLERANCE UNLESS OTHERWISE SPECIFIED   |            |              |
| ±0.15  | ±0.2       | ±0.3         |
| ±0.4   | ±0.5       | ±0.6         |
| ±0.8   | ±1         | ±1.2         |
| ANGULAR TOLERANCE 2°   |            |              |
| THIRD ANGLE PROJECTION   |            | DO NOT SCALE |
| USE MATH DATA  |            | UNIMAPHIS    |

**DELPHI**  
DELPHI PACKARD ELECTRIC SYSTEMS  
WARREN, OH

|                        |        |
|------------------------|--------|
| DR                     | DATE   |
| APV01 A. MENDEZ        | 10JAO1 |
| APV02 P. H. CASTRILLON | 12JAO1 |
| APV03 J. REIDER        | 01MY01 |
| APV04                  |        |
| APV05                  |        |

SUBSTANCES OF CONCERN AND RECYCLED CONTENT PER DELPHI 10949001

WATERLIL M3592025 PA66 HS 1M - GRA MD

DRAWING NAME  
CONN 2 F M/P 150 GRA MD SEALED

DRAWING NUMBER  
**12124823**

|      |       |          |          |     |     |     |
|------|-------|----------|----------|-----|-----|-----|
| SIZE | SCALE | FRAME NO | SHEET NO | STG | REV | W/P |
| A0   | 5:1   | 1 OF 1   | 1 OF 1   | R   | A6  | -   |