

THIS DRAWING IS UNPUBLISHED.

RELEASED FOR PUBLICATION

REVISIONS

ALL RIGHTS RESERVED.

© COPYRIGHT - By -

P	LTR	DESCRIPTION	DATE	DWN	APVD
	A1	ECR-16-002417	17FEB2016	AP	AP

TE P/N  
2829495-1

NOTES:

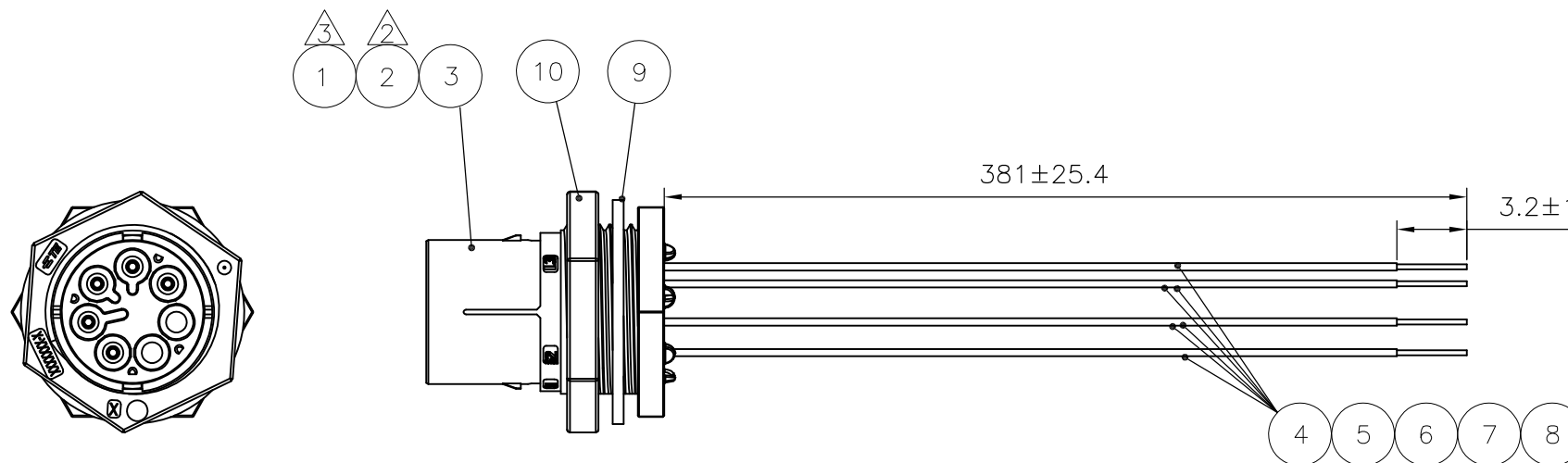
1 EACH ITEM AND ASSEMBLY MUST COMPLY WITH EUROPEAN REDUCTION OF HAZARDOUS SUBSTANCES (RoHS) REGULATION. UNDER DIRECTIVE 2011/65/EU .

2 DO NOT SOLDER CONTACT, CRIMP ONLY

3 IDENTIFY POSITION PE, LOADING POSITIONER PE TO SOCKET PE

4 PE CONTACT CIRCUIT IDENTIFIED BY EXTENDED LENGTH POLARIZED "KEY"

5 ELECTRICAL TEST:  
100% OPEN SHORT&MISS WIRE TEST  
CONTACT RESISTANCE: 2 OHM MAX



WIRE DIAGRAM

P1	COLOR
N	WHITE
L1	BLACK
PE	GREEN
L2 (NO PIN)	
S1	ORANGE
S2	BLUE
L3 (NO PIN)	

1	PC	PANEL NUT	10
1	PC	PANEL GASKET, SEALED NECTOR M	9
AR	M	WIRE, ELEC, 18 AWG, UL STYLE 1316/1452 ORANGE	8
AR	M	WIRE, ELEC, 18 AWG, UL STYLE 1316/1452 BLUE	7
AR	M	WIRE, ELEC, 18 AWG, UL STYLE 1316/1452 GREEN	6
AR	M	WIRE, ELEC, 18 AWG, UL STYLE 1316/1452 BLACK	5
AR	M	WIRE, ELEC, 18 AWG, UL STYLE 1316/1452 WHITE	4
1	PC	PIN HOUSING, PANEL, 5P, A CODE SEALED	3
5	PC	PIN, NECTOR-M, 16-18 AWG	2
1	PC	CONN, NECTOR-M, POSITIONER, 7P	1
QTY	UoM	DESCRIPTION	ITEM

THIS DRAWING IS A CONTROLLED DOCUMENT.

DWN T.BURZYŃSKI 15JUN2015  
CHK D.E.MCCLURE 15JUN2015  
APVD A.V.ZANDVOORT 15JUN2015

**STE** TE Connectivity

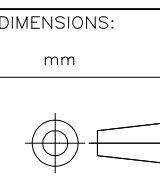
NAME: GTAIL 5 POS BULKHEAD PIN - STD UL CABLE SEALED

PRODUCT SPEC: -  
APPLICATION SPEC: -

SIZE: A3 CAGE CODE: 00779 DRAWING NO: C-2829495 RESTRICTED TO: -

WEIGHT: 0

CUSTOMER DRAWING SCALE: NTS SHEET: 1 OF 1 REV: A1



TOLERANCES UNLESS OTHERWISE SPECIFIED:

0 PLC	± -
1 PLC	± -
2 PLC	± -
3 PLC	± -
4 PLC	± -
ANGLES	± -
FINISH	-