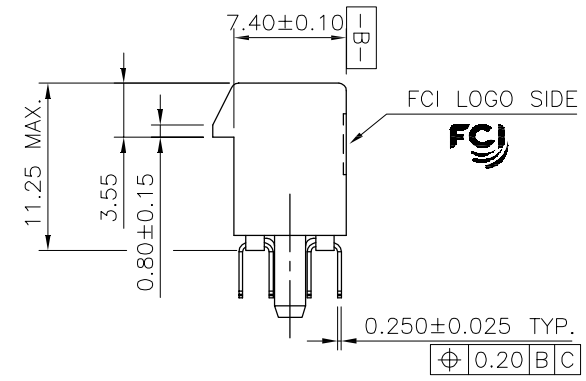
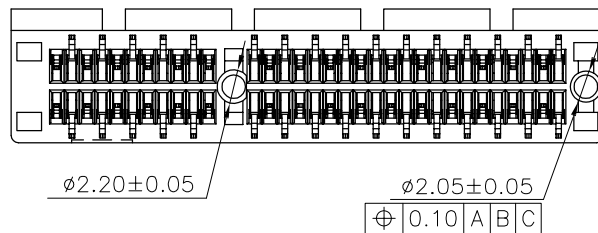
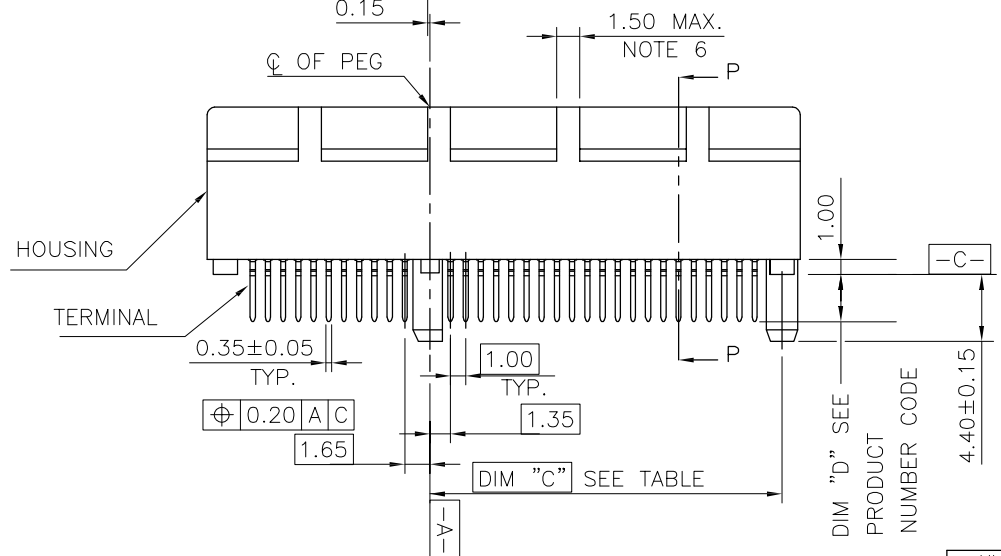


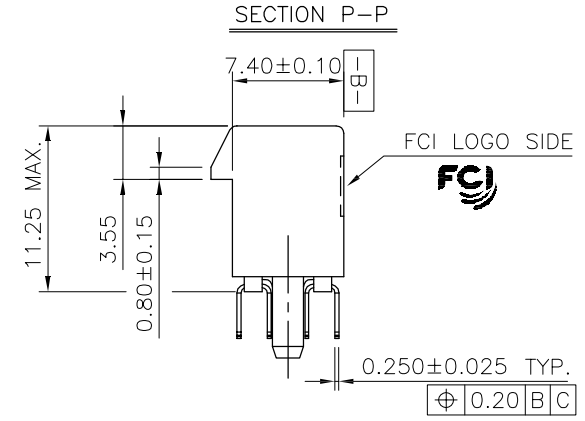
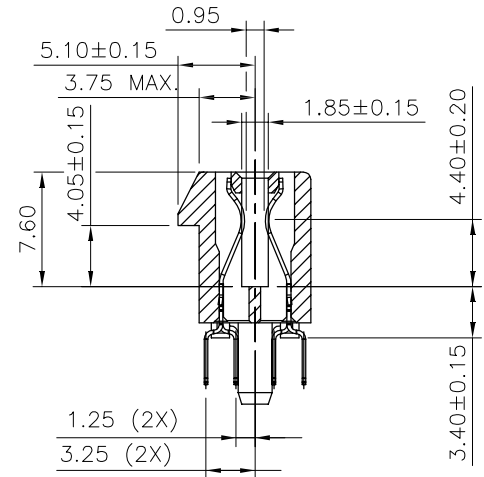
PRODUCT NO.
10108777-X0XXXX



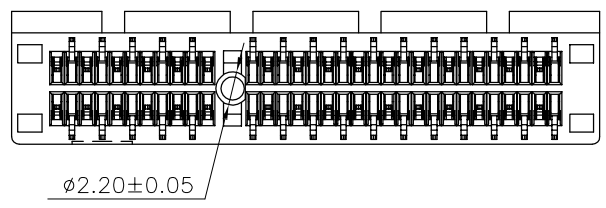
TWIN PLASTIC PEG TYPE

| | | | | | | | | | |
|-------------|---------------|----------|------|------------|---------------------------------------|------------|----------------------------|----------------|------------------|
| mat'l. code | | surface | | tolerance | | projection | | product family | |
| - | | - | | ASME_Y14.5 | | MM | | PCI_EXPRESS | |
| lfr | | ecn no | dr | date | tolerances unless otherwise specified | | title | | |
| C | DG-011582 | HT | | 5/10/12 | .02±0.30 | | PCI_EXPRESS_CARD_EDGE_GEN3 | | |
| D | ELX-DG-013209 | WL | | 07/24/12 | .00±0.20 | | TH_ASS'Y | | |
| E | ELX-DG-2181-1 | ST | | 05/27/15 | ±2' | | scale N/A | | |
| F | ELX-DG-24164 | ZH | dr | 05/30/16 | ZHENHUA_LIU | 2016-03-30 | dwg no | | sheet 1 of 7 |
| G | ELX-DG-25671 | ZH | enfr | 12/18/16 | ZHENHUA_LIU | 2016-03-30 | 10108777 | | A4 |
| H | ELX-DG-27937 | ZH | chr | 09/12/17 | STONE_LI | 2016-03-30 | type | | CUSTOMER Drawing |
| sheet index | | revision | H | appd | | PM_ZHENG | 2016-03-30 | | |

PRODUCT NO.
10108777-X2XXXX

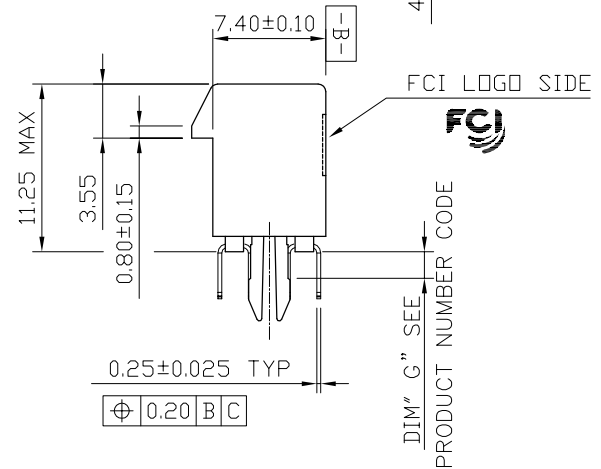
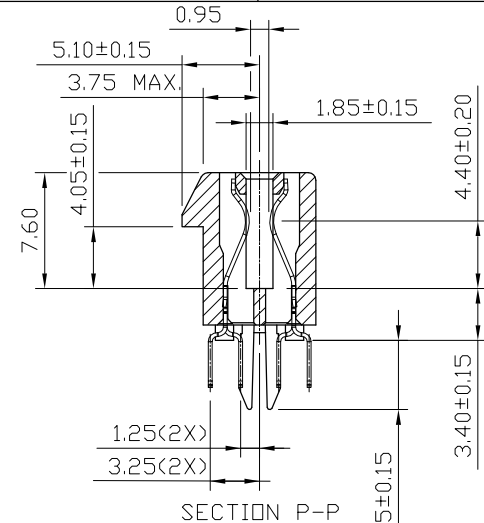
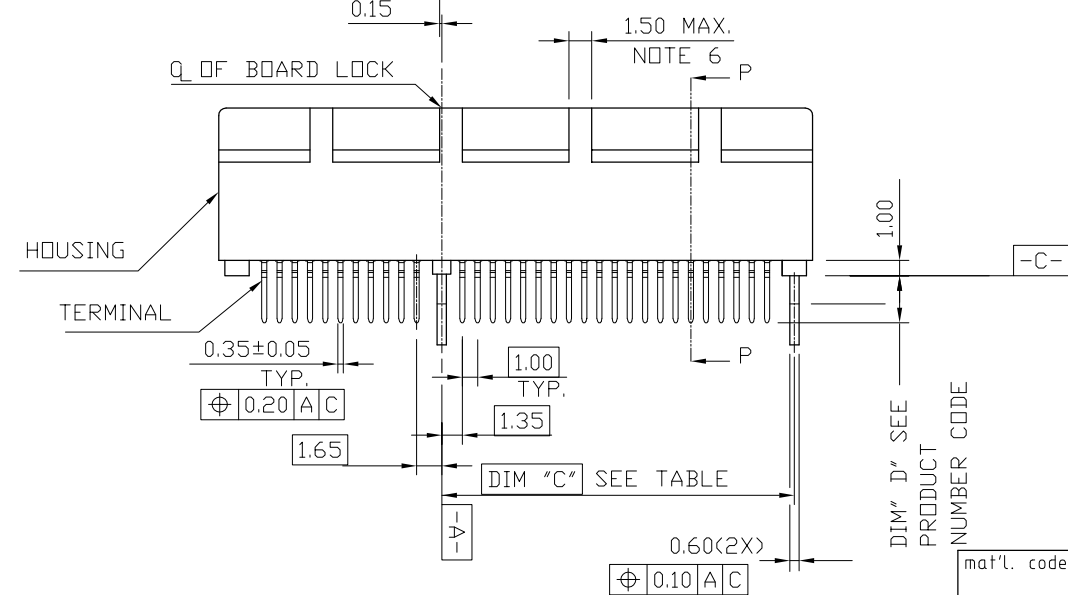
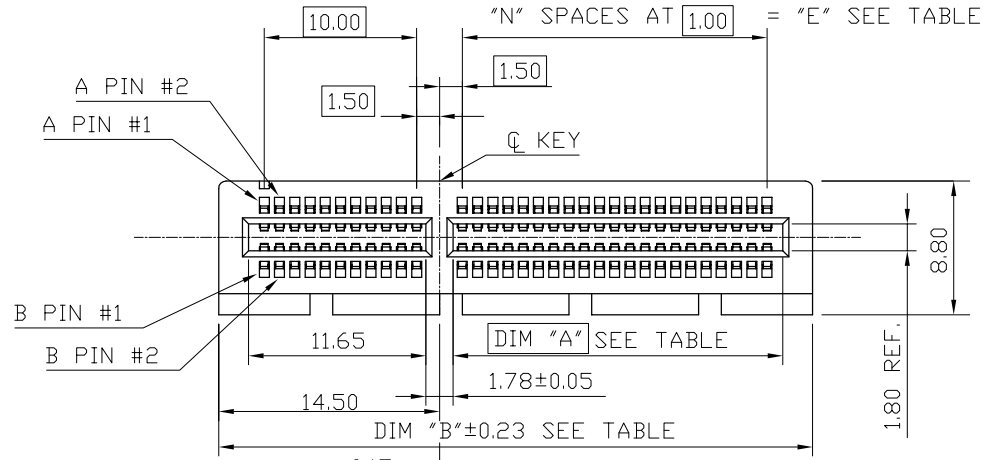


SINGLE PLASTIC PEG TYPE



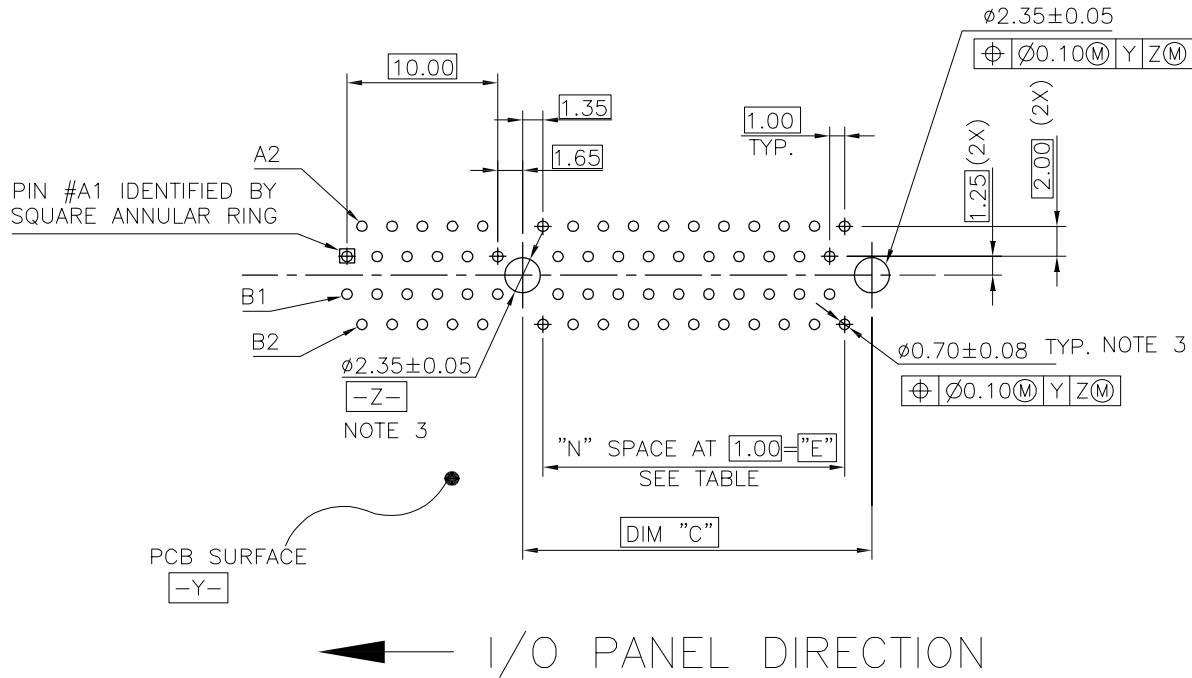
| | | | | | | | | | | |
|-------------|----------------|----|------|---------------------------------------|-------------|------------|------------|-----------------|-------------------------------------|-------------|
| mat'l. code | | - | | surface | - | tolerance | ASME_Y14.5 | projection | product family | PCI_EXPRESS |
| lfr | ecn no | dr | date | tolerances unless otherwise specified | | | | title | PCI_EXPRESS_CARD_EDGE_GEN3_TH_ASS'Y | |
| | | | | angles | LineGr | .02±0.30 | | MM | sheet 2 of 7 | |
| | | | | ±2' | | .00±0.20 | | scale N/A | size | |
| | | | | dr | ZHENHUA_LIU | 2016-03-30 | | Amphenol FCI | 10108777 | |
| | | | | enfr | ZHENHUA_LIU | 2016-03-30 | | | A4 | |
| | | | | chr | STONE_LI | 2016-03-30 | | | CUSTOMER Drawing | |
| | | | | appd | PM_ZHENG | 2016-03-30 | | | | |
| sheet index | revision sheet | H | | | | | | | | |

PRODUCT NO.
10108777-X1XXXX



METAL BOARD LOCKS

| | | | | | | | | | | | |
|-------------|----------------|----|------|---------------------------------------|-------------|------------|--------------|------------|-------------------|-------------------------------------|-------------|
| mat'l. code | | - | | surface | - | tolerance | ASME_Y14.5 | projection | product family | | PCI_EXPRESS |
| lfr | ecn no | dr | date | tolerances unless otherwise specified | | | | title | | PCI_EXPRESS_CARD_EDGE_GEN3 TH_ASS'Y | |
| | | | | angles | LineG | .02±0.30 | MM | | dwg no | | |
| | | | | ±2' | | .00±0.20 | scale N/A | | sheet 3 of 7 size | | |
| | | | | dr | ZHENHUA_LIU | 2016-03-30 | Amphenol FCI | | 10108777 A4 | | |
| | | | | enfr | ZHENHUA_LIU | 2016-03-30 | | | type | | |
| | | | | chr | STONE_LI | 2016-03-30 | | | CUSTOMER Drawing | | |
| | | | | appd | PM_ZHENG | 2016-03-30 | | | | | |
| sheet index | revision sheet | H | | | | | | | | | |



RECOMMENDED FOOTPRINT

| | | | | | | | | | | | |
|-------------|----------------|----|------|---------------------------------------|-------------|------------|------------|-----------------|----------------------------|-------------|-------------------|
| mat'l. code | | - | | surface | - | tolerance | ASME_Y14.5 | projection | product family | PCI_EXPRESS | |
| lfr | ecn no | dr | date | tolerances unless otherwise specified | | | | MM | title | | |
| | | | | angles | linear | .02±0.20 | | | PCI_EXPRESS_CARD_EDGE_GEN3 | | |
| | | | | ±2' | linear | .00±0.13 | | scale N/A | TH_ASS'Y | | |
| | | | | dr | ZHENHUA_LIU | 2016-03-30 | | Amphenol FCI | dwg no | | sheet 4 of 7 size |
| | | | | enfr | ZHENHUA_LIU | 2016-03-30 | | | 10108777 | | A4 |
| | | | | chr | STONE_LI | 2016-03-30 | | | type | | CUSTOMER Drawing |
| | | | | appd | PM_ZHENG | 2016-03-30 | | | | | |
| sheet index | revision sheet | H | | | | | | | | | |



SCALE 2:1

← I/O PANEL DIRECTION
PRIMARY (COMPONENT) SIDE



I/O PANEL DIRECTION →
SECONDARY (SOLDER) SIDE

PIN "F" SEE TABLE 2.40±0.10 NOTE 4

PIN "F" SEE TABLE 2.40±0.10 NOTE 4

| # | POS REF. | N | DIM "G" | "F" |
|-----|----------|----|---------|-----|
| 36 | | 6 | 8.15 | B17 |
| 64 | | 20 | 22.15 | B31 |
| 98 | | 37 | 39.15 | B48 |
| 164 | | 70 | 72.15 | B81 |

ADD-IN CARD EDGE-FINGER DIMENSIONS

| | | | | | | | | | |
|-------------|--|----------------|--|------------|--|------------|--|---------------------------------------|--|
| mat'l. code | | surface | | tolerance | | projection | | product family | |
| - | | - | | ASME_Y14.5 | | | | PCI_EXPRESS | |
| lfr | | ecn no | | dr | | date | | tolerances unless otherwise specified | |
| | | | | | | | | | |
| | | | | | | | | title | |
| | | | | | | | | PCI_EXPRESS_CARD_EDGE_GEN3 | |
| | | | | | | | | TH_ASS'Y | |
| | | | | | | | | scale N/A | |
| | | | | | | | | dwg no | |
| | | | | | | | | sheet 5 of 7 | |
| | | | | | | | | size | |
| | | | | | | | | A4 | |
| | | | | | | | | type | |
| | | | | | | | | CUSTOMER Drawing | |
| sheet index | | revision sheet | | H | | | | | |
| | | | | | | | | | |

NOTES:

1.MATERIAL:

HOUSING: HIGH TEMPERATURE NYLON, GLASS FILLED UL94V-0 RATED.
TERMINAL: COPPER ALLOY.

PLATING: 50u" NICKEL UNDERPLATE ALL OVER
CONTACT AREA PLATING - SEE PRODUCT NUMBER CODE
SOLDER TAIL: TIN OR TIN /LEAD(90/10)- SEE PRODUCT NUMBER CODE 100u" MIN. OVER 50u" NICKEL.

METAL BOARD LOCKS: COPPER ALLOY.
FINISH: 100u" TIN OR TIN/LEAD(90/10) OVER 50u" NICKEL
UNDERPLATE SEE PRODUCT NUMBER CODE.

2.PRODUCT SPECIFICATION: GS-12-233.

③THE HORIZONTAL AXIS FOR THE HOLE PATTERN IS ESTABLISHED BY

A LINE THROUGH THE CENTER OF THE TWO Ø2.35 HOLES.
THE VERTICAL AXIS IS 90° TO THE HORIZONTAL AXIS, THROUGH THE CENTER OF DATUM Z.

④NO TIE BAR PERMITTED FROM CARD EDGE TO LEADING EDGE OF PAD FOR PINS A1 AND PIN NUMBERS "F".

⑤CHAMFER EDGES MUST BE FREE OF CUTTING BURRS.

⑥FREQUENCY & LOCATION AT SUPPLIER DISCRETION. RIDGE MAY BE CONTINUOUS WITH NO BREAKS.

7.RoHS COMPATIBLE PRODUCT SPECIFICATIONS:

a - PLATING:

- "LF" MEANS THE PRODUCT IS LEAD-FREE, 2um MINIMUM MATTE TIN OVER 1.27um MINIMUM NICKEL UNDERPLATE.

b - MANUFACTURING PROCESS COMPATIBILITY:

- THE HOUSING WILL WITHSTAND EXPOSURE TO 260°C±5°C TEMPERATURE FOR 10 SECONDS IN RE-FLOW APPLICATION, SEE NOTE 8 FOR APPLICATION.

PRODUCT NUMBER CODE

10108777 -X X X X X X □ □

HOUSING COLOR OPTIONS

- 0-NATURAL
- 1-BLACK

PEGS OPTIONS

- 0-PLASTIC PEGS, DIM
- 1-METAL BOARD LOCKS
- 2-SINGLE PLASTIC PEGS

TERMINAL PLATING OPTIONS

- 0-50u" Ni UNDERPLATE
30u" Au CONTACT AREA
100u" TIN TAIL AREA ----- COMPATIBLE RoHS
- 1-50u" Ni UNDERPLATE
15u" Au CONTACT AREA
100u" TIN TAIL AREA ----- COMPATIBLE RoHS
- 2-50u" Ni UNDERPLATE
GOLD FLASH CONTACT AREA
100u" TIN TAIL AREA ----- COMPATIBLE RoHS
- 3-50u" Ni UNDERPLATE
30u" Au CONTACT AREA
100u" TIN/LEAD TAIL AREA ---INCOMPLIANT RoHS
- 4-50u" Ni UNDERPLATE
15u" Au CONTACT AREA
100u" TIN/LEAD TAIL AREA ---INCOMPLIANT RoHS
- 5-50u" Ni UNDERPLATE
GOLD FLASH CONTACT AREA
100u" TIN/LEAD TAIL AREA ---INCOMPLIANT RoHS

LEAD FREE OPTION

LEAVE BLANK FOR TERMINAL PLATING 3.4.5
"LF" FOR TERMINAL PLATING OPTION 0,1,2

POS OPTIONS

- 0-36
- 1-64
- 2-98
- 3-164

TAIL LENGTH OPTIONS

| | DIM "D" | PCB THICKNESS | DIM "G" |
|---|--|---------------|-----------|
| 0 | 2.30 ^{+0.25} / _{-0.13} | 1.56±0.10 | 1.70±0.15 |
| 1 | 3.10 ^{+0.25} / _{-0.13} | 2.36±0.10 | 2.50±0.15 |
| 2 | 2.54±0.25 | 1.56±0.10 | 1.70±0.15 |
| 3 | 1.90±0.25 | 1.56±0.10 | 1.70±0.15 |
| 4 | 3.10 ^{+0.25} / _{-0.13} | 2.0±0.10 | 1.70±0.15 |

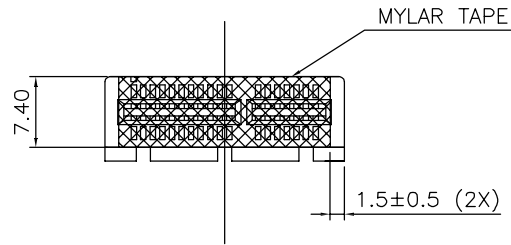
| CONNECTOR | # POS REF. | N | DIM "A" | DIM "B" | DIM "C" | "E" |
|-----------|------------|----|---------|---------|---------|-------|
| 1 PORT | 36 | 6 | 7.65 | 25.00 | 9.15 | 6.00 |
| 4 PORT | 64 | 20 | 21.65 | 39.00 | 23.15 | 20.00 |
| 8 PORT | 98 | 37 | 38.65 | 56.00 | 40.15 | 37.00 |
| 16 PORT | 164 | 70 | 71.65 | 89.00 | 73.15 | 70.00 |

- 8.AN ADEQUATE PROCEDURE SET FORTH IN THE FOLLOWING ENSURE THAT THE PRODUCT RELIABILITY CAN BE ACHIEVED DURING AND AFTER PCB ASSEMBLY OPERATION.
- 8.1IF PARTIAL LOT ARE USED, THE REMAINING CONNECTORS MUST BE RESEALED AND PLACED IN SAFE STORAGE WITHIN SIX HOURS OF BAG OPENING.
- 8.2THE SAFE STORAGE CONDITION IS RECOMMENDED AT 25°C, 40%RH.
- 8.3NOT FOLLOWING THE PROCEDURE MAY CAUSE BLISTER DAMAGE DURING RE-FLOW PROCESS.
- 8.4IF BAKING IS REQUIRED, CONNECTOR SHALL BE BAKED FOR 4 HOURS AT 125°C.
- 8.5REFERENCE SPECIFICATION: IPC/JEDEC J-STD-033A.

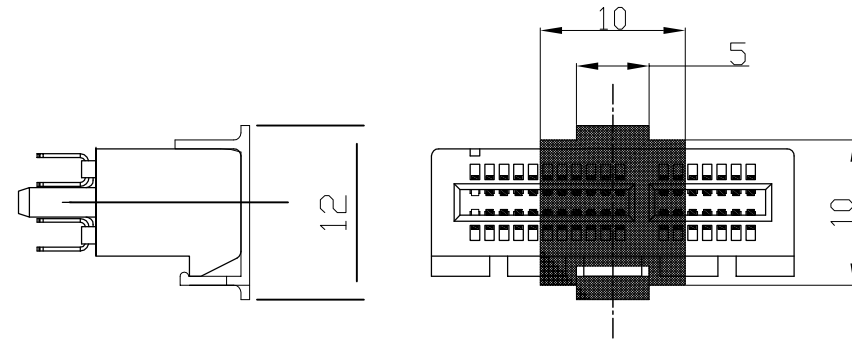
PACKAGING OPTIONS

- E-HARD TRAY WITH MYLAR FOR VACUUM PACKAGING (FOR 164P ONLY)
- T-SOFT TRAY PACKAGING
- C-SOFT TRAY PACKAGING WITH 10MM CAP
- M-SOFT TRAY PACKAGING & MYLAR TAPE. SEE FIGURE 1
- Y-HARD TRAY PACKAGING (FOR 36P,98P AND 164P ONLY)
- Z-HARD TRAY PACKAGING WITH MYLAR (FOR 36P,98P AND 164P ONLY)
- H-SMALLER HARD TRAY PACKAGING WITH 30MM CAP (323X136X17.7 FOR 164P ONLY)
- △ Q-SMALLER HARD TRAY PACKAGING (323X136X17.7 FOR 164P ONLY)
- R-TAPE & REEL PACKAGING WITHOUT MYLAR (FOR 34, 64, 98P ONLY)
- W-TAPE & REEL PACKAGING WITHOUT MYLAR (FOR 98P ONLY), WITH 18.0MM CAVITY WIDTH
- A-TAPE & REEL PACKAGING WITH MYLAR (FOR 36, 64, 98P ONLY)

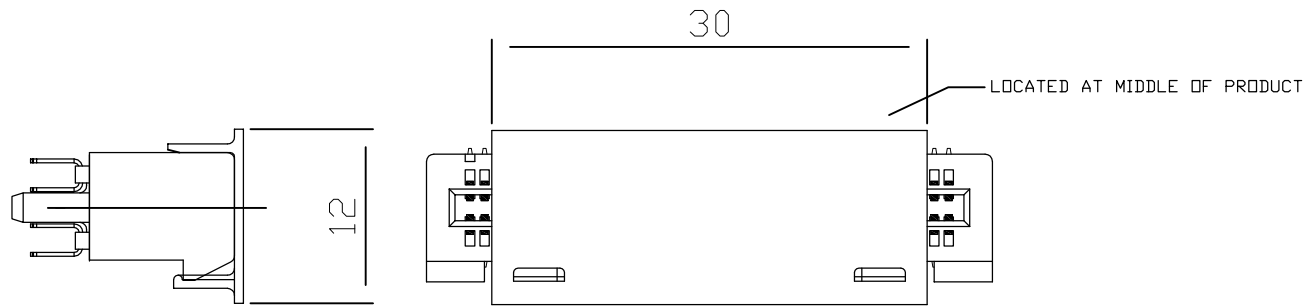
| | | | | | | | | | |
|-------------|--|----------|--|------------|--|------------|--|----------------------------|--|
| mat'l. code | | surface | | tolerance | | projection | | product family | |
| - | | - | | ASME_Y14.5 | | | | PCI_EXPRESS | |
| lfr | | ecn no | | dr | | date | | title | |
| | | | | | | | | PCI_EXPRESS_CARD_EDGE_GEN3 | |
| | | | | | | | | TH_ASS'Y | |
| | | | | | | | | dwg no | |
| | | | | | | | | sheet 6 of 7 | |
| | | | | | | | | size | |
| | | | | | | | | A4 | |
| | | | | | | | | type | |
| | | | | | | | | CUSTOMER Drawing | |
| sheet index | | revision | | H | | | | | |
| | | | | | | | | | |



POSTION OF MYLAR



POSTION OF CAP (10×10)



POSTION OF 30MM CAP(30X12)

| | | | | | | | | | |
|-------------|--|----------|--|------------|--|-------------|--|--|--|
| mat'l. code | | surface | | tolerance | | projection | | product family | |
| - | | - | | ASME_Y14.5 | | | | PCI_EXPRESS | |
| lfr | | ecn no | | dr | | date | | title | |
| | | | | | | | | PCI_EXPRESS_CARD_EDGE_GEN3 TH_ASS'Y | |
| | | | | angles | | | | dwg no | |
| | | | | ±2' | | scale N/A | | sheet 7 of 7 size | |
| | | | | dr | | ZHENHUA_LIU | | 2016-03-30 | |
| | | | | enfr | | ZHENHUA_LIU | | 2016-03-30 | |
| | | | | chr | | STONE_LI | | 2016-03-30 | |
| | | | | appd | | PM_ZHENG | | 2016-03-30 | |
| sheet | | revision | | H | | | | | |
| index | | sheet | | | | | | 10108777 | |
| | | | | | | | | CUSTOMER Drawing | |