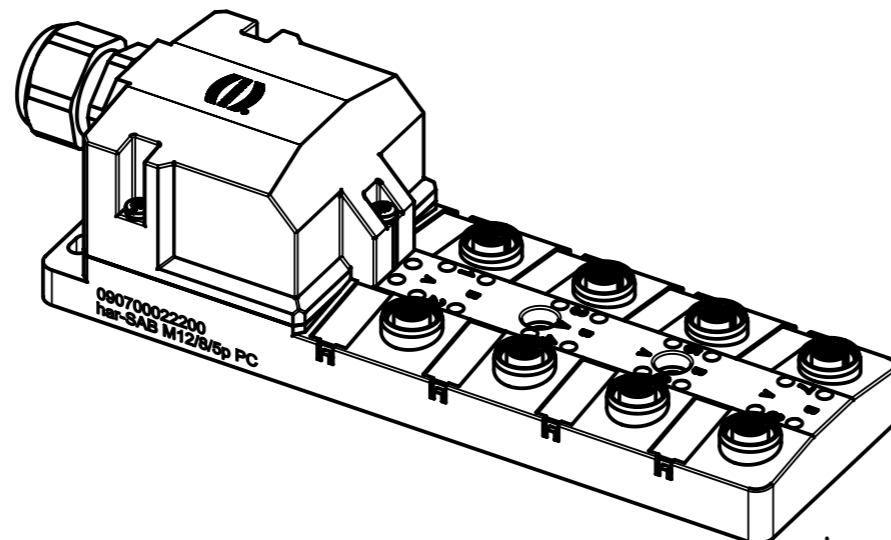


Electrical data:
-Rated voltage: 10-30V DC
-Nominal: 2 A per Contact
-Current: 12 A max total

- Protection level: IP 68
- Temperature range: -20°C...+80°C



All Dimensions in mm		Tech. Character.		Free size tol.		According to production drawing	
All rights reserved		Created by	Inspected by	Standardisation	Date	State	
Department HCS - RO		MUNTEANV	COSTEA	AVRAM	2017-06-15	Final Release	
HARTING Customised Solutions		Title har-SAB M12/8/5p PC				Doc-Key / ECM-Nr. 100689728/UGD/000/D 500000120947	
D-32427 Minden		Type	Number		Rev.	Page	
		TB	090700022200		D	1/1	

Mouser Electronics

Authorized Distributor

Click to View Pricing, Inventory, Delivery & Lifecycle Information:

[HARTING:](#)

[090700022200](#)