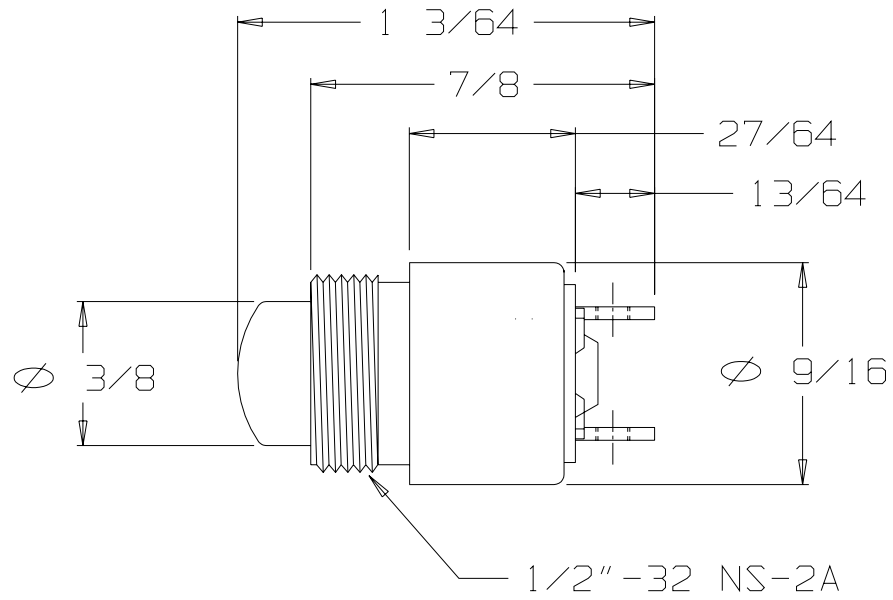


FOR REFERENCE ONLY

A NX201002B



STANDARD MOMENTARY SWITCH
 SPNO - SINGLE POLE NORMALLY OPEN
 BUTTON #2, COLOR BLACK

THIS DOCUMENT CONTAINS PROPRIETARY INFORMATION OF NEXUS, INCORPORATED AND SUCH INFORMATION MAY NOT BE DISCLOSED TO OTHERS FOR ANY PURPOSE OR USED FOR ANY PURPOSE WITHOUT THE WRITTEN CONSENT OF NEXUS.

DWN. BY EWT	DATE 5/18/05	MATERIAL N/A
CHECKED BY	DATE	FINISH N/A
APPR. BY	DATE	WEIGHT ——— SCALE 2:1
UNLESS OTHERWISE SPECIFIED DIMENSIONS ARE IN INCHES TOLERANCES ON		TITLE SWITCH MOMENTARY
.XX	.XXX ANGLES	
———	±.003 ±.5°	DO NOT SCALE DWG. SHEET 1 OF 1

**NEXUS
STAMFORD, CONN**

SIZE DWG. NO.
A NX201002B

A	INITIAL RELEASE		5/18/05	EWT
LET.	REVISION	CN #	DATE	CHK.