

Description

Miniaturised single pole press-to-reset cycling trip free thermal circuit breaker designed for automotive fuse block installation.

Extends the benefits of circuit breaker performance and convenience to applications which are cost critical. Colour-coded housing caps or manual release buttons available.

Version 1616 is available especially for the automotive industry (current ratings correspond to those of blade fuses).

US patent number: US 6,590,489 B1 (1610-H2)

Typical applications

Extra low voltage wiring systems on all types of vehicles and marine craft.

Ordering information

Type No.	Description							
1610	single pole automotive circuit breaker							
Voltage rating								
21	DC 24 V, with reset button							
H2	DC 24 V, with reset button and manual release facility							
92	DC 12 V, autoreset (type I to SAE J 553)							
Current ratings								
5	6	8	10	15	20	25	30 A	
1610 - 21 - 8 A		ordering example						

Please be informed that we have minimum ordering quantities to be observed.

Preferred types

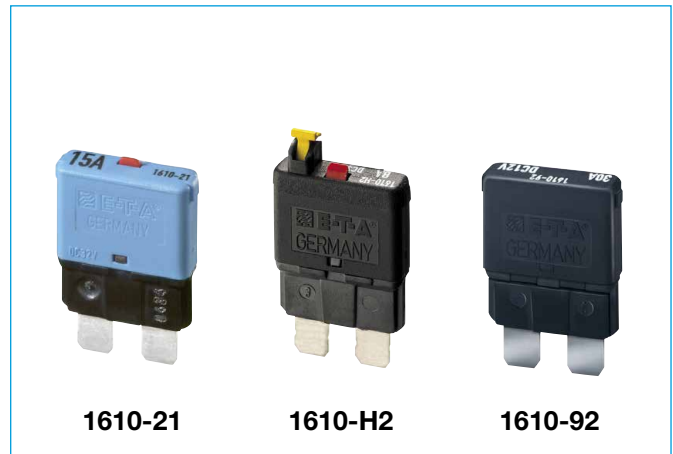
Preferred types	Standard current ratings (A)							
	5	6	8	10	15	20	25	30
1610-21-	x	x	x	x	x	x	x	x

Current ratings, typical voltage drop values and colour coding

Current rating (A)	Voltage drop (mV)	Actuator colour manual release (1610-H2) or housing cap colour (1610-21)
5	< 150	light-brown
6	< 150	green
8	< 150	golden yellow
10	< 150	red
15	< 150	blue
20	< 150	yellow
25	< 150	pearl
30	< 150	light-green

Approvals

Authority	Standard	Rated voltage	Current ratings
UL	UL 1500 Ignition Protected	DC 24 V	5 A...30 A



1610-21

1610-H2

1610-92

Technical data

For further details please see: www.e-t-a.de/ti_e

Voltage rating	1610-92: DC 12 V 1610-21/1610-H2: DC 12 V / DC 24 V
Max. voltage rating	1610-92 DC 14,5 V 1610-21/1610-H2 DC 32 V
Current ratings	5...30 A
Service short-circuit breaking capacity	300 operations at ≤ 50 A
Reset period for 1610-92 (at 23 °C)	≤ 15 s
Ambient temperature	-40...+85 °C (-40...+185 °F)
Degree of protection (IEC 60529/DIN 40050)	operating area IP30 (-21/-H2) operating area IP54 (-92) terminal area IP00
Ultimate short-circuit breaking capacity	≥ 3 break operations at 150 A, or ≥ 1 break operation at 2,000 A
Vibration (with mounting socket 12)	10 g (57-500 Hz) ± 0.38 mm (10-57 Hz) to IEC 60068-2-6, test Fc 10 frequency cycles/axis
Shock (with mounting socket 12)	50 g (11 ms) to IEC 60068-2-27, test Ea
Corrosion	96 hours at 5 % salt mist, to IEC 60068-2-11, test Ka
Humidity	240 hours at 95 % RH, to IEC 60068-2-78, test Cab
Mass	approx. 5 g

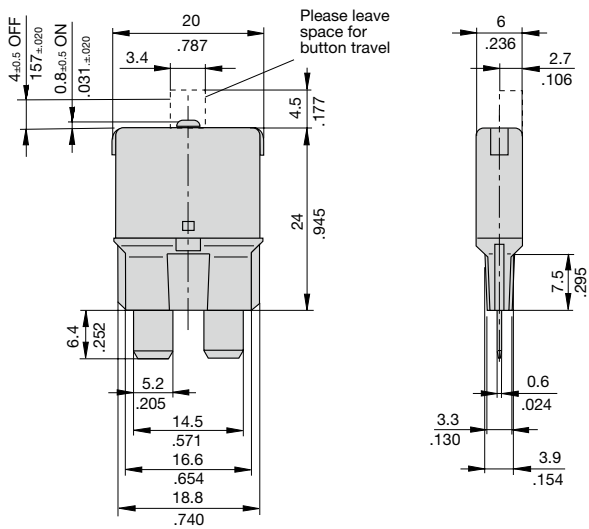
Caution:

It is good practice to switch off the vehicle's ignition system before re-setting the circuit breaker.

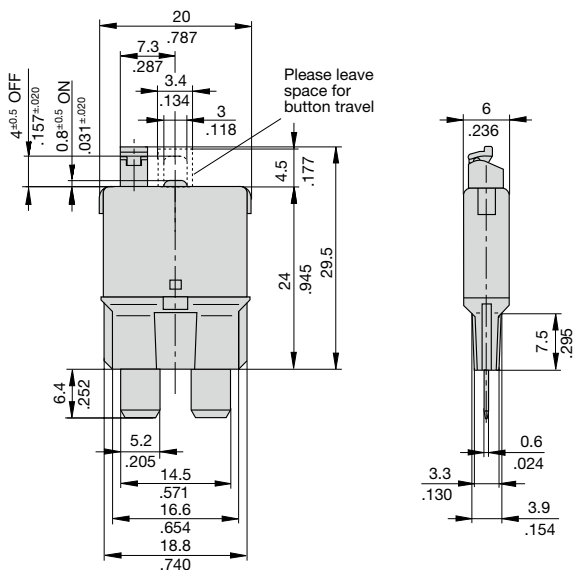
Free travel of the reset button must be ensured! Please ensure to push in the actuator smoothly and completely.

Dimensions

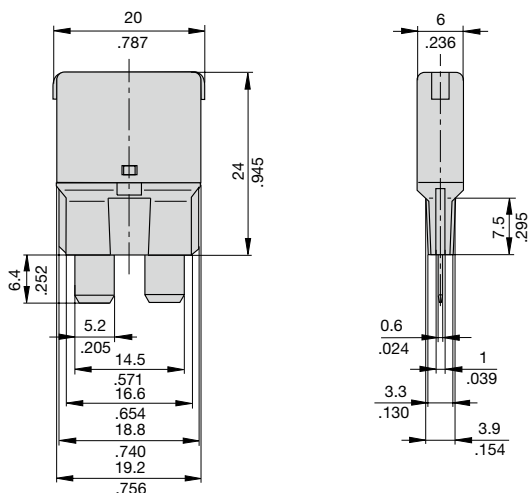
1610-21



1610-H2

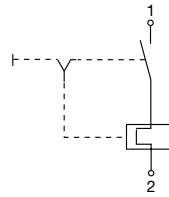


1610-92

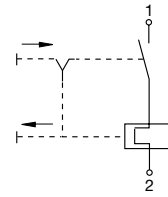


Internal connection diagrams

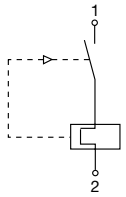
1610-21



1610-H2

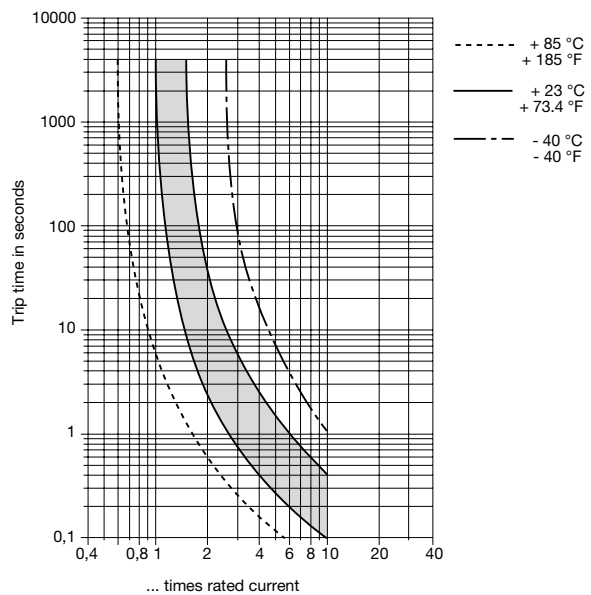


1610-92



Typical time/current characteristic curve

5...30 A



The time/current characteristic curve depends on the ambient temperature prevailing. In order to eliminate nuisance tripping, please multiply the circuit breaker current ratings by the derating factor shown below. See also section Technical information.

Ambient temperature °F	-40	-22	-4	+14	+32	+50
Ambient temperature °C	-40	-30	-20	-10	0	+10
Derating factor	0.73	0.78	0.82	0.86	0.91	0.95
Ambient temperature °F	+73.4	+104	+122	+140	+158	+185
Ambient temperature °C	+23	+40	+50	+60	+70	+85
Derating factor	1	1.09	1.16	1.25	1.33	1.43

This is a metric design and millimeter dimensions take precedence ($\frac{\text{mm}}{\text{inch}}$)

1