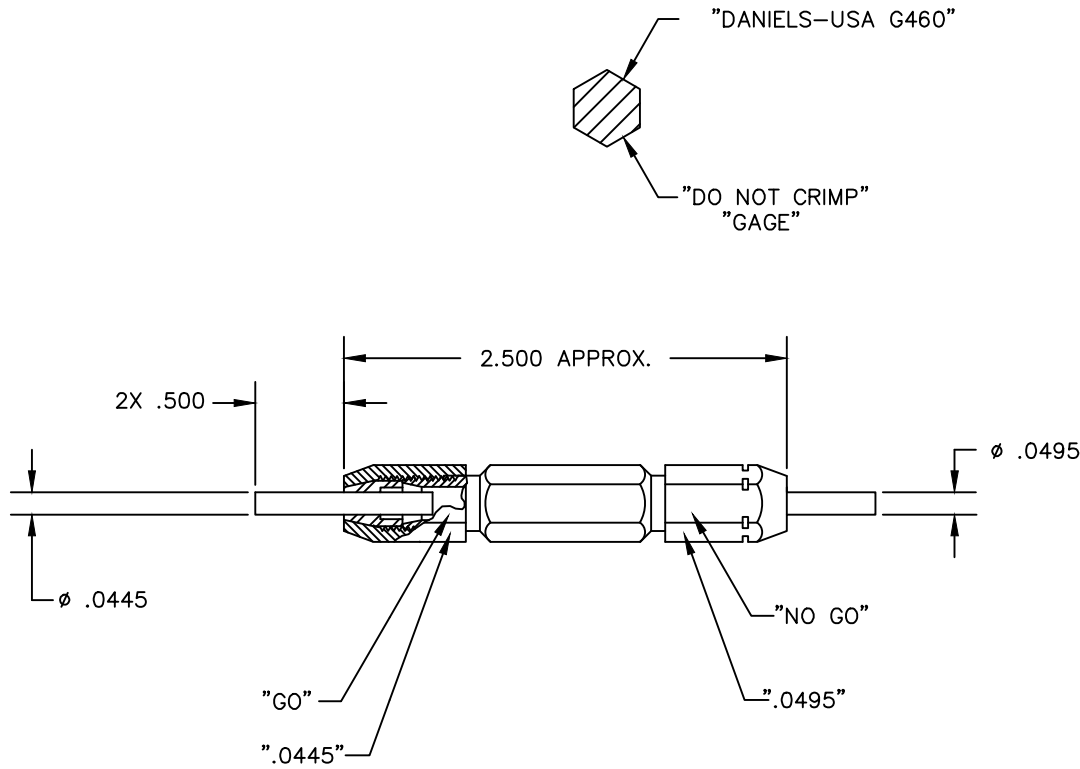



**UNCONTROLLED DOCUMENT
WILL NOT BE UPDATED**

DIMENSIONS IN INCHES - UNLESS OTHERWISE SPECIFIED

REVISIONS				
REV. SYM.	E.C.O. NUMBER	DESCRIPTION	BY DATE	APP'D DATE
1		ORIGINAL RELEASE	K. KOONS 4.22.15	



NOTES:

RESTRICTED & CONFIDENTIAL CONFIDENTIAL PROPERTY OF DANIELS MANUFACTURING CORP. NOT TO BE DISCLOSED TO OTHERS, REPRODUCED OR USED FOR ANY OTHER PURPOSE, EXCEPT AS AUTHORIZED IN WRITING BY DANIELS MANUFACTURING. MUST BE RETURNED TO DANIELS MANUFACTURING CORP. ON COMPLETION OF ORDER OR OTHER PURPOSE FOR WHICH LENT.	MATERIAL N/A	ITEM	PART NO.	QTY.	DESCRIPTION/REMARKS
	HEAT TREAT N/A	DRN. K. KOONS	DATE 4.22.15		 DANIELS MANUFACTURING CORP. ORLANDO, FLORIDA GAGE 11851
	FINISH N/A	CHK'D.	DATE	TITLE	
	DO NOT SCALE DRAWING		APP'D.	DATE	GO/NO-GO GAGE ENV. DRAWING
		NOTE: THIS DRAWING IS AN OUTLINE DRAWING OF THE RESPECTIVE DMC PART NUMBER INDICATED. ACTUAL DMC PART NUMBER IS DRAWING NUMBER WITHOUT THE "-ENV" SUFFIX		WHERE USED:	SIZE B SCALE NTS DWG. NO. G460-ENV SHEET 1 OF 1 P/N G460 REV. 1