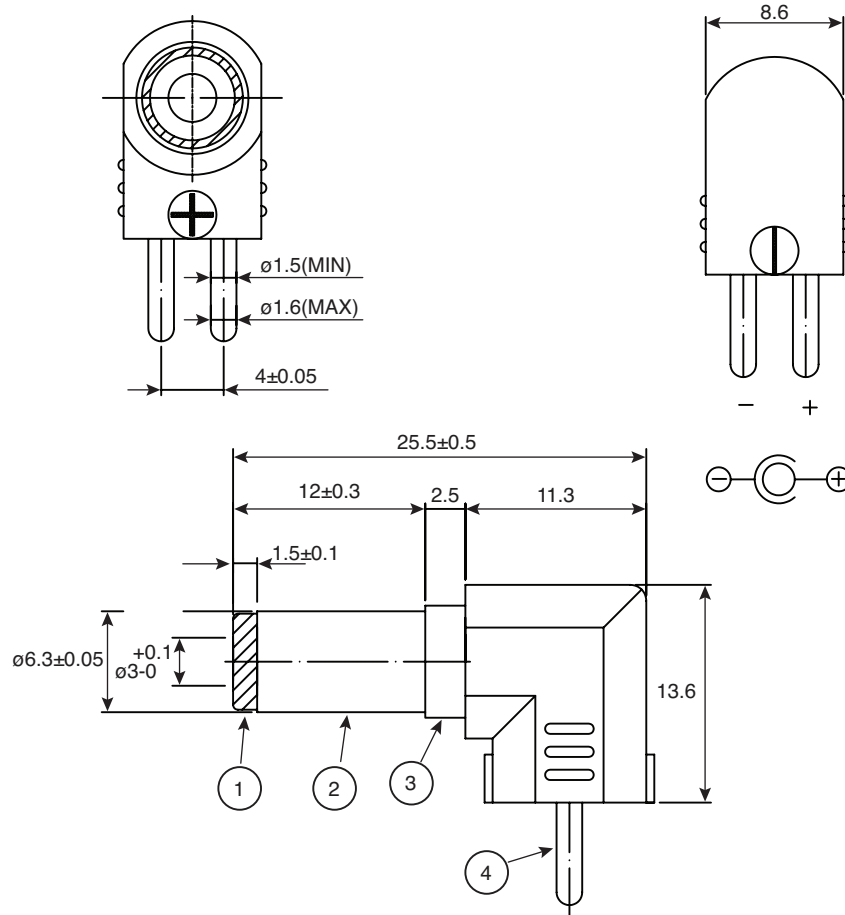


Right Angle DC Plug

173-6330TIP-EX



Right Angle DC Plug



DIMENSIONS: mm

No.	Material	Plating
1	ABS Yellow Green	---
2	Brass	Nickel
3	ABS Black	---
4	Brass	Nickel

RoHS Compliant by Exemption

Date Last Revised: 7/9/12

Available from Mouser Electronics
1-800-346-6873 / www.mouser.com

KC-301421

Specifications are subject to change without notice. No liability or warranty implied by this information. Environmental compliance based on producer documentation.

173-6330TIP-EX