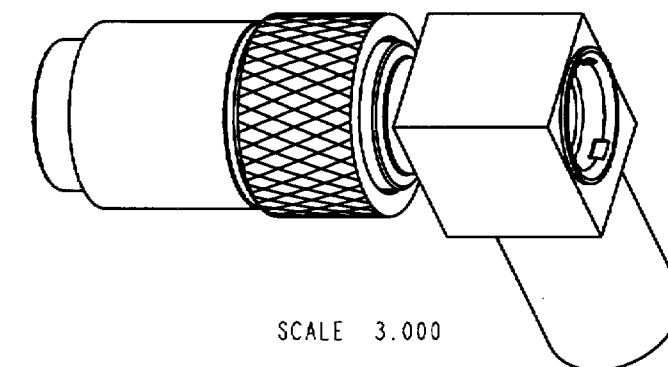
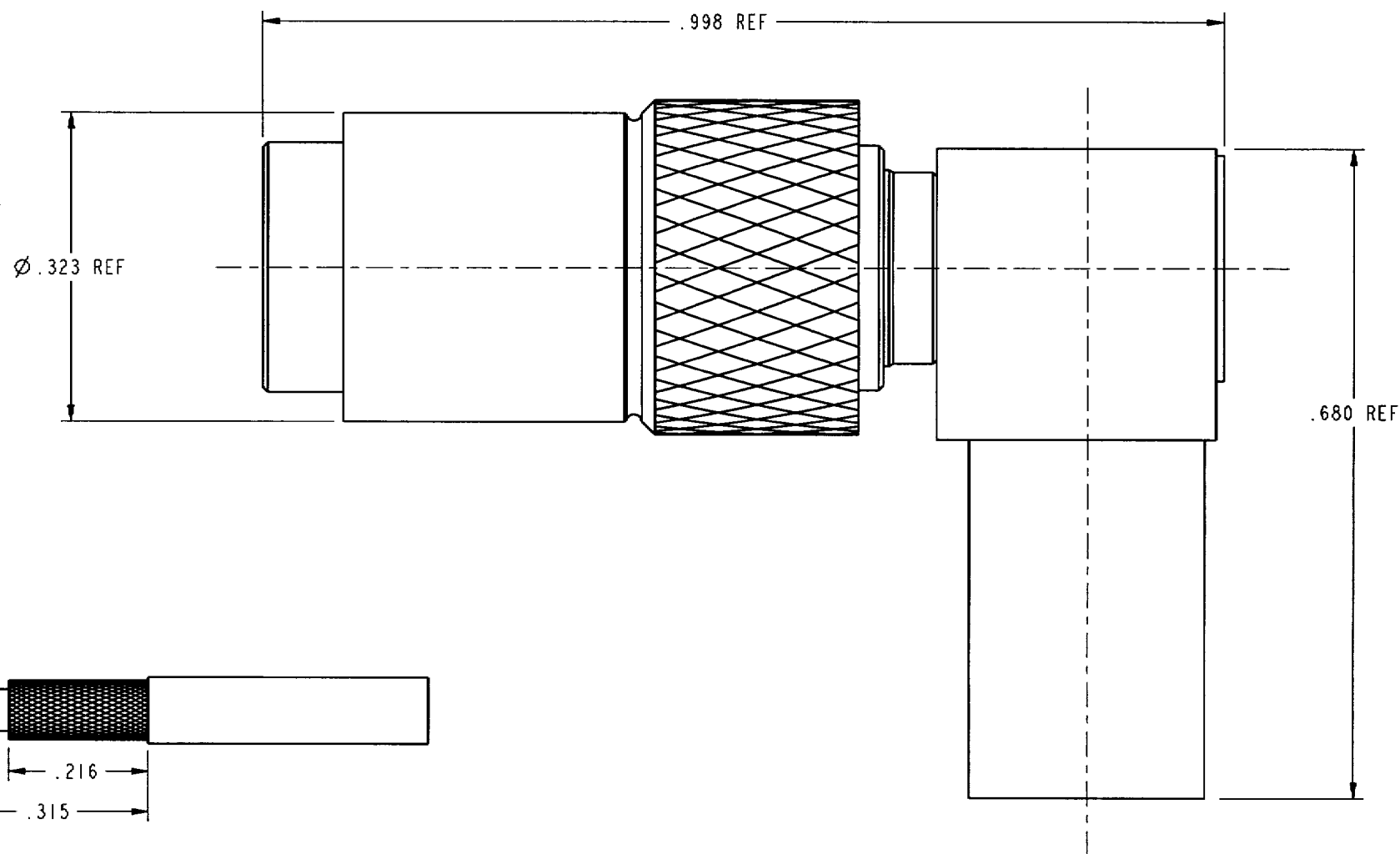


NOTES:

- DO NOT SCALE THIS DRAWING
- MATERIAL AND FINISH:
 CONTACT: BRASS, GOLD PLATED
 OUTER CONTACT: BERYLLIUM COPPER, GOLD PLATED
 INSULATION: PTFE
 OTHER METAL PARTS: BRASS, NICKEL PLATED,
- CRIMP USING TOOL 227-944, DIE 227-1221-11 (.213 HEX)

102-799-104		REVISIONS			
DRAWING NO.	REV	DESCRIPTION	DATE	ECO	APPR
THIRD ANGLE PROJ.	A	RELEASE TO MFG.	07/14/00	43431	C.A.
	B	SEE SHEET 1		43545	CPM
	C	SEE SHEET 1	01/25/01	43663	C.A.



TRIMMING DIMENSIONS
FOR RG-58 CABLE

CUSTOMER OUTLINE DRAWING
FOR REFERENCE ONLY

UNLESS OTHERWISE SPECIFIED, DIMENSIONS ARE IN INCHES AND TOLERANCES ARE: 2 PLACE DECIMAL ±.015 (0,381 mm) 3 PLACE DECIMAL ±.005 (0,127 mm) ANGLES ± 1°	MATERIAL	DRAWN CARLOS ATHERTON	DATE 11-Apr-00	TITLE 1.0/2.3 PUSH PULL RIGHT ANGLE PLUG FOR RG-58 CABLE	Amphenol Amphenol Corporation Communication and Network Products Division Danbury, CT U.S.A. 06810		
	REFERENCE EAR 967197 1 615X-1534-200	ENGINEER CARLOS ATHERTON	DATE 11-Apr-00			SCALE: 6.0:1 SHEET 2 OF 2	
NOTICE - These drawings, specifications, or other data (1) are, and remain the property of Amphenol Corp. (2) must be returned upon request; and (3) are confidential and not to be disclosed to any person other than those to whom they are given by Amphenol Corp. The furnishing of these drawings, specifications, or other data by Amphenol Corp., or to any other person to anyone for any purpose is not to be regarded by implication or otherwise in any manner licensing, granting rights or permitting such holder or any other person to manufacture, use or sell any product, process or design, patented or otherwise, that may in any way be related to or disclosed by said drawings, specifications, or other data.		APPROVED T. AUBIN	DATE 7/26/00	CODE ID 74868	DWG SIZE B	DRAWING NO. 102-799-104	REV C