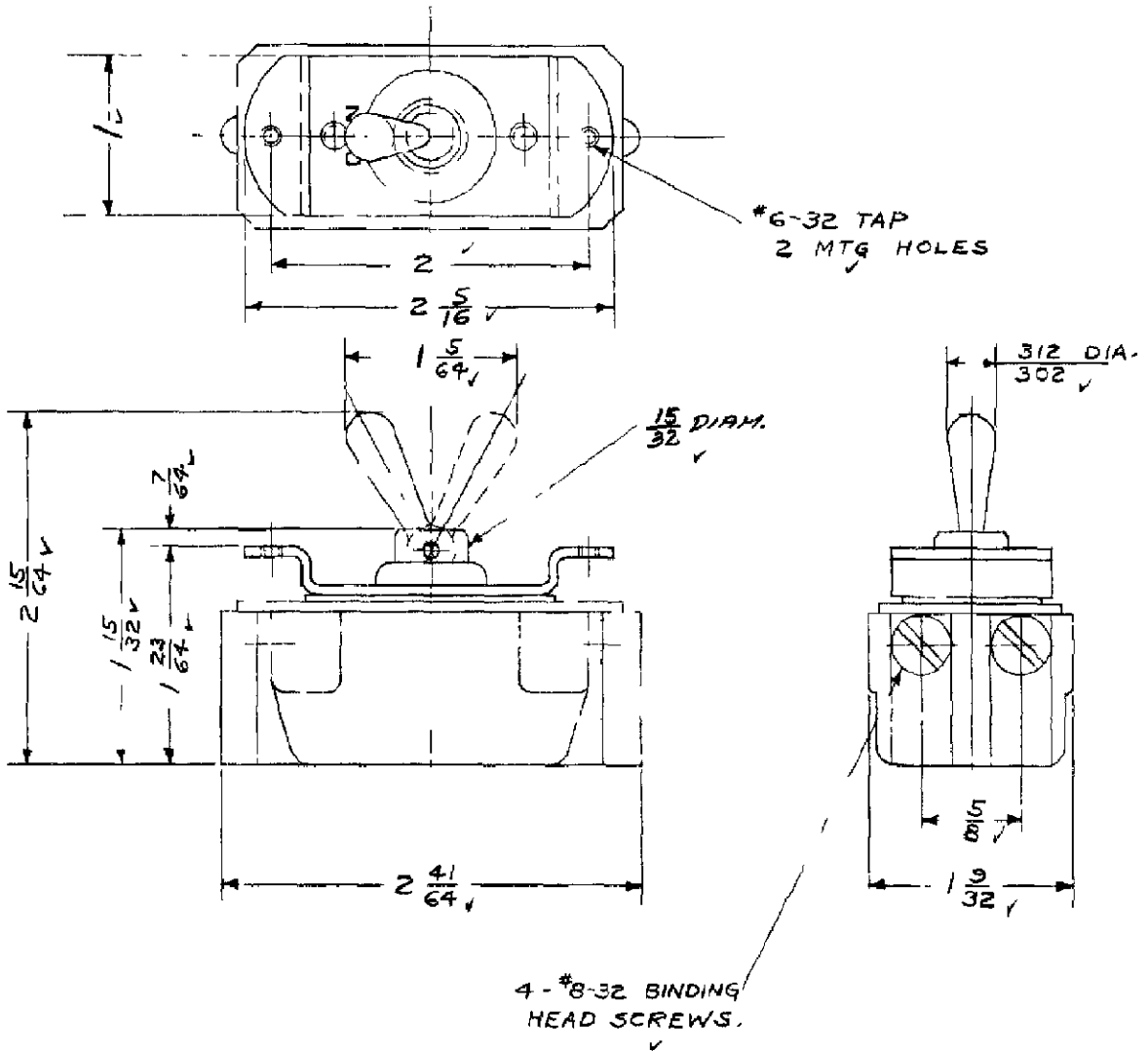


# A 90-348

RAW MAT SPEC WITH  
PART NO. AND AMOUNT REQ'D.



**BULLETIN**

**DIMENSIONS FOR 20 AMP, 250V. 3 HOLE MTG. TOOL HANDLE SWITCH**

A	2 7/16 DIA. WAS 1 5/32 DIA.	J.H.M. 3/26 10-2-45 UNK	DR E. P. Leonard 7/20/40	FIRST ASSEM. WHERE LISTED D 90-342
B	15/32 DIA. WAS 2 7/16 DIA.	DEV. 3140-102158 10-2-45 UNK	CHK. J. Raeh 10/4/40	SUP. S. NON-INTERCHANGEABLE
C		DEV. 3140-102237 10-2-45 UNK	APP. Geo. J. J. J. 10/5/40	SUP. D BY NON-INTERCHANGEABLE
D			DO NOT SCALE DRAWING. WORK ACCORDING TO DIMENSIONS.	SURFACE COATING
E			STANDARD TOLERANCES 80-879 APPLY TO DIMENSIONS FOR WHICH TOLERANCES ARE NOT SPECIFIED.	SCALE 1" = 1"
F			ORDER NO. DEV. 4041-10	<b>A 90-348</b>

CUTLER-HAMMER, INC. MILWAUKEE NEW YORK

FORM 4  
IMPERIAL NO. N 15315 CLOTH  
NOV 7 1940  
SCHILLER